



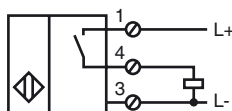
Model Number

NJ15+U1+DW1-1

Features

- Rotational speed controller
- 15 mm flush
- Start-up override time = approx. 30 s

Connection



Accessories

MH 04-2681F

Mounting aid for VariKont, +U1+ and +U9*

V1-M20-80

Receptacles, M12/M20; plastic version

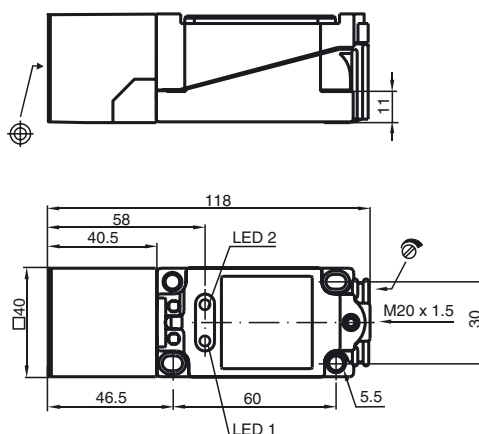
V1-G

4-pin, M12 female field-attachable connector

V1-W

4-pin, M12 female field-attachable connector

Dimensions



Technical Data

General specifications

Switching element function	PNP NO
Frequency range	0.1 ... 1 Hz, adjustable
Rated operating distance	s_n 15 mm
Installation	flush
Output polarity	DC
Assured operating distance	s_a 0 ... 12.15 mm
Reduction factor r_{Al}	0.4
Reduction factor r_{Cu}	0.3
Reduction factor r_{304}	0.85

Nominal ratings

Operating voltage	U_B 15 ... 60 V DC
Reverse polarity protected	reverse polarity protected
Short-circuit protection	pulsing
Voltage drop	$U_d \leq 2$ V
Operating current	I_L 0 ... 100 mA
No-load supply current	$I_0 \leq 25$ mA
Indication of the switching state	LED 1: yellow
Damping indicator	LED 2: yellow

Functional safety related parameters

MTTF _d	820 a
Mission Time (T_M)	20 a
Diagnostic Coverage (DC)	0 %

Ambient conditions

Ambient temperature	-25 ... 70 °C (-13 ... 158 °F)
---------------------	--------------------------------

Mechanical specifications

Connection type	screw terminals
Core cross-section	up to 2.5 mm ²
Housing material	PBT
Sensing face	PBT
Protection degree	IP67

Compliance with standards and directives

Standard conformity	
Standards	EN 60947-5-2:2007 IEC 60947-5-2:2007

Approvals and certificates

UL approval	cULus Listed, General Purpose
CSA approval	cCSAus Listed, General Purpose
CCC approval	Certified by China Compulsory Certification (CCC)