

DIAZED FUSE LINK 500V F.CABLE AND LINE PROTECTION GL, SIZE DIVH, P.T. R1 1/4",80A



Figure similar

Model		
product brand name		SENTRON
Product designation		DIAZED fuse
Design of the product		For cable and line protection
Design of the fuse link		DIAZED fuse link
General technical data		
Tripping characteristic class		Other
Size of fuse system / acc. to DIN EN 60269-1		DIV
Operating class of the fuse link		gG
circuit-breaker / Design		5SC2
Protection class		
Protection class IP		IP20, with connected conductors
Switching capacity		
Switching capacity current		
• for DC / acc. to IEC 60947-2 / Rated value	kA	8
• acc. to IEC 60947-2 / Rated value	kA	50
Dissipation		
Active power loss		
• for rated value of the current / with AC / in hot operating state / per pole	W	7.5
Electricity		
rated current I_n / IEC, DIN/VDE / at 40 Cel	A	76
Current / with AC / Rated value	A	80

Appearance

Color coding of the fuse link silver

Product details

Product description Using screw adapter or adapter sleeves

Mechanical Design

mounting position Any, preferably vertical

Environmental conditions

Ambient temperature

- minimum °C -5
- maximum °C 40
- during storage / Note Air humidity 90% at 20 °C

General Product Approval	Declaration of Conformity	Test Certificates	Shipping Approval	other
--------------------------	---------------------------	-------------------	-------------------	-------



GOST



EG-Konf.

[Type Test Certificates/Test Report](#)



GL

[Environmental Confirmations](#)

Further information

Information- and Downloadcenter (Catalogs, Brochures,...)

<http://www.siemens.com/lowvoltage/catalogs>

Industry Mall (Online ordering system)

<https://eb.automation.siemens.com/mall/en/WW/Catalog/Product/5SC211>

Service&Support (Manuals, Certificates, Characteristics, FAQs,...)

<http://support.automation.siemens.com/WW/view/en/5SC211/all>

Image database (product images, 2D dimension drawings, 3D models, device circuit diagrams, ...)

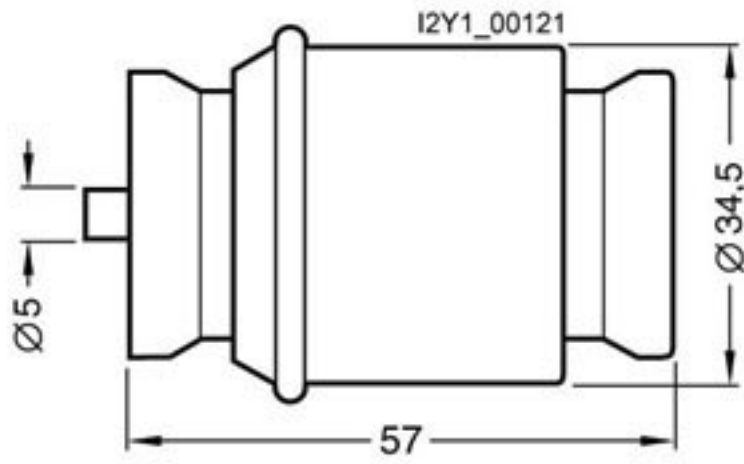
http://www.automation.siemens.com/bilddb/cax_en.aspx?mlfb=5SC211

CAX-Online-Generator

<http://www.siemens.com/cax>

Tender specifications

<http://ausschreibungstexte.siemens.com/tiplv>



last modified:

11.03.2015