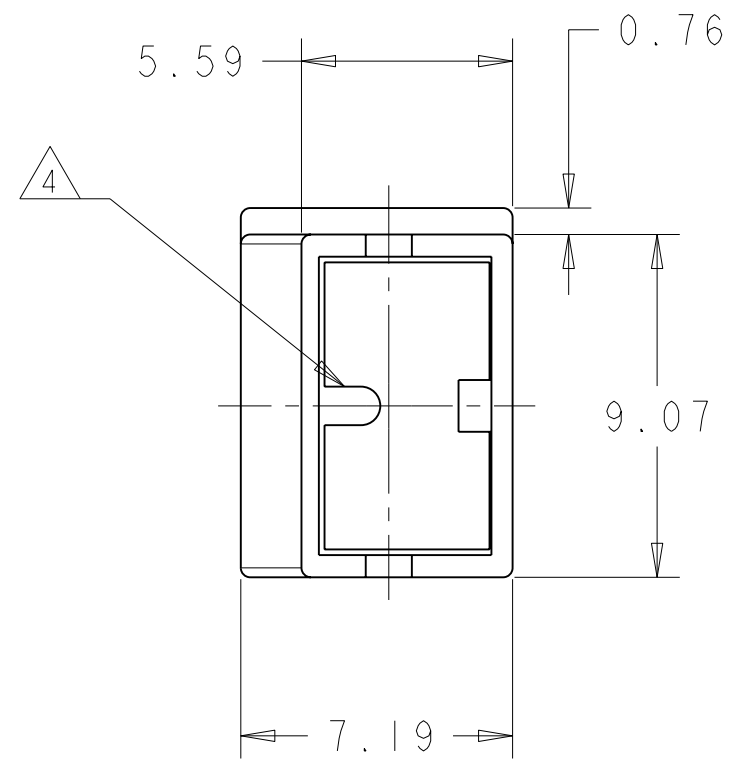
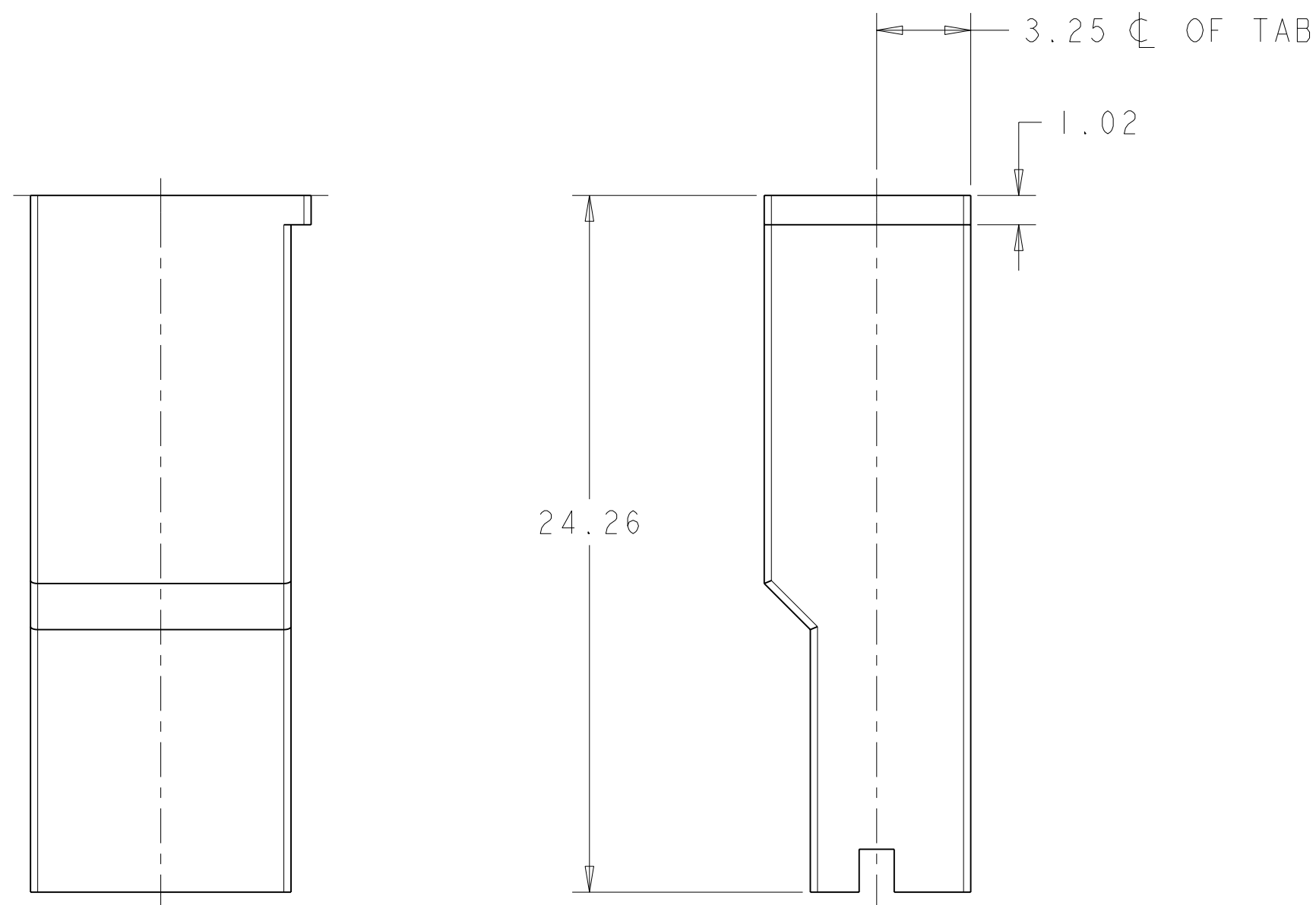


THIS DRAWING IS UNPUBLISHED. RELEASED FOR PUBLICATION 20
 © COPYRIGHT 20 y ALL RIGHTS RESERVED.

LOC	DIST	REVISIONS					
		P	LTR	DESCRIPTION	DATE	DWN	APVD
1R	-		AV	ECR-10-002350	01/02/10	MJG	JA
			AV1	ECR-10-022530	06JUN2011	KK	HMR
			AV2	TABLE UPDATED (ECR-11-018833)	13SEP2011	PKS	RRP



- NOTES:
- ① PA66 NATURAL MATERIAL ACC TO SPEC IEC 60335-1 GWT 750° WITHOUT FLAME
 - ② MOISTURISED PRODUCT FOR SMALL WIRE APPLICATIONS
 - ③ ONLY FOR USE WITH POST PLATED OR WASHED CONTACTS
 - ④ RIB MAY EXTEND TO FRONT OF HOUSING
 - ⑤ USING EQUIVALENT ALTERNATE MATERIAL

OBSOLETE

Notes	Part Number	Part Revision	Flammability Rating	Material	Colour
	8-154719-6	As Drg	UL 94 V0	PA 66	Orange
	8-154719-5	As Drg	UL 94 V2	PA 6/6 or Equivalent	Natural
	8-154719-4	As Drg	UL 94 V0	PA 66	Natural
	8-154719-3	As Drg.	UL 94 V0	PA 66/6	Terracotta
	8-154719-1	As Drg.	UL 94 V2	PA 6/6 or Equivalent	Black
	8-154719-0	As drg.	UL 94 V0	PA 6/6 or Equivalent	Clear
	7-154719-0	AE	UL 94 V0	PA 66	Orange (Ral 2000)
	6-154719-6	AB	UL 94 V2	PBT	Black
	5-154719-0	AB	UL 94 V0	PPE+PS	Orange
	4-154719-0	AA	UL 94 V0	PA 66	(Bk-59 Black)
	2-154719-0	AA	UL 94 V0	PPE+PS	Red
	1-154719-1	As Drg.	UL 94 V0	PA 6/6 or Equivalent	Natural
	1-154719-0	AE	UL 94 V0	PA 6/6 or Equivalent	Natural
	154719-9	As Drg.	UL 94 V2	PA 6/6 or Equivalent	Brown
	154719-6	As Drg.	UL 94 V2	PA 6/6 or Equivalent	Blue
	154719-5	As Drg.	UL 94 V2	PA 6/6 or Equivalent	Green
	154719-4	As Drg.	UL 94 V2	PA 6/6 or Equivalent	Yellow
	154719-2	As Drg.	UL 94 V2	PA 6/6 or Equivalent	Red
	154719-1	As Drg.	UL 94 V2	PA 6/6 or Equivalent	Natural
	154719	As. Drg.	UL 94 V2	PA 6/6 or Equivalent	Black

THIS DRAWING IS A CONTROLLED DOCUMENT.

DWN: A. J. BEKEN 09MAY2002
 CHK: S. CLAPPISON 09MAY2002
 APVD: S. CLAPPISON 09MAY2002

STE TE Connectivity

NAME: POSITIVE LOCK RECEPTACLE INSULATOR

SIZE: 108-3252
 APPLICATION SPEC: 114-2153

MATERIAL: See Table
 WEIGHT: 0.5g

SCALE: 5:1 SHEET 1 OF 1 REV: AV2