



 **GOYEN** SERIES 4

# PULSE JET VALVES

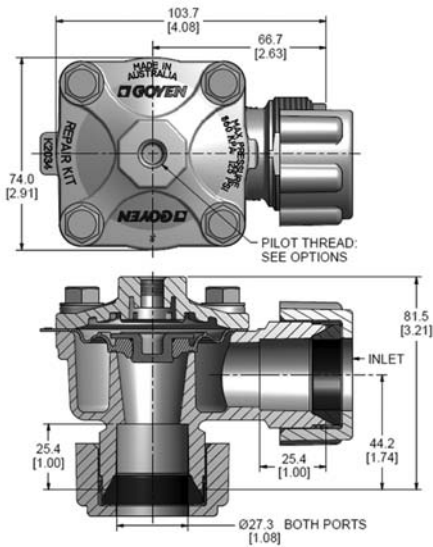
# RCAC20DD4

SERIES PULSE JET VALVES



## DIMENSIONS

(Dimensions in mm and [inches])



## DESCRIPTION

High-performance diaphragm valve with dresser nut ports. Equipped with 'Shockwave' springless diaphragm, the 4 series valves are available as remote pilot valves and may be converted to an integral pilot using either the RCA3DM or RCA3PV screw-in pilots. Outlet is at 90° to inlet.

## SUITABLE FOR

Dust collector applications, in particular for reverse pulse jet file cleaning and its variations, including bag filters, cartridge filters and envelope filters.

## CONSTRUCTION

**Body and Dresser Nuts:** Aluminium (diecast)

**Screws:** 302 Stainless steel

**Dresser Nut Seals:** Nitrile or Viton

**Diaphragm:** Proprietary high-performance engineering thermoplastic Elastomer

## OPERATION

**Recommended on time range:**  
50 to 500 ms

**Recommended time between pulses:**  
1 minute or greater

## MAINTENANCE

Diaphragm and pilot inspection should be conducted annually.

## APPROVALS

The RCAC20DD4 meets the requirements of the European Electromagnetic Compatibility (EMC) Directive 2004/108/EC and Low Voltage Directive 2006/95/EC, when fitted with the RCA3PV pilot.

**Please Note:** Pipes must be to Schedule 40 outside diameter.

SCHEDULE 40 SIZE	OD MM	OD INCHES
3/4"	26.67	1.05

## WEIGHTS

VALVE	KG (LB)
RCAC20DD4	0.52 (1.14)

## MAINTENANCE KITS

MODEL	NITRILE	SHOCKWAVE	VITON
<b>Diaphragm Kit</b> RCAC20DD4	N/A	K2034	K2033
<b>Dresser Seal Kit</b> RCAC20DD4	K2008	N/A	K2009

## PRODUCT CHARACTERISTICS AND PERFORMANCE

PORT SIZE MM (IN.)	NO. OF DIAPH.	FLOW KV (CV)	PRESSURE RANGE KPA (PSI)	TEMPERATURE RANGE °C (°F)	
				SHOCKWAVE	VITON SEALS
20 (3/4)	1	14 (17)	30(5) to 860(125)	-40(-40) to 82(179.6)	-29(-20.2) to 232(449.6)

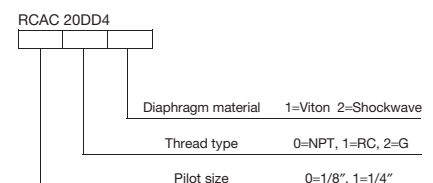
## Examples:

RCAC20DD4012  
3/4" dresser nut valve with 1/8" pilot,  
3/4" RC port threads,  
Shockwave diaphragm.

## Note:

1/8" Pilot available in NPT and RC Thread.  
1/4" Pilot is only available in G Thread.

## ORDER CODE



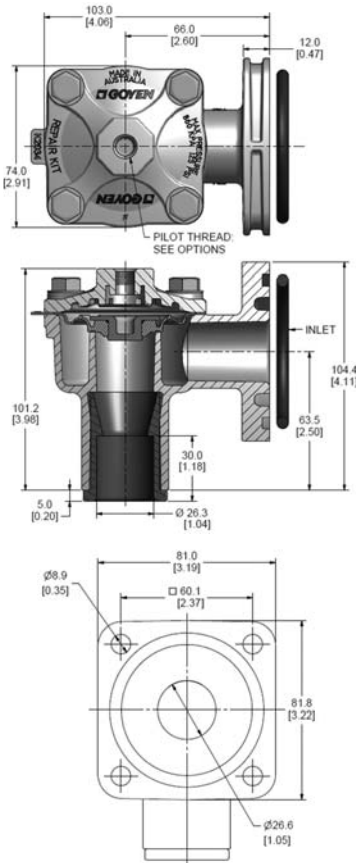
# RCAC20FS4

SERIES PULSE JET VALVES



## DIMENSIONS

(Dimensions in mm and [inches])



## DESCRIPTION

High-performance diaphragm valve with a flanged inlet port and slide seal outlet port. Equipped with 'Shockwave' springless diaphragm, the 4 series valves are available as remote pilot valves and may be converted to integral pilot using either the RCA3DM or RCA3PV screw-in pilots. Outlet is at 90° to inlet. The FS valve range features a larger diameter inlet providing higher

performance than the DD, T or ST body styles.

## SUITABLE FOR

Dust collector applications, in particular for reverse pulse jet filter cleaning and its variations including bag filters, cartridge filters and envelope filters.

## CONSTRUCTION

**Body and Dresser Nuts:** Aluminium (diecast)

**Screws:** 302 Stainless steel

**Dresser Nut Seals:** Nitrile or Viton

**Diaphragm:** Proprietary high-performance engineering thermoplastic Elastomer

**Please Note:** Pipes must be to Schedule 40 outside diameter.

SCHEDULE 40 SIZE	OD MM	OD INCHES
3/4"	26.67	1.05

## WEIGHTS

VALVE	KG (LB)
RCAC20FS4	0.51 (1.12)

## MAINTENANCE KITS

MODEL	NITRILE	SHOCKWAVE	VITON
<b>Diaphragm Kit</b>			
RCAC20FS4	N/A	K2034	K2033
<b>20FS4 Outlet Seal</b>			
RCAC20FS4	G690338	N/A	G690338-2

## PRODUCT CHARACTERISTICS AND PERFORMANCE

PORT SIZE MM (IN.)	NO. OF DIAPH.	FLOW KV (CV)	PRESSURE RANGE KPA (PSI)	TEMPERATURE RANGE °C (°F)	
				SHOCKWAVE	VITON SEALS
20 (3/4)	1	19 (26)	30(5) to 860(125)	-40[-40] to 82(179.6)	-29[-20.2] to 232(449.6)

## Examples:

RCAC20FS4012  
3/4" FS valve with 1/8" pilot, 1/8" RC pilot port threads, Shockwave diaphragm."

## Note:

1/8 Pilot available in NPT and RC Thread.  
1/4 Pilot is only available in G Thread.

## OPERATION

**Recommended on time range:**

50 to 500 ms

**Recommended time between pulses:**

1 minute or greater

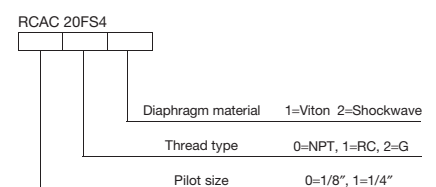
## MAINTENANCE

Diaphragm and pilot unit inspection should be conducted annually.

## APPROVALS

The RCAC20FS4 meets the requirements of the European Electromagnetic Com-patibility (EMC). Directive 2004/108/EC and Low Voltage Directive 2006/95/EC, when fitted with the RCA3PV pilot.

## ORDER CODE



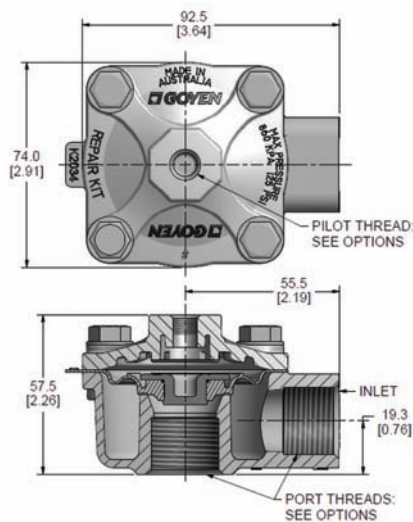
# RCAC20T4

SERIES PULSE JET VALVES



## DIMENSIONS

(Dimensions in mm and [inches])



## DESCRIPTION

High-performance diaphragm valve with threaded ports. Equipped with 'Shockwave' springless diaphragm, the 4 series valves are available as remote pilot valves and may be converted to an integral pilot using either the RCA3DM or RCA3PV screw-in pilots. Outlet is at 90° to inlet.

## SUITABLE FOR

Dust collector applications, in particular for reverse pulse jet filter cleaning and its variations including bag filters, cartridge filters and envelope filters.

## CONSTRUCTION

**Body:** Aluminium (diecast)

**Screws:** 302 Stainless steel

**Seals:** Nitrile or Viton

**Diaphragm:** Proprietary high-performance engineering thermoplastic Elastomer

## OPERATION

**Recommended on time range:** 50 to 500 ms

**Recommended time between pulses:** 1 minute or greater

**Please Note:** Pipes must be to Schedule 40 outside diameter.

SCHEDULE 40 SIZE	OD MM	OD INCHES
3/4"	26.67	1.05

## WEIGHTS

VALVE	KG (LB)
RCAC20T4	0.31 (0.68)

## MAINTENANCE KITS

MODEL	NITRILE	SHOCKWAVE	VITON
<b>Diaphragm Kit</b>			
RCAC20T4	N/A	K2034	K2033

## PRODUCT CHARACTERISTICS AND PERFORMANCE

PORT SIZE MM (IN.)	NO. OF DIAPH.	FLOW KV (CV)	PRESSURE RANGE KPA (PSI)	TEMPERATURE RANGE °C (°F)	
				SHOCKWAVE	VITON SEALS
20 (3/4)	1	14 (17)	30(5) to 860(125)	-40(-40) to 82(179.6)	-29(-20.2) to 232(449.6)

## Examples:

RCAC20T4012

3/4" threaded valve with 1/8" pilot, 3/4" RC port threads, Shockwave diaphragm.

## Note:

1/8" Pilot available in NPT and RC Thread.

1/4" Pilot is only available in G Thread.

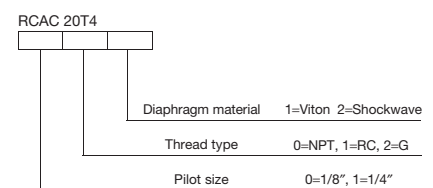
## MAINTENANCE

Diaphragm and pilot unit inspection should be conducted annually.

## APPROVALS

The RCAC20T4 meets the requirements of the European Electromagnetic Compatibility (EMC). Directive 2004/108/EC and Low Voltage Directive 2006/95/EC, when fitted with the RCA3PV pilot.

## ORDER CODE



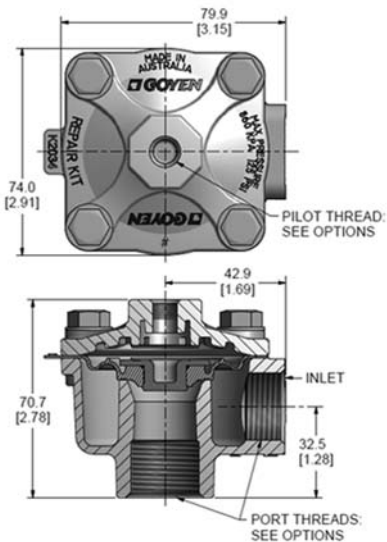
# RCAC20ST4

SERIES PULSE JET VALVES



## DIMENSIONS

(Dimensions in mm and [inches])



## DESCRIPTION

High-performance diaphragm valve with short threaded ports. Equipped with 'Shockwave' springless diaphragm, the 4 series valves are available as remote pilot valves and may be converted to an integral pilot using either the RCA3DM or RCA3PV screw-in pilots. Outlet is at 90° to inlet.

## SUITABLE FOR

Dust collector applications, in particular for reverse pulse jet filter cleaning and its variations including bag filters, cartridge filters and envelope filters.

## CONSTRUCTION

**Body:** Aluminium (diecast)

**Screws:** 302 Stainless steel

**Seals:** Nitrile or Viton

**Diaphragm:** Proprietary high-performance engineering thermoplastic Elastomer

## OPERATION

**Recommended on time range:** 50 to 500 ms

**Recommended time between pulses:** 1 minute or greater

**Please Note:** Pipes must be to Schedule 40 outside diameter.

SCHEDULE 40 SIZE	OD MM	OD INCHES
3/4"	26.67	1.05

## WEIGHTS

VALVE	KG (LB)
RCAC20ST4	0.30 (0.66)

## MAINTENANCE KITS

MODEL	NITRILE	SHOCKWAVE	VITON
Diaphragm Kit RCAC20ST4	N/A	K2034	K2033

## PRODUCT CHARACTERISTICS AND PERFORMANCE

PORT SIZE MM (IN.)	NO. OF DIAPH.	FLOW KV (CV)	PRESSURE RANGE KPA (PSI)	TEMPERATURE RANGE °C (°F)	
				SHOCKWAVE	VITON SEALS
20 (3/4)	1	14 (17)	30(5) to 860(125)	-40(-40) to 82(179.6)	-29(-20.2) to 232(449.6)

## Examples:

RCAC20ST4012

3/4" threaded valve with 1/8" pilot, 3/4" RC port threads, Shockwave diaphragm.

## Note:

1/8" Pilot available in NPT and RC Thread.

1/4" Pilot is only available in G Thread.

## MAINTENANCE

Diaphragm and pilot unit inspection should be conducted annually.

## APPROVALS

The RCAC20ST4 meet the requirements of the European Electromagnetic Compatibility (EMC). Directive 2004/108/EC and Low Voltage Directive 2006/95/EC, when fitted with the RCA3PV pilot.

## ORDER CODE

RCAC 20ST4	
Diaphragm material	1=Viton 2=Shockwave
Thread type	0=NPT, 1=RC, 2=G
Pilot size	0=1/8", 1=1/4"

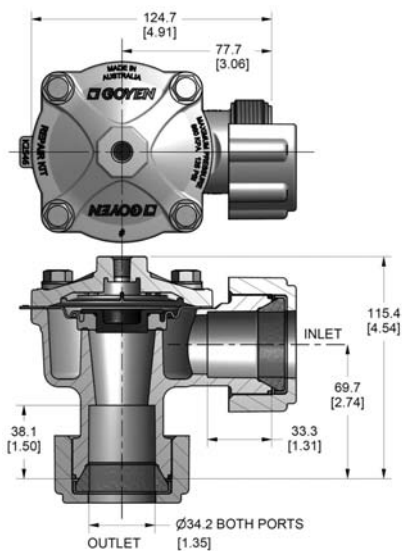
# RCAC25DD4

SERIES PULSE JET VALVES



## DIMENSIONS

(Dimensions in mm and [inches])



## DESCRIPTION

High-performance diaphragm valve with dresser nut ports. Equipped with 'Shockwave' springless diaphragm, the 4 series valves are available as remote pilot valves and may be converted to integral pilot using either the RCA3DM or RCA3PV screw-in pilots. Outlet is at 90° to inlet.

## SUITABLE FOR

Dust collector applications, in particular for reverse pulse jet filter cleaning and its variations including bag filters, cartridge filters and envelope filters.

## CONSTRUCTION

**Body and Dresser Nuts:**  
Aluminium (diecast)

**Screws:** 302 Stainless steel

**Dresser Nut Seals:** Nitrile or Viton

**Diaphragm:** High-performance engineering thermoplastic Elastomer

## OPERATION

**Recommended on time range:**  
50 to 500 ms

**Recommended time between pulses:** 1 minute or greater

**Please Note:** Pipes must be to Schedule 40 outside diameter.

SCHEDULE 40 SIZE	OD MM	OD INCHES
1"	33.4	1.315

## WEIGHTS

VALVE	KG (LB)
RCAC25DD4	0.96 (2.12)

## MAINTENANCE KITS

MODEL	NITRILE	SHOCKWAVE	VITON
<b>Diaphragm Kit</b> RCAC25DD4	N/A	K2546	K2551
<b>Dresser Seal Kit</b> RCA25DD	K2508	N/A	K2507

## PRODUCT CHARACTERISTICS AND PERFORMANCE

PORT SIZE MM (IN.)	NO. OF DIAPH.	FLOW KV (CV)	PRESSURE RANGE KPA (PSI)	TEMPERATURE RANGE °C (°F)	
				SHOCKWAVE	VITON SEALS
25 (1)	1	22.5 [26.0]	30(5) to 860(125)	-40(-40) to 82(179.6)	-29(-20.2) to 232(449.6)

## Examples:

RCAC25DD4012  
1" dresser nut valve with 1/8" pilot,  
1" RC port threads, Shockwave  
diaphragm.

## Note:

1/8" Pilot available in NPT and RC Thread.  
1/4" Pilot is only available in G Thread.

## MAINTENANCE

Diaphragm and pilot inspection should be conducted annually.

## APPROVALS

The RCAC25DD4 meets the requirements of the European Electromagnetic Compatibility (EMC). Directive 2004/108/EC and Low Voltage Directive 2006/95/EC, when fitted with the RCA3PV pilot.

## ORDER CODE

RCAC 25DD4			
		Diaphragm material	1=Viton 2=Shockwave
		Thread type	0=NPT, 1=RC, 2=G
		Pilot size	0=1/8", 1=1/4"

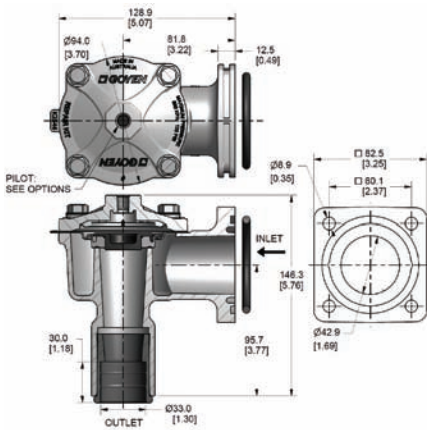
# RCAC25FS4

SERIES PULSE JET VALVES



## DIMENSIONS

(Dimensions in mm and [inches])



## DESCRIPTION

High-performance diaphragm valve with a flanged inlet port and slide seal outlet port. Equipped with 'Shockwave' springless diaphragm, the 4 series valves are available as remote pilot valves and may be converted to integral pilot using either the RCA3DM or RCA3PV screw-in pilots. Outlet is at 90° to inlet. The FS valve range features a larger diameter inlet providing higher performance than the DD or T body styles.

## SUITABLE FOR

Dust collector applications, in particular for reverse pulse jet filter cleaning and its variations including bag filters, cartridge filters and envelope filters.

## CONSTRUCTION

**Body:** Aluminium (diecast)

**Screws:** 302 Stainless steel

**Seals:** Nitrile or Viton

**Diaphragm:** Proprietary high-performance engineering thermoplastic Elastomer

## OPERATION

**Recommended on time range:** 50 to 500 ms

**Recommended time between pulses:** 1 minute or greater

**Please Note:** Pipes must be to Schedule 40 outside diameter.

SCHEDULE 40 SIZE	OD MM	OD INCHES
1"	33.4	1.315

## WEIGHTS

VALVE	KG (LB)
RCAC25FS4	0.85 (1.87)

## MAINTENANCE KITS

MODEL	NITRILE	SHOCKWAVE	VITON
<b>Diaphragm Kit</b> RCAC25FS4	N/A	K2546	K2551
<b>FS Outlet Seal</b> RCAC25FS4	G690763	N/A	G690763-2

## PRODUCT CHARACTERISTICS AND PERFORMANCE

PORT SIZE MM (IN.)	NO. OF DIAPH.	FLOW KV (CV)	PRESSURE RANGE KPA (PSI)	TEMPERATURE RANGE °C (°F)	
				SHOCKWAVE	VITON SEALS
25 (1)	1	34 (40)	30(5) to 860(125)	-40[-40] to 82(179.6)	-29[-20.2] to 232[449.6]

## Examples:

RCAC25FS4012

1" FS valve with 1/8" pilot, 1/8" RC pilot port threads, Shockwave diaphragm.

## Note:

1/8" Pilot available in NPT and RC Thread.

1/4" Pilot is only available in G Thread.

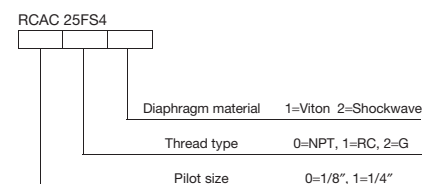
## MAINTENANCE

Diaphragm and pilot unit inspection should be conducted annually.

## APPROVALS

The RCAC25FS4 meets the requirements of the European Electromagnetic Compatibility (EMC). Directive 2004/108/EC and Low Voltage Directive 2006/95/EC, when fitted with the RCA3PV pilot.

## ORDER CODE



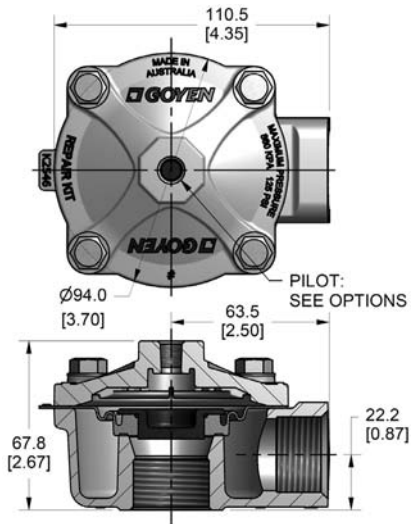
# RCAC25T4

SERIES PULSE JET VALVES



## DIMENSIONS

(Dimensions in mm and [inches])



## DESCRIPTION

High-performance diaphragm valve with threaded ports. Equipped with 'Shockwave' springless diaphragm, the 4 series valves are available as remote pilot valves and may be converted to integral pilot using either the RCA3DM or RCA3PV screw-in pilots. Outlet is at 90° to inlet.

## SUITABLE FOR

Dust collector applications, in particular for reverse pulse jet filter cleaning and its variations including bag filters, cartridge filters and envelope filters.

## CONSTRUCTION

**Body:** Aluminium (diecast)

**Screws:** 302 Stainless steel

**Seals:** Nitrile or Viton

**Diaphragm:** Proprietary high-performance engineering thermoplastic Elastomer

## OPERATION

**Recommended on time range:** 50 to 500 ms

**Recommended time between pulses:** 1 minute or greater

**Please Note:** Pipes must be to Schedule 40 outside diameter.

SCHEDULE 40 SIZE	OD MM	OD INCHES
1"	33.4	1.315

## WEIGHTS

VALVE	KG (LB)
RCAC25T4	0.56 (1.23)

## MAINTENANCE KITS

MODEL	NITRILE	SHOCKWAVE	VITON
<b>Diaphragm Kit</b>			
RCAC25T4	N/A	K2546	K2551

## PRODUCT CHARACTERISTICS AND PERFORMANCE

PORT SIZE MM (IN.)	NO. OF DIAPH.	FLOW KV (CV)	PRESSURE RANGE KPA (PSI)	TEMPERATURE RANGE °C (°F)	
				SHOCKWAVE	VITON SEALS
25 (1)	1	24 (27)	30(5) to 860(125)	-40(-40) to 82(179.6)	-29(-20.2) to 232(449.6)

## Examples:

RCAC25T4012

1" threaded port valve with 1/8" pilot, 1" RC port threads, Shockwave diaphragm.

## Note:

1/8" Pilot available in NPT and RC Thread.

1/4" Pilot is only available in G Thread.

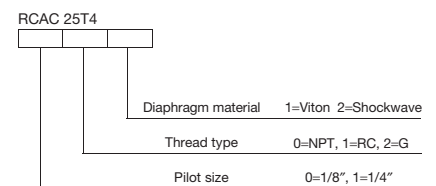
## MAINTENANCE

Diaphragm and pilot unit inspection should be conducted annually.

## APPROVALS

The RCAC25T4 meets the requirements of the European Electromagnetic Compatibility (EMC). Directive 2004/108/EC and Low Voltage Directive 2006/95/EC, when fitted with the RCA3PV pilot.

## ORDER CODE





# RCA3DM

PILOT VALVE OPTIONS FOR INTEGRAL PILOT (CA) APPLICATIONS



## FOR INTEGRAL PILOT (CA) APPLICATIONS:

The **RCA3DM** is a pilot valve with an integral silencer and dust shroud which mounts directly (screw-in) to the 4 series valve cover. The **Dimensional diagrams can be found on Page 11** of this brochure.

RCA3DM and RCA3PV are suitable piloting options for all 4 Series valves and the RCA35T diaphragm valve.

## CONSTRUCTION

**Encapsulation:** PA-6

**C-Frame:** Mild steel, zinc passivated

**Bobbin:** PA-6

**Insulation class:** B/130°C

**IP Rating:** IP64

**Rating:** Non-continuous use only

**Clip:** Mild steel (mechanically plated)

## OPERATION

**Recommended on time range:** 50 to 500 ms

**Recommended time between pulses:** 1 minute or greater

## CERTIFICATION AND CONFORMITIES

- C-Tick
- EMC (89/336/CE)
- LV
- CSA

## SPARE PARTS:

K0380 – Kit includes Nitrile replacement seal, armature, spring and ferrule.

K0384 – Kit includes Viton replacement seal, armature, spring and ferrule.

## PRODUCT PERFORMANCE

FLOW	MAXIMUM WORKING PRESSURE	MINIMUM WORKING PRESSURE	TEMPERATURE MIN.	TEMPERATURE MAX.	FLUID MEDIA
0.32 Cv	860 kPa	0 kPa	-40°C	82°C	Air or
0.27 Kv	125 psi	0 psi	-40°F	180°F	inert gas

## HOW TO ORDER

Part Code	RCA3DM-301
Valve Type	RCA – Pilot valve – Remote-controlled air
Pilot Size	3 – 1/8" Pipe thread
Body Style	DM – Male inlet, R 1/8" thread, suits all Series 4 RCAC valves
Coil Series	3 – Goyen 'Q' coil

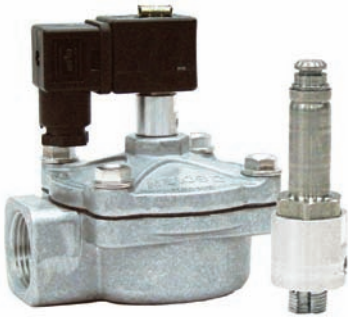
## ORDER CODE AND ELECTRICAL CHARACTERISTICS

MODEL	CONNECTION TYPE	PROTECTION CLASS	VOLTAGE	POWER
300	DIN 43650A	IP64	200/240 V 50/60 Hz	23.1 VA
301	DIN 43650A	IP64	100/120 V 50/60 Hz	19.8 VA
302	DIN 43650A	IP64	24 V 50/60 Hz	23.1 VA
303	DIN 43650A	IP64	110 V DC	24 W
304	DIN 43650A	IP64	48 V DC	20 W
305	DIN 43650A	IP64	24 V DC	20 W
306	DIN 43650A	IP64	12 V DC	20 W
310	Conduit (M20 × 1.5)	IP31	200/240 V 50/60 Hz	23.1 VA
311	Conduit (M20 × 1.5)	IP31	100/120 V 50/60 Hz	19.8 VA
312	Conduit (M20 × 1.5)	IP31	24 V 50/60 Hz	23.1 VA
313	Conduit (M20 × 1.5)	IP31	24 V DC	20 W
314	Conduit (M20 × 1.5)	IP31	12 V DC	20 W
320	Conduit (1/2" NPSC)	IP31	200/240 V 50/60 Hz	23.1 VA
321	Conduit (1/2" NPSC)	IP31	100/120 V 50/60 Hz	19.8 VA
322	Conduit (1/2" NPSC)	IP31	24 V 50/60 Hz	23.1 VA
323	Conduit (1/2" NPSC)	IP31	24 V DC	20 W
324	Conduit (1/2" NPSC)	IP31	12 V DC	20 W

Please refer to page 3 of the Pilot Valves and Nema 4 Enclosures catalogue for replacement coil options.

# RCA3PV

## PILOT VALVE OPTIONS FOR INTEGRAL PILOT (CA) APPLICATIONS



### FOR INTEGRAL PILOT (CA) APPLICATIONS:

The RCA3PV pilot is another option for integral pilot (CA) applications. The RCA3PV pilot is a screw-in pilot available in 1/8" and 1/4" port sizing. The **Dimensional diagrams can be found on Page 11** of this brochure.

RCA3DM and RCA3PV are suitable piloting options for all 4 Series valves and the RCA35T diaphragm valve.

### CONSTRUCTION

**Encapsulation:** PA-6

**C-Frame:** Mild steel, zinc nickel plated

**Bobbin:** PA-6

**Insulation class:** F/155°C

**IP Rating:** IP65

**Rating:** Non-continuous use only

**Clip:** Mild steel (mechanically plated)

### OPERATION

Recommended on time range: 50 to 500 ms

Recommended time between pulses: 1 minute or greater

### CERTIFICATION AND CONFORMITIES

- EMC (89/336/CE)
- LV

### PRODUCT PERFORMANCE

FLOW	MAXIMUM WORKING PRESSURE	MINIMUM WORKING PRESSURE	TEMPERATURE MIN.	TEMPERATURE MAX.	FLUID MEDIA
0.28 Cv	860 kPa	0 kPa	-40°C	82°C	Air or
0.24 Kv	125 psi	0 psi	-40°F	180°F	inert gas

### HOW TO ORDER

Part Number Code

RCA 3 PV 2 - 2 0 5

**Valve Type**

RCA – Pilot valve – Remote-controlled air

**Pilot Size**

3 – 1/8" Pipe thread

**Body Style**

PV – Male inlet, suits all RCA and RCAC main valves

**Thread Type**

Blank – R1/8" thread  
2 – GA1/4" thread

**Coil Series**

2 – DIN 43650 Form B connection

**Coil Connection**

0 Square DIN connector

**Voltage Options**

3 Dual rating: 110V DC 18W or 220/240V 50/60 Hz 46/37 VA  
4 Dual rating: 48V DC 18W or 115V 50/60 Hz 63/53 VA  
5 Dual rating: 24V DC 18W or 48V 50/60 Hz 41/32 VA  
6 Dual rating: 12V DC 18W or 24V 50/60 Hz 38/31 VA

### For Remote Pilot (RCA) Applications:

Please refer to the Pilot Valves and Nema 4 Enclosures catalogue.

### SPARE PARTS:

No pilot valve overhaul kits are available for the RCA3PV pilot; however, coil kits are available as listed below:

K0203 – Dual rating: 110V DC 18W or 220/240V 50/60 Hz – kit includes coil, stabilus clip and washer.

K0204 – Dual rating: 48V DC 18W or 115V 50/60 Hz – kit includes coil, stabilus clip and washer.

K0205 – Dual rating: 24V DC 18W or 48V 50/60 Hz – kit includes coil, stabilus clip and washer.

K0206 – Dual rating: 12V DC 18W or 24V 50/60 Hz – kit includes coil, stabilus clip and washer.

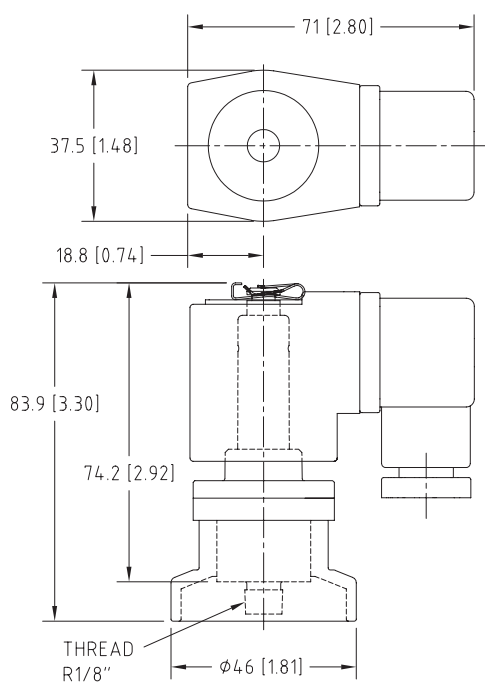
# RCA3DM AND RCA3PV/3PV2

## PILOT VALVES

### DIMENSIONS

(Dimensions in mm and [inches])

#### RCA3DM PILOT VALVE



#### RCA3PV (1/8") AND RCA3PV2 (1/4")

