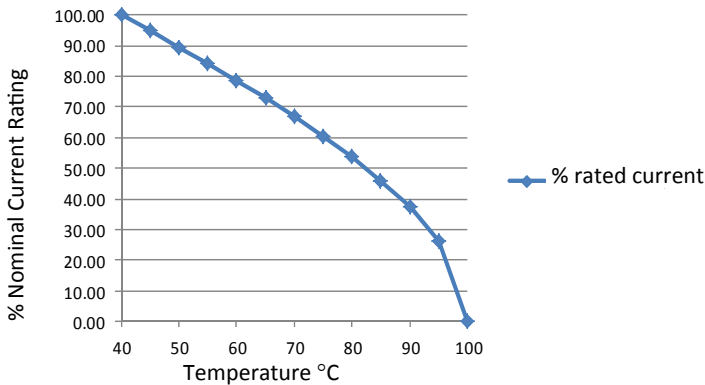


# RES10 Chassis Mounted General Purpose Filters

Roxburgh's RES10 series of single phase filters are designed for fast and easy chassis mounting. Featuring excellent attenuation of conducted radio frequency interference (RFI), the RES10 series is designed for use in general purpose filtering applications.



Temperature Derating Curve for EMC Filters Rated at 40°C Ambient and 100°C Maximum



**Call us on:**  
**Tel: +44 (0) 1724 273200**

## Features:

- 1 Amp to 60 Amp
- Single phase general purpose
- UL approved E191581
- For use from DC to 400Hz

## Benefits:

- Compact size for rated current
- Fast-on, screw or wire terminations
- Quick and Easy Mounting
- Available from UK Stock

## Application Examples:

- Lighting
- Electrical and electronic equipment
- Consumer goods
- Household equipment
- Building automation
- Machinery
- Electronic data/communication processing equipment
- Office automation

**Full technical specification on page 2**

**Performance Curves on page 3**

**Other options in this range on page 4**

**DEM Manufacturing**  
Deltron Emcon House  
Hargreaves Way  
Sawcliffe Industrial Park  
Scunthorpe, North Lincolnshire  
DN15 8RF

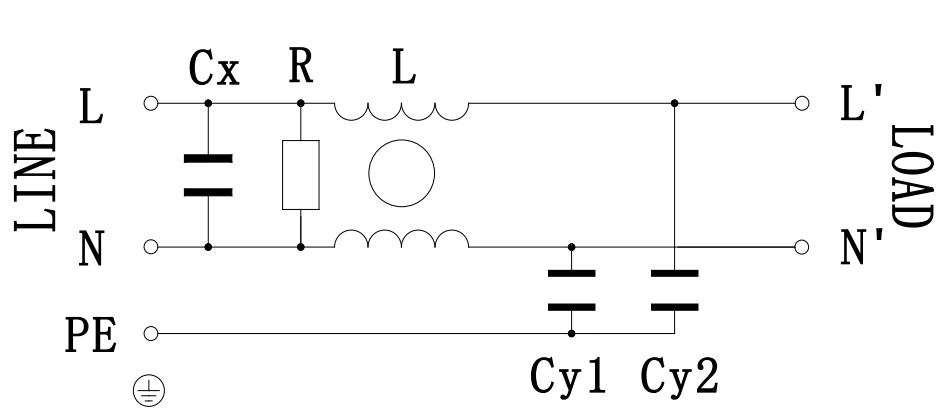
**ROXBURGH EMC**



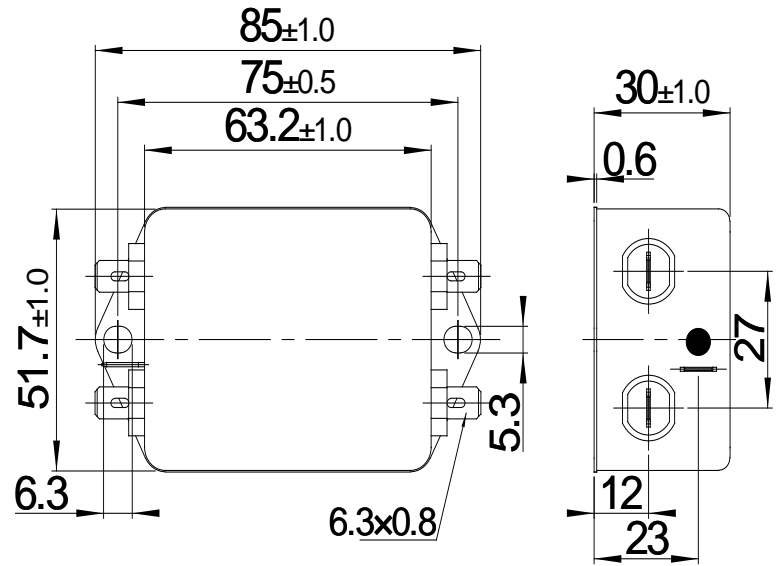
Tel: +44 (0) 1724 273200  
Email: sales@dem-uk.com

Web: www.dem-uk.com/roxburgh

**Circuit diagram:**



**Dimensions(mm):**



**Electrical parameters:**

Rated Voltage:	120/250VAC
Rated Current at an ambient temp:	20A@40°C
Operating Frequency:	50/60Hz
Climatic Class(IEC60068-1):	25/100/21
Operational Leakage current: (at 250VAC/50Hz and Total C +/-20%)	0.8mA max (RES10F20-M 0mA)
Operational Leakage current: (at 120VAC/60Hz and Total C +/-20%)	0.46mA max (RES10F20-M 0mA)
Test Voltage(100%)for 2 sec:	
L-N:	1100VDC/20mA
L/N-PE:	2250VDC/20mA

**Filter parameters:**

Total Inductance(L-L'/N-N'):	0.6mH +50%,-35%
Total Capacitance(L-N/L'-N'):	0.1uF +/-20%
Total Capacitance(L/N-PE) (RES10F20-M):	9.4nF +/-20% (0nF)
Total Resistance(L-N/L'-N'):	1MΩ +/-10%
Weight(Approximate):	210g

**Safety certification**      **Technical Specification**

UL	<input checked="" type="checkbox"/>	CSA	<input checked="" type="checkbox"/>	compiled by	Jay Zhang	2020-8-5
ENEC	<input checked="" type="checkbox"/>	CQC	<input type="checkbox"/>	reviewed by	Pallas Wang	2020-8-5
CE	<input checked="" type="checkbox"/>	VDE	<input type="checkbox"/>	approved by	Henry Huang	2020-8-5

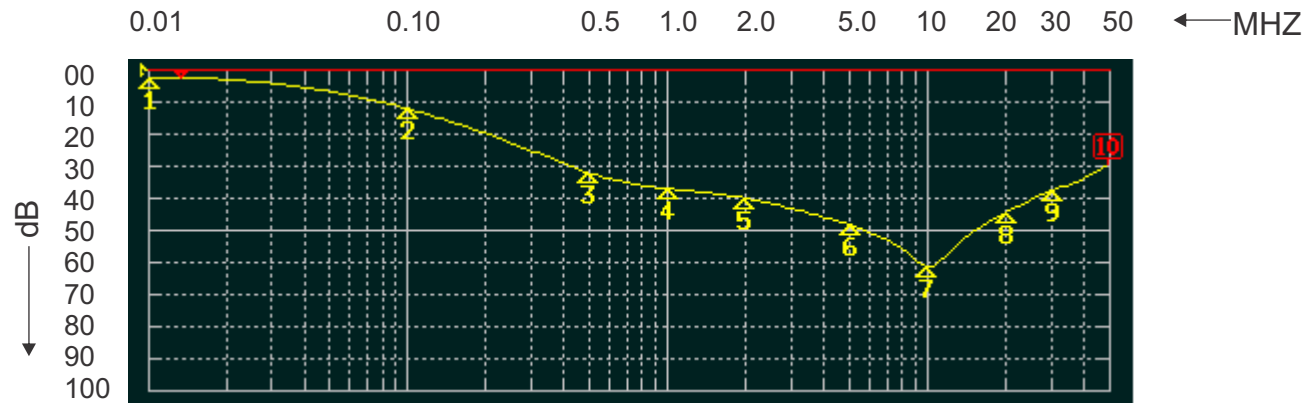
**ROXBURGH EMC**  +44 (0)1724 273200  
sales@dem-uk.com  
www.dem-uk.com/roxburgh

Part **RES10F20**  
Number (Alternate RES10F20-M - no Y caps)

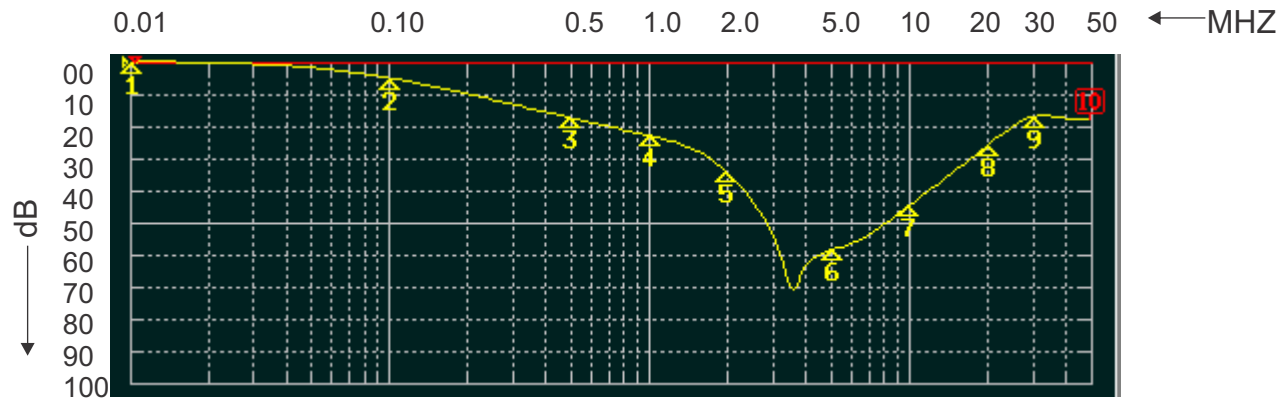
single-phase emc filter  
stage marker      V1.03

**ROXBURGH EMC**  
FILTER INSERTION LOSS CHARACTERISTICS  
CISPR 17 - 50 OHM METHOD

**RES10F20**



COMMON MODE



DIFFERENTIAL MODE



# RES10 Chassis Mounted General Purpose Filters

## Options Available:

Part Number	Rated Current @40°C	Leakage Current @ 230V/50Hz	Inductance $\Sigma L$ mH	Capacitance $\Sigma Cx$ uF	Capacitance $\Sigma Cy$ nF	Resistance $\Sigma R$ K $\Omega$	Connection Type		
									
RES10F01	1	0.74	12	0.1	9.4	1000	F	W	
RES10F03	3	0.74	2.5	0.1	9.4	1000	F	W	
RES10F06	6	0.74	1.0	0.1	9.4	1000	F	W	
RES10F10	10	0.74	0.8	0.1	9.4	1000	F	W	
RES10F12	12	0.74	0.7	0.1	9.4	1000	F	W	
RES10F13	13	0.74	0.7	0.1	9.4	1000	F	W	
RES10F16	16	0.74	0.7	0.1	9.4	1000	F	W	
RES10F20	20	0.74	0.6	0.1	9.4	1000	F	W	
RES10S20	20	0.74	0.6	0.1	9.4	1000		W	S
RES10S30	30	0.87	0.7	0.47	20	1000			S
RES10S60	60	0.87	1	1.5	20	330			S

Call us on:

Tel: +44 (0) 1724 273200



### DEM Manufacturing

Deltron Emcon House, Hargreaves Way, Sawcliffe Industrial Park,  
Scunthorpe, North Lincolnshire, DN15 8RF

Tel: +44 (0) 1724 273200

Email: sales@dem-uk.com

Web: www.dem-uk.com/roxburgh