

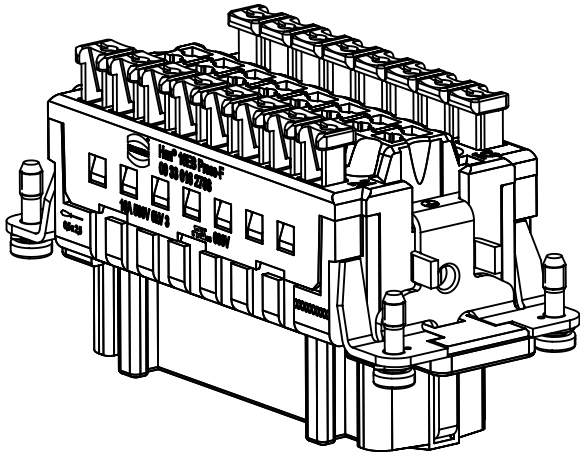
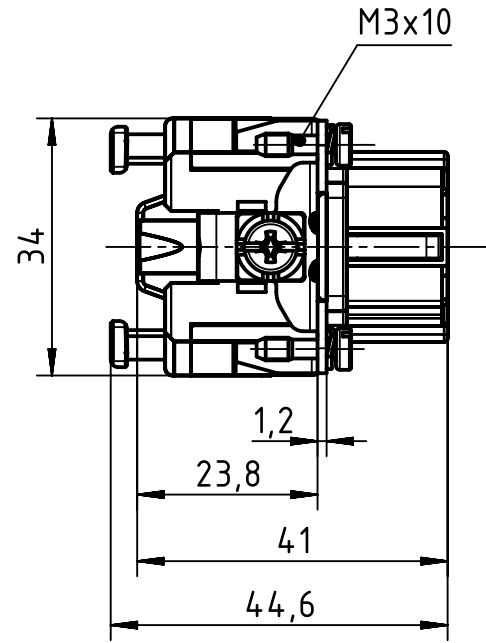
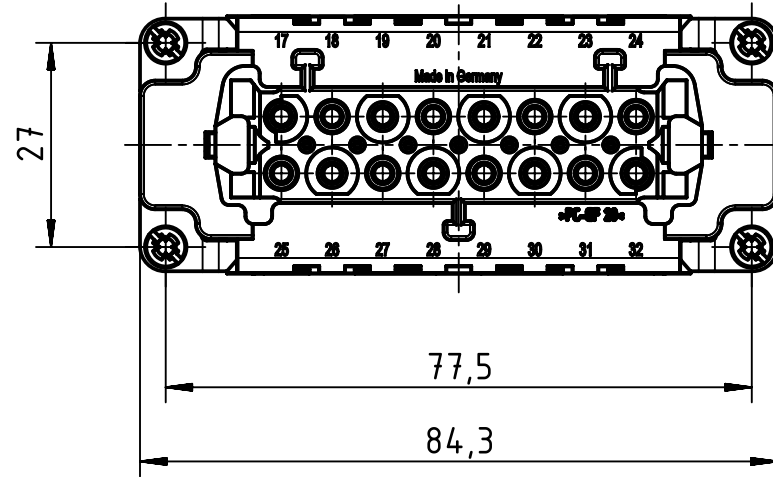
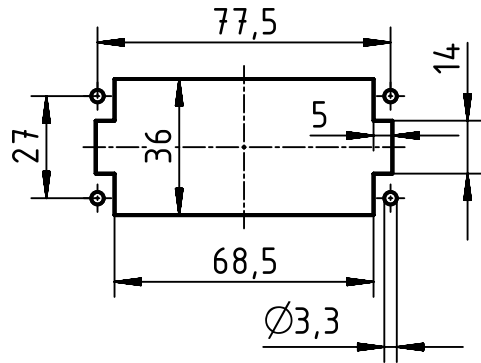
A

B

C

D

1:2  
panel cut out



	All Dimensions in mm Original Size DIN A4		Scale 1:1		Free size tol.		Ref.			
	All rights reserved Department EL PD - DE		Created by ILJIN		Inspected by RUETERA		Standardisation TIEMANNA			
HARTING Electric GmbH & Co. KG D-32339 Espelkamp		Title Han 16ES Press - F (17-32)					Date 2017-01-13		State Final Release	
		Type TB					Number 09 33 016 2788		Doc-Key / ECM-Nr. 100680865/UGD/001/C 500000113763	
							Rev. C		Page 1/1	