

### SIEMENS CONTACTOR SUPPRESSOR

RC, 230VAC/DC

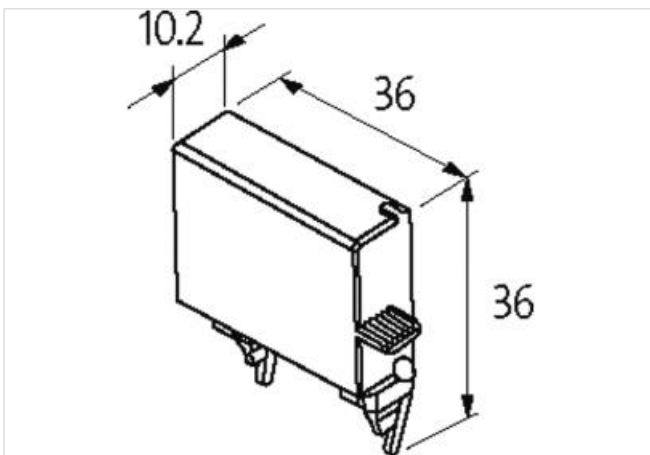
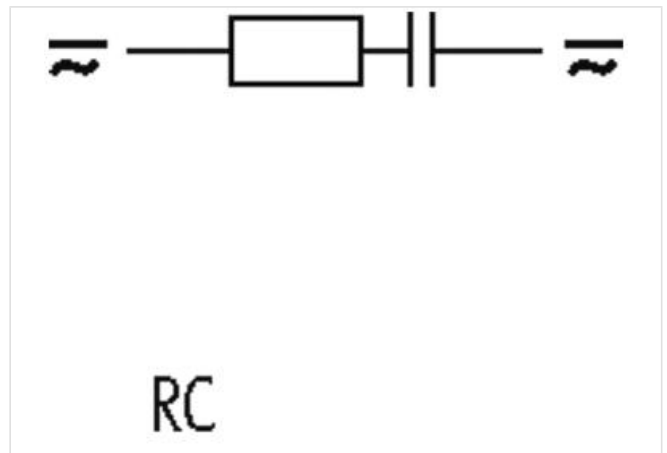
230 V AC/DC

RC

For other configurations and voltages, please inquire.

[Link to Product](#)

**Illustration**



Product may differ from Image



**Commercial data**

ECLASS-6.0	27371013
ECLASS-6.1	27371013
ECLASS-7.0	27371013
ECLASS-8.0	27371013
ECLASS-9.0	27371013
ECLASS-10.1	27371013

ECLASS-11.1	27371013
ECLASS-12.0	27371013
ETIM-5.0	EC002498
customs tariff number	85363010
GTIN	4048879019941

Packaging unit	1
----------------	---

**Compatibility | Compatible with**

Appropriate contactors	3 RT 10.24/25/26
------------------------	------------------

**Electrical data | Input**

Input voltage AC min.	127 V
-----------------------	-------

Input voltage AC max.	250 V
-----------------------	-------

Input voltage DC min.	127 V
-----------------------	-------

Input voltage DC max.	250 V
-----------------------	-------

**Mechanical data | Mounting data**

Height	36 mm
--------	-------

Width	36 mm
-------	-------

Depth	10,2 mm
-------	---------

**Environmental characteristics | Climatic**

Operating temperature min.	-20 °C
----------------------------	--------

Operating temperature max.	70 °C
----------------------------	-------