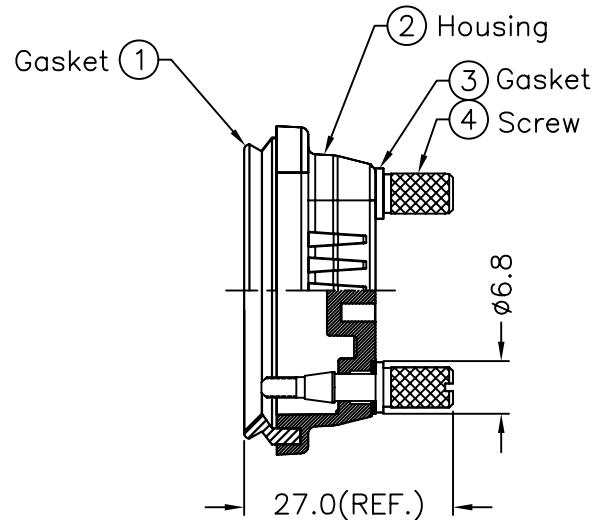
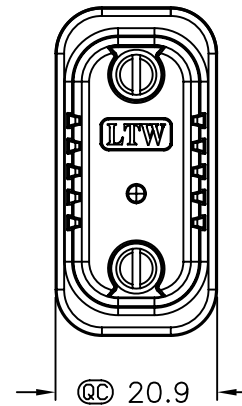
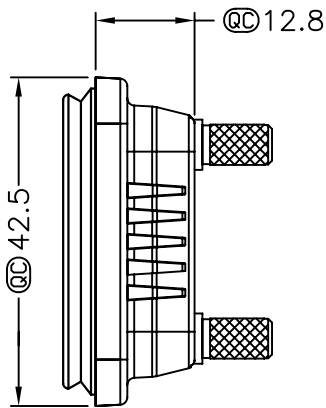
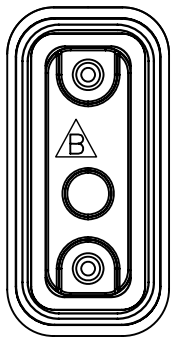


REV.	ECN NO.	DATE	SIGN	DESCRIPTION
B	LEN-770344	2007/07/12	Robert Hsu	Drawing Modify



- Note:
- * @C Important Dimensions To Check.
 - * Waterproof Rate: IP67
 - * Housing: Black, ABS
 - * Gasket: Black, EPDM
 - * Screw: Steel, Nickel Plated

UNIT:mm	
TOLERANCE	±0.5 mm

TITLE		D-Sub Conn	
Screw Combo Waterproof Cap			
SCALE	Free	SHEET	1 OF 1
REV.	B	SIZE	A4
		QC : Inspection Item	

LTW
亮泰企業股份有限公司

ITEM NO	LTWCAP-WD1PCSA1
DWG NO	LTWCAP-WD1PCSA1
CUSTOMER	

DRAWN BY	Robert Hsu
CHECKED BY	Jill
APPROVED BY	Lion-Yu

DATE	2007/07/12
DATE	2007/07/12
DATE	2007/07/12

THIS DOCUMENT IS SUBJECT TO CHANGE WITHOUT NOTICE. IT IS CONFIDENTIAL AND A PROPERTY OF LTW. DISCLOSURE TO THIRD PARTY HAS TO BE AUTHORIZED BY LTW.

A B C D E F

1 2 3 4 5 6 7 8