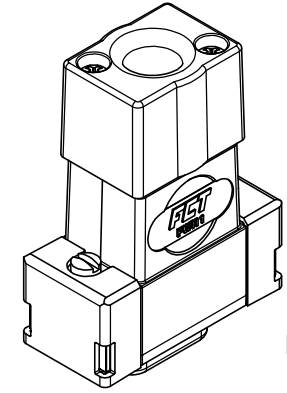
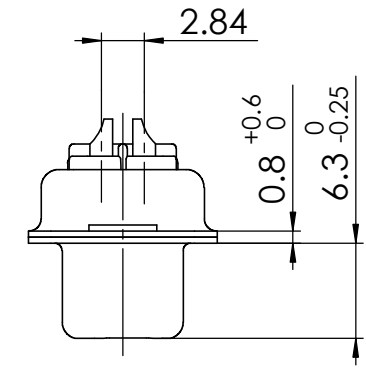
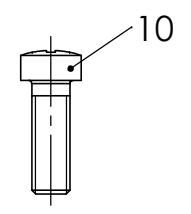
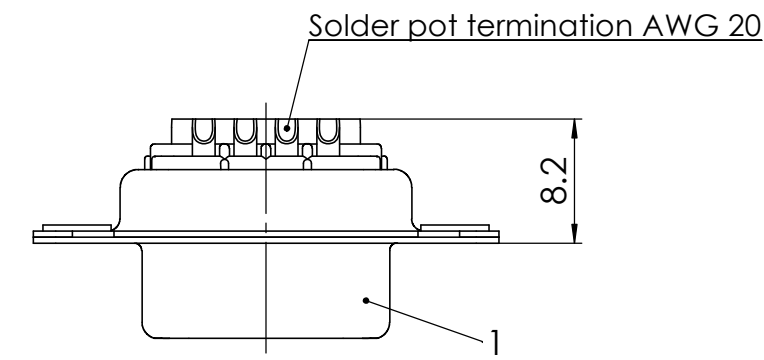
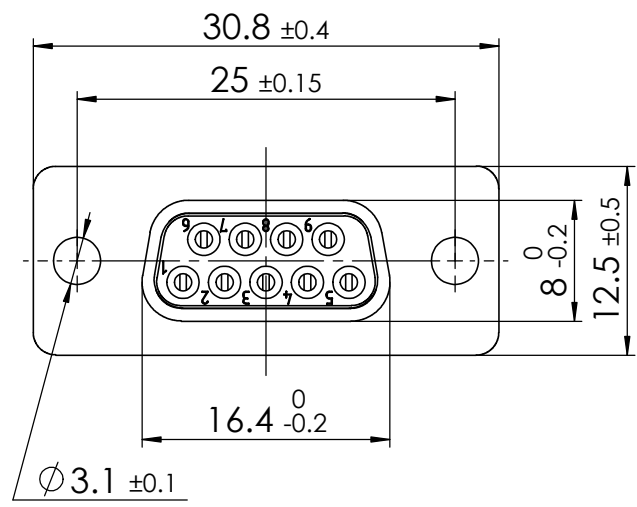


COMMENT: ALL RIGHTS ARE RESERVED BY US FOR THIS DRAWING. WITHOUT OUR PRIOR CONSENT, IT MAY NEITHER BE DUBLICATED NOR MADE AVAILABLE TO A THIRD PARTY. AND IT ALSO MAY NOT BE IMPROPERLY USED BY THE RECEIVER, OR A THIRD PARTY.

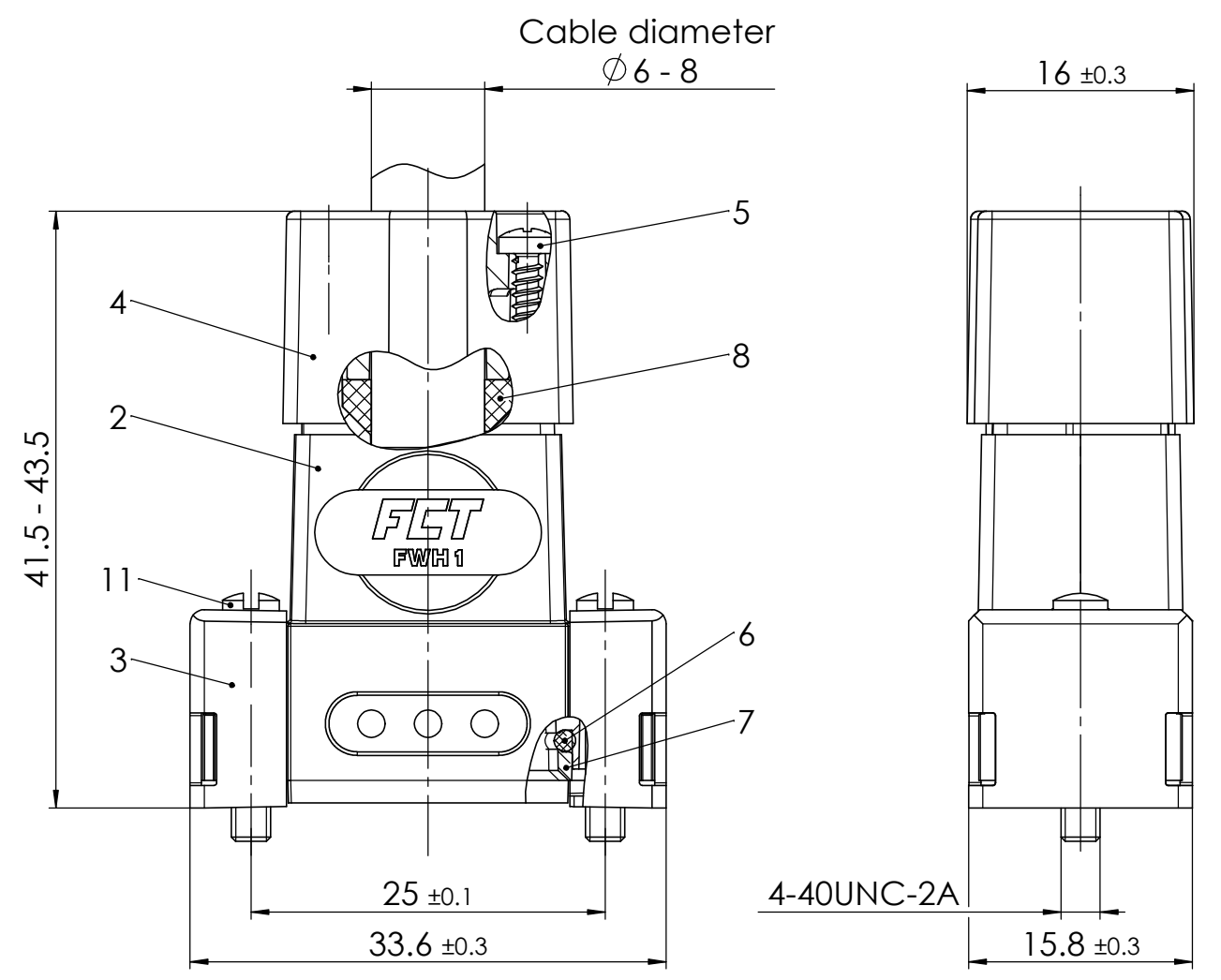


reverse side
1:1

RoHS compliant
by exemption

max. torque are 40 Nm
Mounting instruction AM0324
Parts-No. 3, 9 and 10 not mounted

Protection standard IP67
according to DIN EN 60529



No.	St.	Part	Type Description/Material	Surface plating/Colour/Class
11	2	Locking screw	FVS1/5 4-40 / Brass	nickel plated
10	2	Cable clamp screw	Steel	zinc plated
9	2	Cable clamp	Steel	zinc plated
8	1	Seal ring	Elastomer	black
7	1	Holding frame	PBT	black
6	1	O-ring seal	Elastomer	red
5	2	Shell screw	Stainless steel	blank
4	1	Hood cap	PC+ABS	black
3	2	Holding cap	PEI	black
2	1	Hood	FWH1 / PC+ABS	black
1	1	Waterproof D-Sub Connector	F09S-K700	

SYMBOLS		THIS DRAWING CONTAINS INFORMATION THAT IS PROPRIETARY TO MOLEX ELECTRONIC TECHNOLOGIES, LLC AND SHOULD NOT BE USED WITHOUT WRITTEN PERMISSION			
▽ = 0	▽ = 0	DIMENSION UNITS	SCALE	MEASUREMENTS WITHOUT TOLERANCE ACC. TO	molex
▽ = 0	▽ = 0	mm	2:1	ISO 2768-m	
▽ = 0	▽ = 0	CURRENT REVISION			FCT-Hood Connector Set waterproof
▽ = 0	▽ = 0	DRWN: DRAWN BY	ameyerrichte	19-08-2019	
▽ = 0	▽ = 0	APPR: APPR BY	MWild	19-08-2019	PRODUCT CUSTOMER DRAWING
▽ = 0	▽ = 0	INITIAL REVISION			MATERIAL NUMBER
▽ = 0	▽ = 0	DRWN: DRAWN BY	ameyerrichte	19-08-2019	1731140383
▽ = 0	▽ = 0	APPR: APPR BY	MWild	19-08-2019	REVISION
▽ = 0	▽ = 0	1	24143		1
▽ = 0	▽ = 0	REV.	CH.-NO.		DOCUMENT NUMBER
▽ = 0	▽ = 0	REPLACEMENT FOR:	THIRD ANGLE PROJECTION	DRAWING	FWH1-09S-3649
▽ = 0	▽ = 0	FWHy-xxS-3649_rev2		A3-SIZE	CUSTOMER
					GENERAL MARKET
					SHEET NUMBER
					1 OF 1