

Connecting cables for valves, socket connection pattern H

Type codes

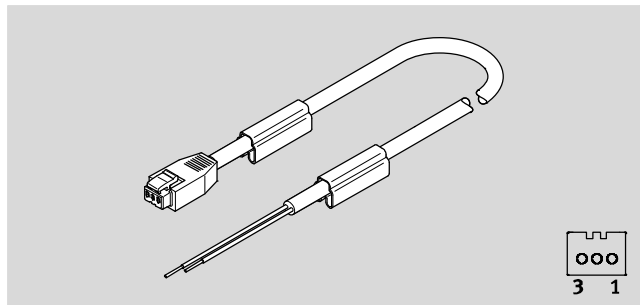
NEBV		-	H1	G	2	-		-		-		-	N	-	LE	2
Function																
NEBV	Connecting cables for valves															
Connection technology on the left, field device side																
H1	Socket connection pattern H															
Cable outlet on the left																
G	Straight															
Number of pins/wires, left																
2	2-pin															
Cable characteristic																
K	Standard															
P	For static applications															
Cable design																
-	Single cable															
N	Flying leads															
Cable length																
0.5	0.5 m															
1	1 m															
2.5	2.5 m															
5	5 m															
Cable identification																
N	Without label holder															
Connection technology on the right, controller side																
LE	Open end															
Number of pins/wires, right																
2	2-wire															

Connecting cables for valves, socket connection pattern H

Technical data

Connecting cable NEBV-H1G2

- Connecting cable
- Pre-assembled at one end
- For connecting valves
- Cable lengths 0.5 ... 5 m



General technical data	
Cable identification	Without inscription label holder

Technical data – Electrical connection 1	
Function	Field device side
Connection type	Socket
Cable outlet	Straight
Design	Square
Connection technology	Connection pattern H
Number of pins/wires	3
Assigned pins/wires	2
Type of mounting	Snap-locking

Technical data – Electrical connection 2		
Type code	NEBV-H1G2-KN	NEBV-H1G2-P
Function	Controller side	
Connection type	2x single wire	Cable
Connection technology	Open end	
Number of pins/wires	2	
Assigned pins/wires	2	
Wire ends	Cut off bluntly	Cut off bluntly
	–	Sheath removed

Technical data – Electrical		
Operating voltage range	[V DC]	0 ... 60
Current rating at 40 °C	[A]	3

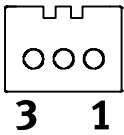
Technical data – Cables		
Type code	NEBV-H1G2-KN	NEBV-H1G2-P
Cable diameter	[mm]	1.3
Cable design	[mm ²]	2x0.14
Nominal conductor cross section	[mm ²]	0.14
Cable characteristic	Standard	For static applications

Materials		
Type code	NEBV-H1G2-KN	NEBV-H1G2-P
Housing	POM	POM
Housing colour	Black	Black
Pin contacts	Tin-plated copper alloy	Tin-plated copper alloy
Cable sheath	–	TPE-U(PUR)
Cable sheath colour	–	Grey
Insulating sheath	PVC	PVC
Note on materials	RoHS-compliant	RoHS-compliant

Connecting cables for valves, socket connection pattern H

Technical data

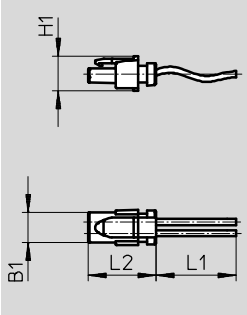
Operating and environmental conditions	
Ambient temperature [°C]	-5 ... +60
Degree of protection	IP40
Note on degree of protection	In assembled state

Circuitry (socket view)				
Electrical connection 1	Pin	Wire colour ¹⁾	Pin	Electrical connection 2
	1	RD	-	-
	2	BK	-	

1) To IEC 757

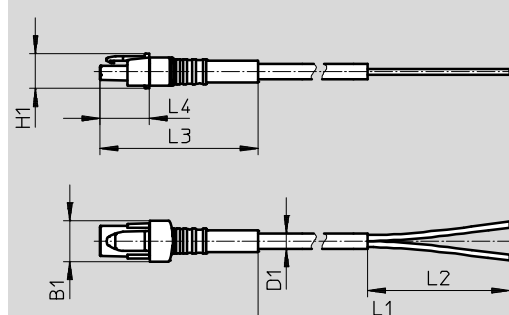
Dimensions

NEBV-H1G2-KN



Download CAD data → www.festo.com

NEBV-H1G2-P



Type code	B1	H1	L1	L2
NEBV-H1G2-KN-0.5-N-LE2	8.3	8.4	500	13
NEBV-H1G2-KN-1-N-LE2			1000	
NEBV-H1G2-KN-2.5-N-LE2			2500	
NEBV-H1G2-KN-5-N-LE2			5000	

Type code	B1	D1	H1	L1	L2	L3	L4
NEBV-H1G2-P-0.5-N-LE2	9	3.4	8.4	500	50	33.2	9
NEBV-H1G2-P-1-N-LE2				1000			
NEBV-H1G2-P-2.5-N-LE2				2500			
NEBV-H1G2-P-5-N-LE2				5000			

Ordering data						
Electrical connection 1	Electrical connection 2, connection type	Cable length [m]	Weight [g]	Part No.	Type	
Straight socket, 2-pin	2x single wire	0.5	4	566654	NEBV-H1G2-KN-0.5-N-LE2	
		1	7	566655	NEBV-H1G2-KN-1-N-LE2	
		2.5	17	566656	NEBV-H1G2-KN-2.5-N-LE2	
		5	31	566657	NEBV-H1G2-KN-5-N-LE2	
		0.5	8	566658	NEBV-H1G2-P-0.5-N-LE2	
	Cable, 2-wire	1	16	566659	NEBV-H1G2-P-1-N-LE2	
		2.5	35	566660	NEBV-H1G2-P-2.5-N-LE2	
		5	70	566661	NEBV-H1G2-P-5-N-LE2	