

FLASHING LIGHTS 5/10/15 J

BExBG05 | BExBG10 | BExBG15 ATEX



The flashing light is ideal for almost all mounting requirements: side, ceiling and floor mounting.

- Categories 2G (Zones 1 and 2), 2D (Zones 21 and 22).
- Extremely bright at up to 15 joules flash energy.
- Large connection box for simple mounting.
- Also available with connection box in increased safety version "E".
- Very sturdy, manufactured from seawater-resistant aluminium and stainless steel protection cage.
- BExBG05 can be mounted in all operating positions.

IP 66
IP 67


protection system

+70 °C
-50 °C

Ex-certified

+70 °C
-40 °C

operating temperature

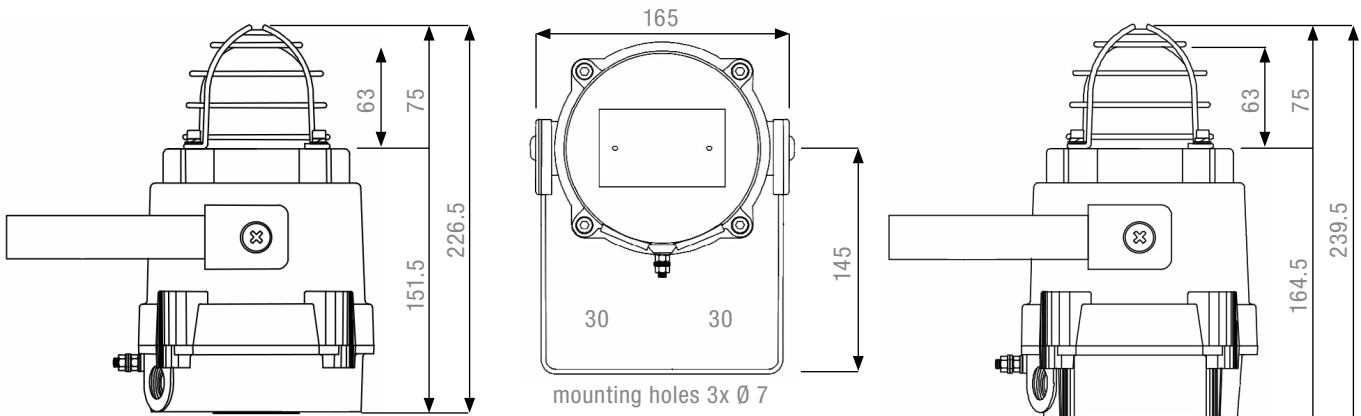
PRODUCT	AC	BExBG05			BExBG10			BExBG15	
DATA									
Rated voltage		230 V	115 V	230 V	115 V	230 V	115 V		
		AC 50 60 Hz							
Operating range		±10 %							
Nominal current consumption		55 mA	140 mA	110 mA	250 mA	170 mA	360 mA		
PRODUCT	DC	BExBG05			BExBG10			BExBG15	
Rated voltage		48 V	24 V	12 V	48 V	24 V	12 V	48 V	24 V
Operating range		±25 %							
Nominal current consumption		180 mA	300 mA	750 mA	340 mA	660 mA	1450 mA	480 mA	860 mA
PRODUCT		BExBG05D BExBG05E			BExBG10D BExBG10E			BExBG15D BExBG15E	
Type of protection		„D“ = Ex db / Ex tb or „E“ = Ex db / Ex db eb / Ex tb							
Explosion protection		see certificate							
Category (area of use)		2G (Zone 1) / 2D (Zone 21) 3G (Zone 2) / 3D (Zone 22)							
Certificate of conformity		KEMA 01 ATEX 2030 X							
Flash energy		5 J			10 J			15 J	
Flash rate		60 flashes/min, stabilised							
Temperature class T		up to T5 / T93°C @ Ta -50°C...+40°C further details see certificate and installation instructions				up to T4 / T99°C @ Ta -50°C...+40°C further details see certificate and installation instructions			
Operating temperature		-40 °C ... +70 °C							
Ex-certified ambient temperature		max. -50°C...+70°C (see also temperature classes)							
Storage temperature		-50 °C ... +70 °C							
Relative humidity		90 %							
Duty cycle		100 %							
Service life of the light source		light emission still 70 % after 8,000,000 flashes							
Material	lens	 glass with plastic colour cap							
	housing	die-cast aluminium, resistant to salt water, marine grade LM6, red (RAL 3000)							
	protective cage and bracket	stainless steel							
Type of connection		1 x 4 mm ² or 2 x 2.5 mm ²							
Cable entry ¹		2 x M20, of which one open, optionally PG13.5 or 1/2" NPT							
Weight	BExBG#D	2.45 kg							
	BExBG#E	2.75 kg							

¹ Ex cable gland not included

DIMENSIONS

BExBG#D

BExBG#E

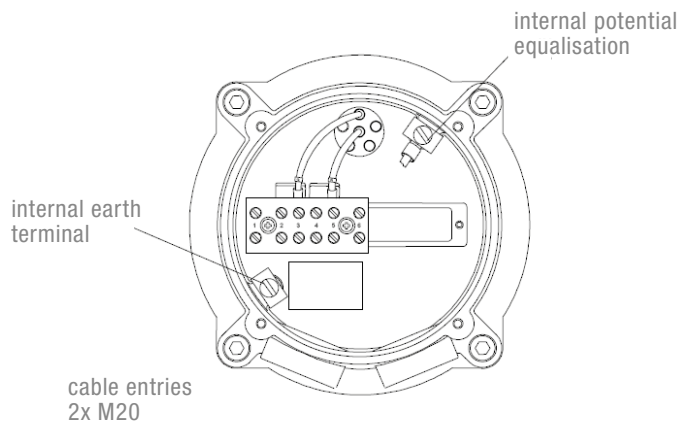


ARTICLE NO.	BExBG05E		BExBG05D	
Lens colour	230 V AC	24 V DC	230 V AC	24 V DC
●	31130103000	31130803000	31131103000	31131803000
●	31130104000	31130804000	31131104000	31131804000
●	31130105000	31130805000	31131105000	31131805000
ARTICLE NO.	BExBG10E		BExBG10D	
Lens colour	230 V AC	24 V DC	230 V AC	24 V DC
●	31120103000	31120803000	31121103000	31121803000
●	31120104000	31120804000	31121104000	31121804000
●	31120105000	31120805000	31121105000	31121805000
ARTICLE NO.	BExBG15E		BExBG15D	
Lens colour	230 V AC	24 V DC	230 V AC	24 V DC
●	31110103000	31110803000	31111103000	31111803000
●	31110104000	31110804000	31111104000	31111804000
●	31110105000	31110805000	31111105000	31111805000

Article numbers for other colours and voltages on request.

CONNECTION DIAGRAM

BExBG#E



BExBG5D

BEXBG10D / BEXBG15D

