

Plastic enclosure IP 65 160 x 80 x 55 mm light grey PC

Plastic Enclosures



FEATURES:

Integral guides and standoffs for vertical and horizontal PCB mounting

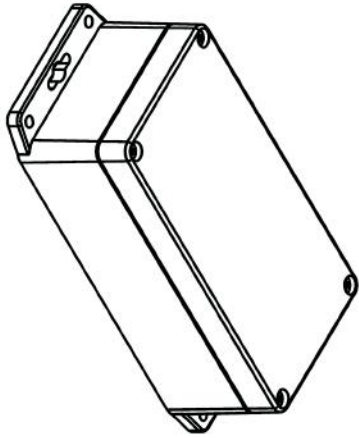
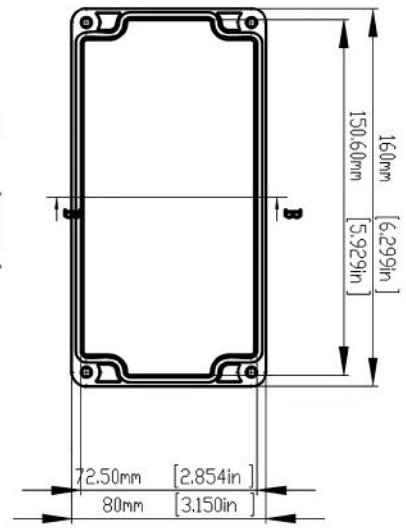
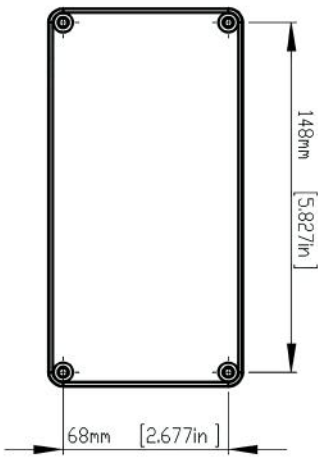
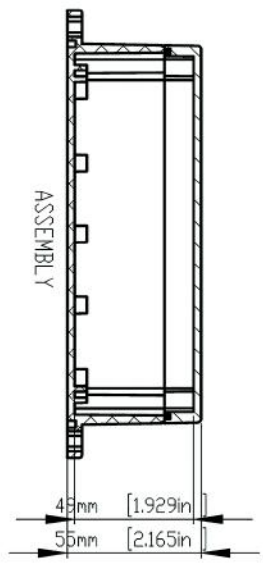
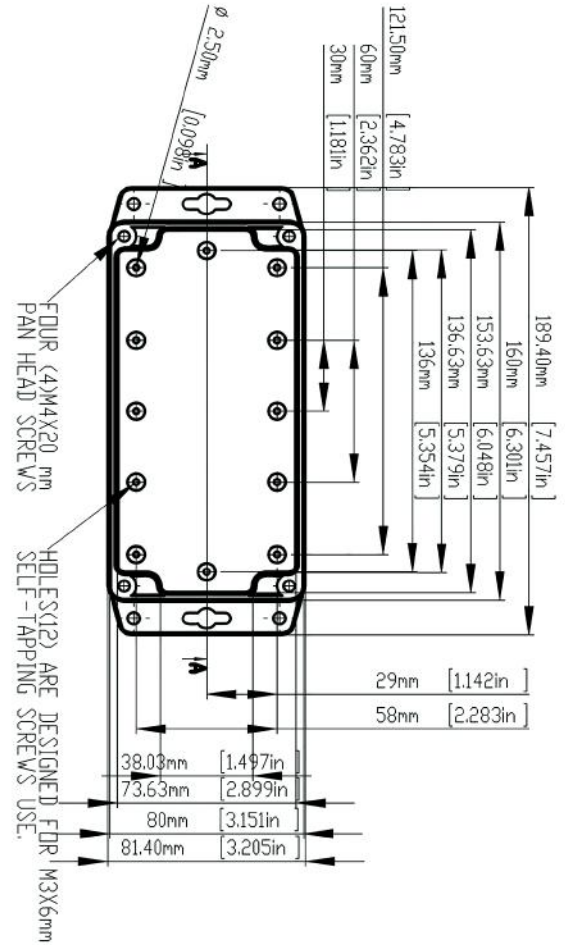
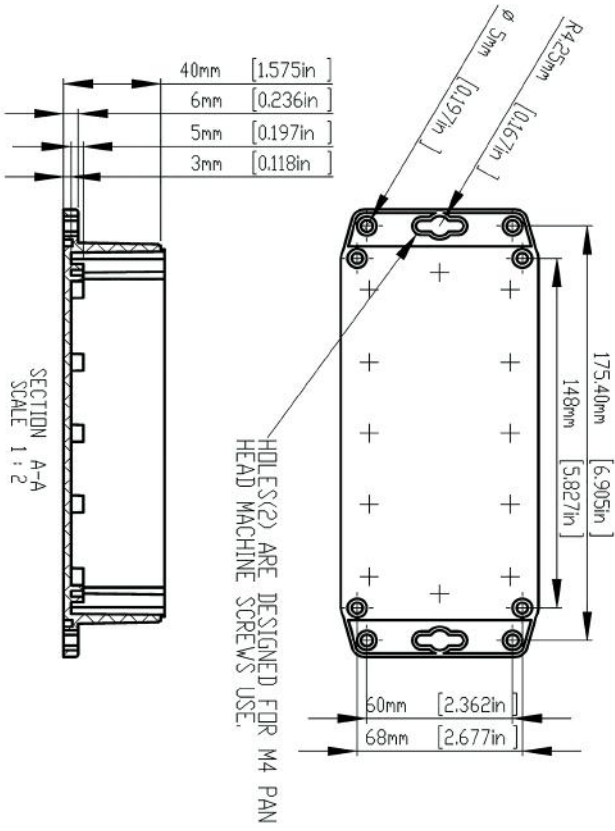
SPECIFICATION:

Dimensions L x W x H	160 x 80 x 55 mm
Colour	light grey
Material	PC
Protection rating	IP 65
Fire class	UL 94 HB
Mounting	Flange
Temperature range	-40...+120 °C

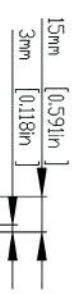
PRODUCT RANGE:

Art. Nr.

RND 455-00259



SECTION B-B
SCALE 1:2



According to ISO 2768-m	
Measuring DIM=L	Tolerances
0.5<L<=3.0mm	±0.1mm
3.0<L<=6.0 mm	±0.1mm
6.0<L<=30.0 mm	±0.2mm
30.0<L<=120.0 mm	±0.3mm
120.0<L<=400.0 mm	±0.5mm
400.0<L<=1000.0 mm	±0.8mm