

- 1
- 2
- 3
- 4
- 5
- 6
- 7
- 8
- 9
- 10
- 11
- 12
- 13
- 14
- 15
- 16
- 17
- 18

STANDARD EXECUTION

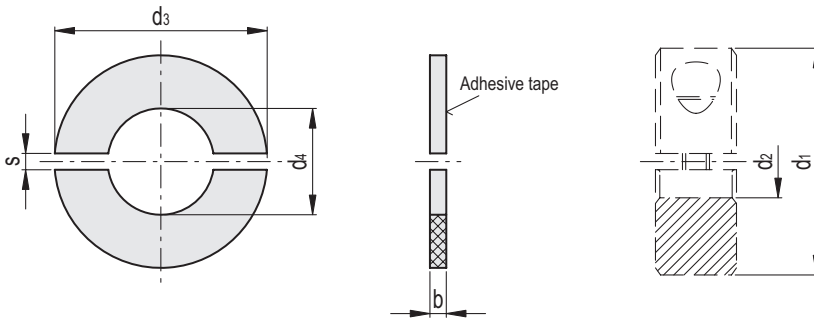
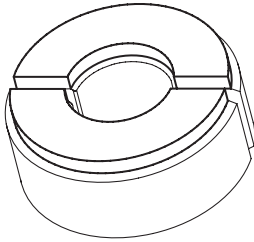
Transparent polyurethane (PUR), hardness 70 Shore A. Resistant up to 80°C.

With adhesive tape.

FEATURES AND APPLICATIONS

GN 7072.30 dampening washers are accessories for the different types of set collars. They are fixed by means of an adhesive film, preferably on the side of the set collar without grooves.

They allow to absorb light impacts and have got a dampening effect when they come into contact with other components.



| Code | Description | d1 | d2 | d3 | d4 | b±0.2 | s | ⚖️ |
|----------|-------------------|----|----|----|------|-------|-----|----|
| GN.75001 | GN 7072.30-30-B12 | 30 | 12 | 28 | 13 | 2 | 2.1 | 1 |
| GN.75002 | GN 7072.30-32-B14 | 32 | 14 | 30 | 15 | 2 | 2.1 | 1 |
| GN.75006 | GN 7072.30-36-B15 | 36 | 15 | 34 | 16 | 2 | 2.1 | 2 |
| GN.75007 | GN 7072.30-36-B16 | 36 | 16 | 34 | 17 | 2 | 2.1 | 2 |
| GN.75011 | GN 7072.30-42-B18 | 42 | 18 | 39 | 19.5 | 3 | 3 | 3 |
| GN.75012 | GN 7072.30-42-B20 | 42 | 20 | 39 | 21.5 | 3 | 3 | 3 |
| GN.75016 | GN 7072.30-48-B22 | 48 | 22 | 45 | 23.5 | 3 | 3 | 4 |
| GN.75017 | GN 7072.30-48-B25 | 48 | 25 | 45 | 26.5 | 3 | 3 | 4 |
| GN.75021 | GN 7072.30-55-B28 | 55 | 28 | 52 | 29.5 | 3 | 3 | 5 |
| GN.75022 | GN 7072.30-55-B30 | 55 | 30 | 52 | 31.5 | 3 | 3 | 5 |
| GN.75026 | GN 7072.30-60-B32 | 60 | 32 | 57 | 33.5 | 3 | 4 | 6 |
| GN.75027 | GN 7072.30-60-B35 | 60 | 35 | 57 | 36.5 | 3 | 4 | 6 |
| GN.75031 | GN 7072.30-65-B40 | 65 | 40 | 62 | 41.5 | 3 | 4 | 6 |