

- 1
- 2
- 3
- 4
- 5
- 6
- 7
- 8
- 9
- 10
- 11
- 12
- 13
- 14
- 15
- 16
- 17
- 18

LEVER BODY

Glass-fibre reinforced polyamide based (PA) technopolymer, black colour, glossy finish.

LEVER ARM

Matte chrome-plated steel with cylindrical handle 1.280 (see page 562) in Duroplast.

SELF-ADHESIVE FRONT PLATE

Matte anodised aluminium to be fitted after the assembly of the lever.

STANDARD EXECUTIONS

- **LBR-A:** black-oxide steel boss, H7 reamed hole.
 - **LBR-N:** without boss, with plain hole and flat face.
- LBR.45 N and LBR.54 N: flat face opposite to the arm.
 LBR.75 N: flat face in correspondance of the arm.

MANOEUVRE ANGLE LIMITATION

A limited manoeuvre angle is possible by fitting stop pins in the rear guide slot.

ACCESSORIES ON REQUEST

- Axial retaining washer GN 184 (see page 899).
- Ball and spring for clicking operation to be fitted into the two holes d3 drilled at 180° (see ball and spring MS. on page 623).

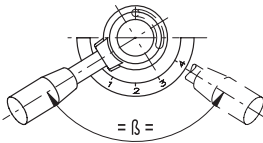
SPECIAL EXECUTIONS ON REQUEST

- Different arm lengths and handle shapes.
- Front plate with words, marks, symbols, graphics.

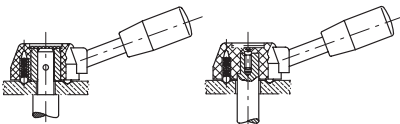


ELESA Original design

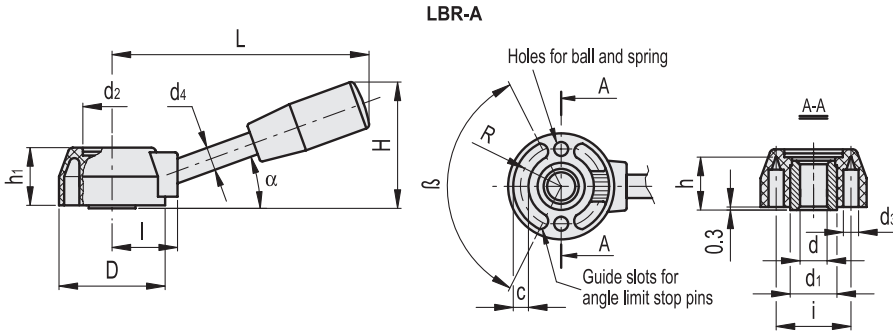
Assembly examples



Assembly by means of angle limit stop pins



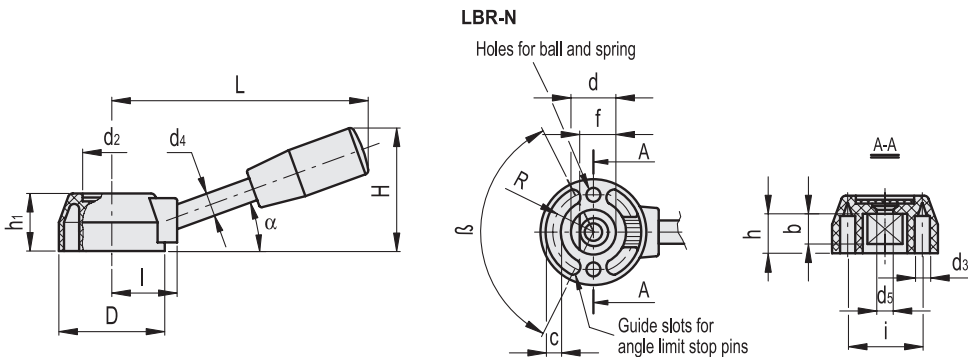
Assembly by means of ball and spring for clicking operation



LBR-A

Code	Description	D	dH7	L	H	h	h1	d1	d2	d3*	d4	i	l	R	c	α	β	⚖
33101	LBR.37/85 A-8	37	8	81	46	17	20	18	21	5	10	26	22	13.8	4.3	25°	125±1°	75
33102	LBR.37/85 A-10	37	10	81	46	17	20	18	21	5	10	26	22	13.8	4.3	25°	125±1°	71
33103	LBR.37/85 A-12	37	12	81	46	17	20	18	21	5	10	26	22	13.8	4.3	25°	125±1°	66
33201	LBR.45/110 A-8	45	8	108	52	22	25	22	25	6	10	32	28	17.5	7	20°	125±1°	132
33202	LBR.45/110 A-12	45	12	108	52	22	25	22	25	6	10	32	28	17.5	7	20°	125±1°	120
33203	LBR.45/110 A-15	45	15	108	52	22	25	22	25	6	10	32	28	17.5	7	20°	125±1°	105
33301	LBR.54/130 A-10	54	10	127	61	27	30	26	31	8	12	39	34	20.2	7.3	20°	125±1°	213
33302	LBR.54/130 A-14	54	14	127	61	27	30	26	31	8	12	39	34	20.2	7.3	20°	125±1°	198
33303	LBR.54/130 A-18	54	18	127	61	27	30	26	31	8	12	39	34	20.2	7.3	20°	125±1°	175
33401	LBR.75/170 A-18	75	18	170	80	34	38	30	42	10	14	55	45	26	15	20°	105±1°	360

* Ball diameter



LBR-N

Code	Description	D	dH8	L	H	h	h1	d2	d3*	d4	d5	i	l	R	c	α	β	f+0.05	b	⚖
33211	LBR.45/110 N-16	45	16	108	52	16	25	25	6	10	6.5	32	28	17.5	7	20°	125±1°	13	12	80
33311	LBR.54/130 N-22	54	22	125	66	21	30	31	8	12	6.5	39	34	20.2	7.3	25°	125±1°	19	16	130
33411	LBR.75/170 N-25	75	25	170	80	26	38	42	10	14	8.5	55	45	26	15	20°	105±1°	22	21	255

* Ball diameter