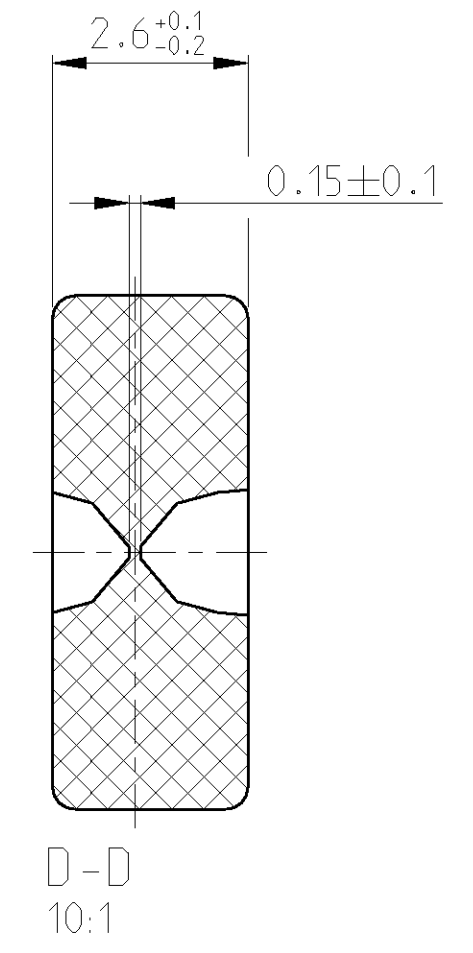
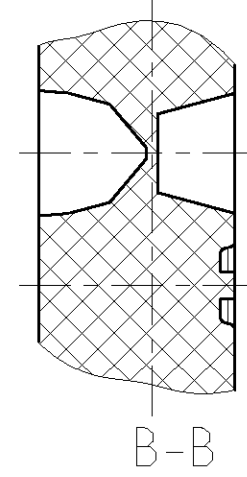
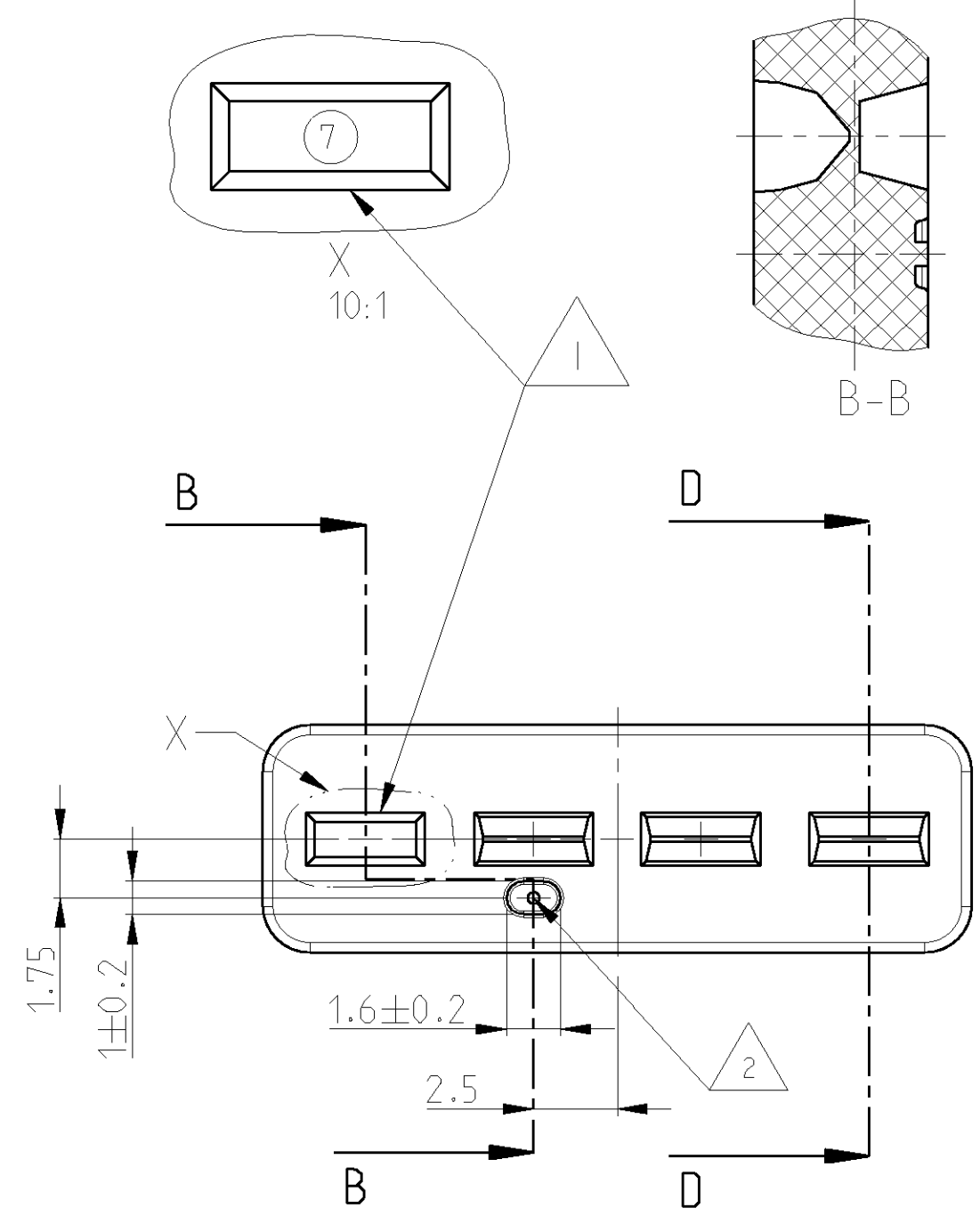
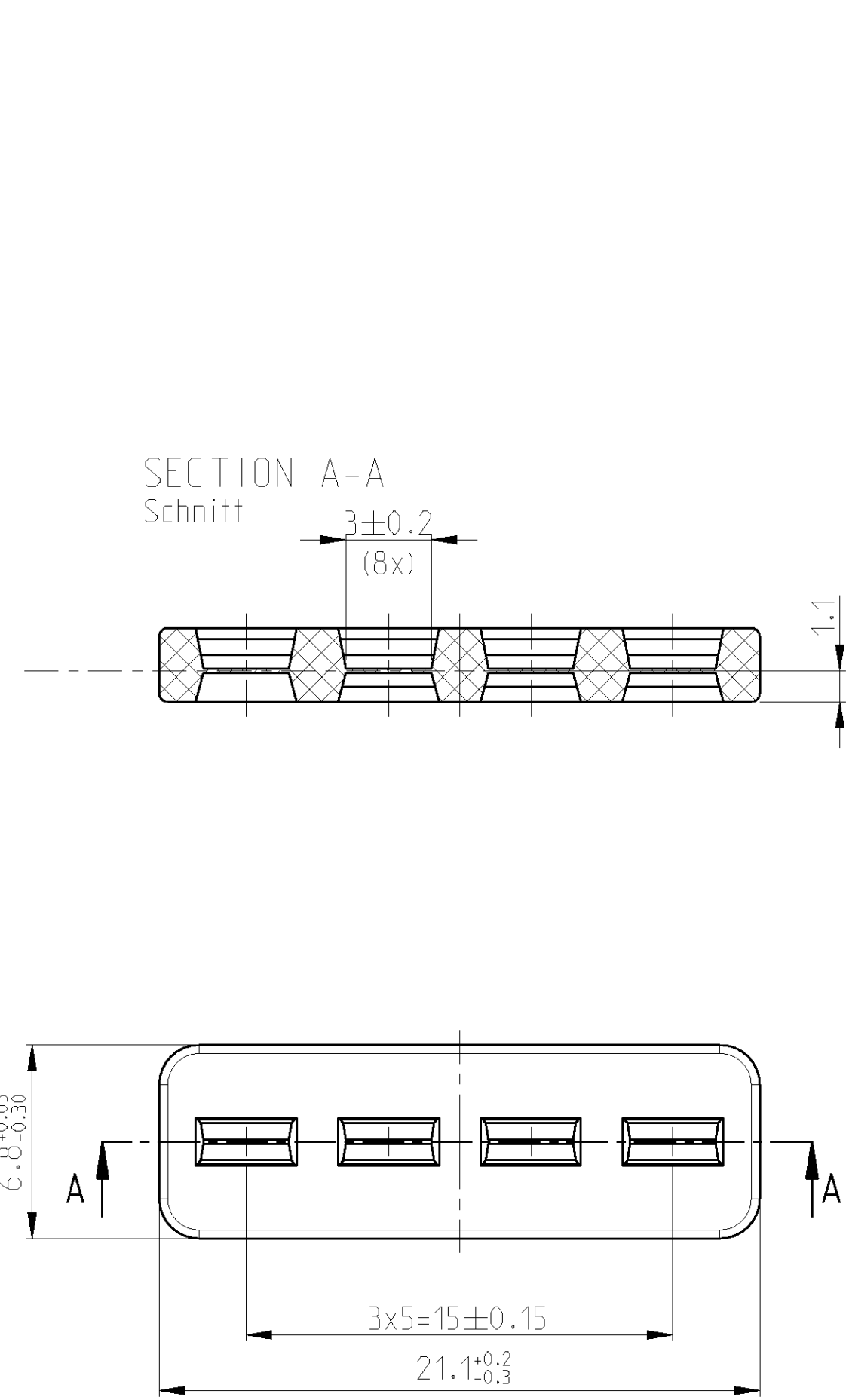


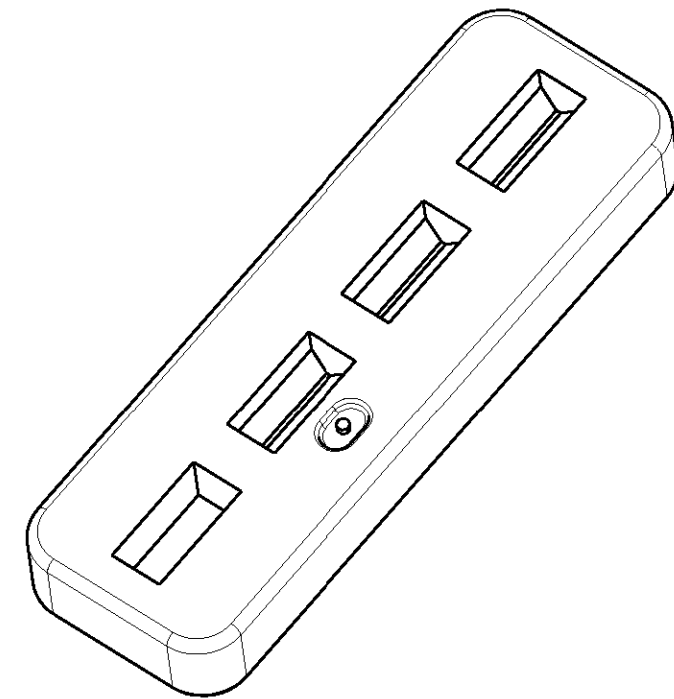
THIS DRAWING IS UNPUBLISHED. RELEASED FOR PUBLICATION 2004
 © COPYRIGHT 2004 BY TYCO ELECTRONICS CORPORATION. ALL RIGHTS RESERVED.

Proj.-No. A98-52072
 LOC A1
 DIST -

REVISIONS						
P	LTR	DESCRIPTION	DATE	DWN	APVD	
C		SEE PCN EGO0-0094-03 (REV. CHANGE)	27JAN2003	A.Ri	TK	
C1		-2 (GREEN VERSION) ADDED	07JUL2003	MD	TK	
D		SEE PCN EGA0-1953-04	30AUG2004	SKH	TK	



- NOTES
Bemerkungen
- 1 CAVITY MARKING RAISED, OPTIONAL IN ONE OF THE WINDOWS
Nestmarkierung erhaben, wahlweise in einem Fenster
 - 2 GATE AREA SUNK, GATEMARK MUST NOT GET THROUGH OUTER GEOMETRY
Angußbereich vertief, Anguß darf nicht aus der äußeren Geometrie überstehen



963208-2	B	0.358	SEAL	GREEN	SILICON	2
963208-1	D	0.358	SEAL	NATUR	SILICON	1
PART NO	REV	WEIGHT [g]	DESCRIPTION	COLOUR	MATERIAL	ITEM

Verwendet für: 965102 / 962340 / 962341 / 965261

THIS DRAWING IS A CONTROLLED DOCUMENT FOR TYCO ELECTRONICS CORPORATION IT IS SUBJECT TO CHANGE AND THE CONTROLLING ENGINEERING ORGANIZATION SHOULD BE CONTACTED FOR THE LATEST REVISION.		DWN S. Kann-Henzel 30AUG2004 CHK T. Kilian 01SEP2004 APVD -	tyco Electronics tyco Electronics AMP GmbH D - 64625 Bensheim
DIMENSIONS: mm	TOLERANCES UNLESS OTHERWISE SPECIFIED: 0 PLC ±0.3 1 PLC ±0.3 2 PLC ±0.3 3 PLC ± 4 PLC ± ANGLES ±°	PRODUCT SPEC 108-18102 APPLICATION SPEC 114-18175 WEIGHT -	NAME SEAL FOR 4POS. JPT CONNECTOR SIZE A2 CAGE CODE 00779 DRAWING NO. C=963208 RESTRICTED TO -
MATERIAL -		CUSTOMER DRAWING	
		SCALE 5:1	SHEET 1 OF 1 REV D