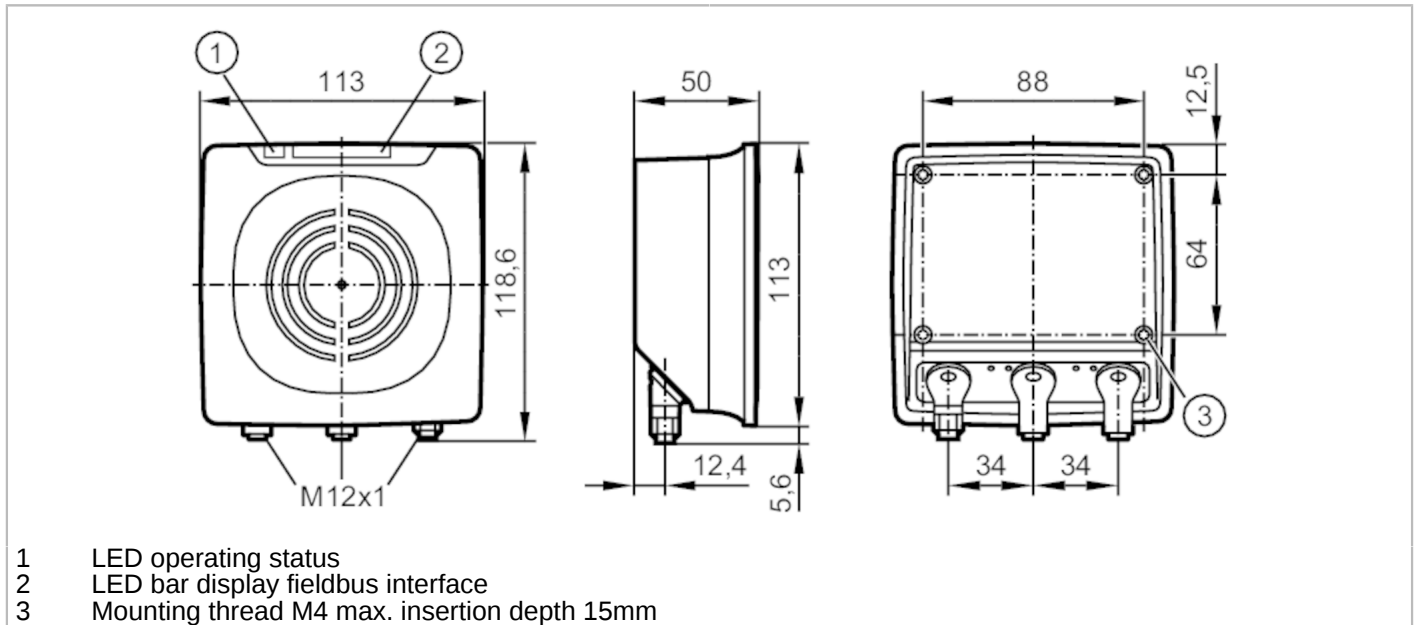


DTE602



Compact RFID device with fieldbus interface

DTRHF HLRWEIUS03



Application			
Radio approval for	Europe; Australia; China		
Electrical data			
Operating voltage [V]	19.2...28.8 DC		
Max. current consumption [mA]	500		
Protection class	III		
Operating frequency [MHz]	13,56		
RFID standard	ISO 15693		
Outputs			
Max. current load per output [mA]	100; (max.)		
Detection zone			
Distance write/read head front [mm]	600		
Distance write/read head side [mm]	850		
Note on distance write/read head	100%		transmission power
Distance to the ID tag [mm]	50 mm tag	:	<= 150
	ISO card	:	<= 180
Interfaces			
Communication interface	Ethernet		
Ethernet - EtherNet/IP			
Protocol	EtherNet/IP		
Usage type	data transmission		
Ethernet - TCP/IP			
Protocol	TCP/IP		
Factory settings	IP address: 192.168.0.79		
	subnet mask: 255.255.255.0		
	gateway IP address: 192.168.0.100		
Usage type	parameter setting; data transmission		

DTE602



Compact RFID device with fieldbus interface

DTRHF HLRWEIUS03

Operating conditions		
Ambient temperature	[°C]	-20...60
Storage temperature	[°C]	-25...80
Protection		IP 67
Tests / approvals		
EMC	EN 301 489-3	
Shock resistance	IEC 60028-2-27	40 g (6 ms) / bump
		50 g (11 ms) / single shock
Vibration resistance	EN 60068-2-6	2 g (10...150 Hz)
Radio approval	EN 300 330 V2.1.1	
MTTF	[years]	130
Mechanical data		
Weight	[g]	640.5
Dimensions	[mm]	113 x 113 x 50
Materials	PBT / PC; stainless steel; aluminium	
Displays / operating elements		
Display	voltage supply	1 x LED, green
	LED bar display	4 x LED, yellow signal strength ID tag
	status	2 x LED, green/red fieldbus interface
	status	2 x LED, green/yellow Ethernet
Remarks		
Pack quantity	1 pcs.	
Electrical connection - Ethernet		
ETH1 / ETH2		
1	TD+	
2	RD+	
3	TD-	
4	RD-	
Connector: 2 x M12		

DTE602



Compact RFID device with fieldbus interface

DTRHF HLRWEIUS03

Electrical connection - voltage supply

PWR

1	L+
2	digital input/output 2
3	L-
4	digital input/output 1
5	not used

Connector: 1 x M12

