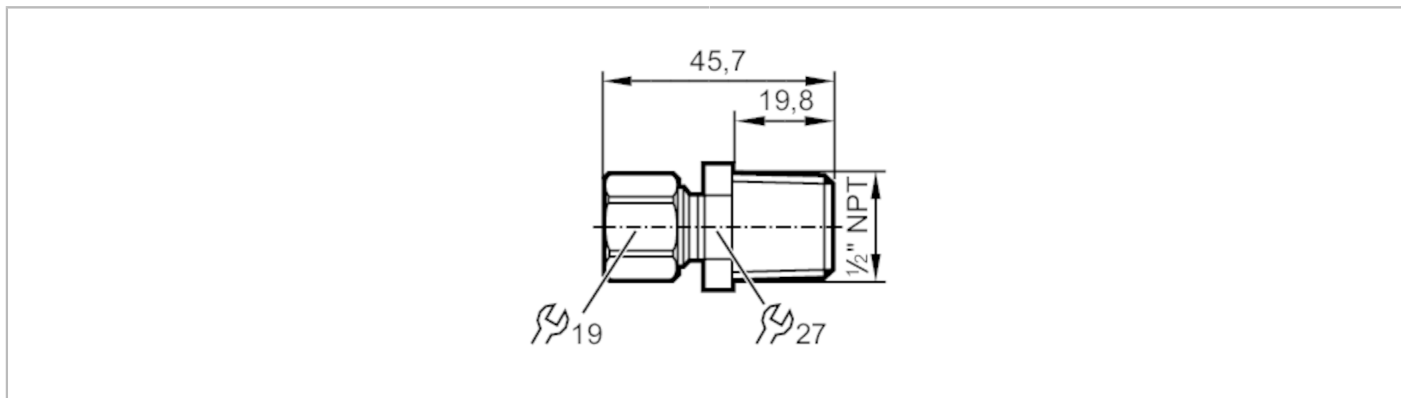


E30024



Progressive ring fitting for temperature sensors

PROGRESSIVE RG FITTING D10 NPT



CRN

Application	
Pressure rating	[bar] 50
Tests / approvals	
Pressure Equipment Directive	A possible classification to PED depends on the application and has to be carried out by the user / operator.
Safety instructions	The compatibility between medium and product material has to be checked in all applications.
Mechanical data	
Weight	[g] 84.9
Materials	stainless steel (1.4571/316Ti)
Sensor connection	Ø 10 mm
Process connection	1/2 NPT
Remarks	
Pack quantity	1 pcs.