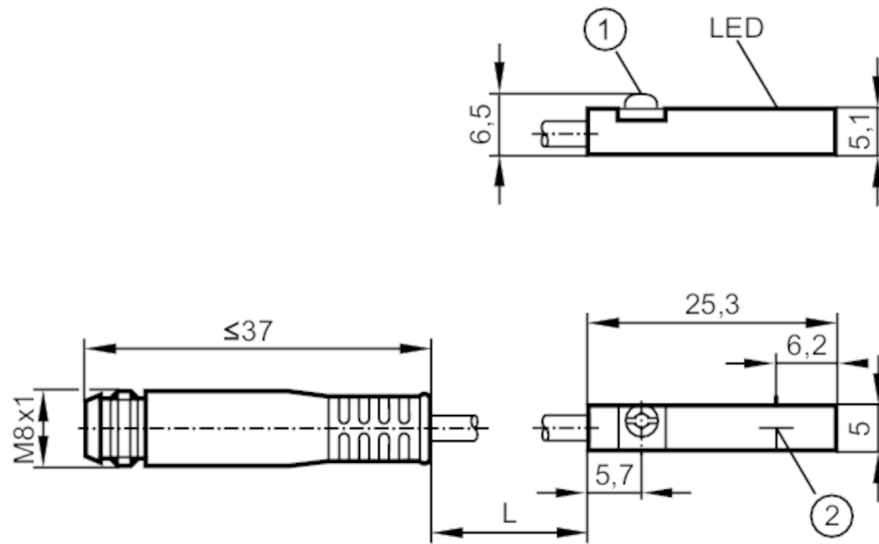


MK5127



T-slot cylinder sensor

MKT3028BBPKG/G/0,3M/ZH/AS



- 1 fastening clamp
2 Sensing face



Product characteristics

| | |
|-------------------|---------------|
| Electrical design | PNP |
| Output function | normally open |
| Dimensions [mm] | 25 x 5 x 6.5 |

Electrical data

| | |
|-------------------------------|---|
| Operating voltage [V] | 10...30 DC; ("supply class 2" to cULus) |
| Current consumption [mA] | < 10 |
| Protection class | III |
| Reverse polarity protection | yes |
| Max. power-on delay time [ms] | 30 |

Outputs

| | |
|--|---------------|
| Electrical design | PNP |
| Output function | normally open |
| Max. voltage drop switching output DC [V] | 2.5 |
| Permanent current rating of switching output DC [mA] | 200 |
| Switching frequency DC [Hz] | 10000 |
| Short-circuit protection | yes |
| Overload protection | yes |

Detection zone

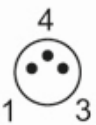
| | |
|---------------------------|------|
| Response sensitivity [mT] | 2.8 |
| Travel speed [m/s] | > 10 |

MK5127



T-slot cylinder sensor

MKT3028BBPKG/G/0,3M/ZH/AS

| Accuracy / deviations | | |
|---|---------------------------|---|
| Hysteresis | [mm] | < 1.5 |
| Repeatability | [mm] | < 0.2 |
| Operating conditions | | |
| Ambient temperature | [°C] | -25...85 |
| Protection | | IP 65; IP 67 |
| Tests / approvals | | |
| EMC | EN 61000-4-2 ESD | - CD / 8 kV AD |
| | EN 61000-4-3 HF radiated | 10 V/m |
| | EN 61000-4-4 Burst | 2 kV |
| | EN 61000-4-6 HF conducted | 10 V |
| | EN 55011 | class B |
| MTTF | [years] | 3694 |
| UL approval | UL Approval no. | C003 |
| Mechanical data | | |
| Weight | [g] | 12.1 |
| Mounting | | flush mountable |
| Type of mounting | | fastening clamp with combined slot / hexagon socket, width across flats 1.5 |
| Cylinder type | | T-slot cylinders; (Joucomatic) |
| Dimensions | [mm] | 25 x 5 x 6.5 |
| Materials | | housing: PA; fastening clamp: stainless steel |
| Displays / operating elements | | |
| Display | switching status | 1 x LED, yellow |
| Accessories | | |
| Accessories (supplied) | | rubber placeholder: 1 Cable clip: 1 |
| Remarks | | |
| Pack quantity | | 1 pcs. |
| Electrical connection - plug | | |
| Cable: 0.3 m, PUR | | |
| Connector: 1 x M8; Locking: snap-fit | | |
|  | | |



MK5127

T-slot cylinder sensor

MKT3028BBPKG/G/0,3M/ZH/AS



Connection

