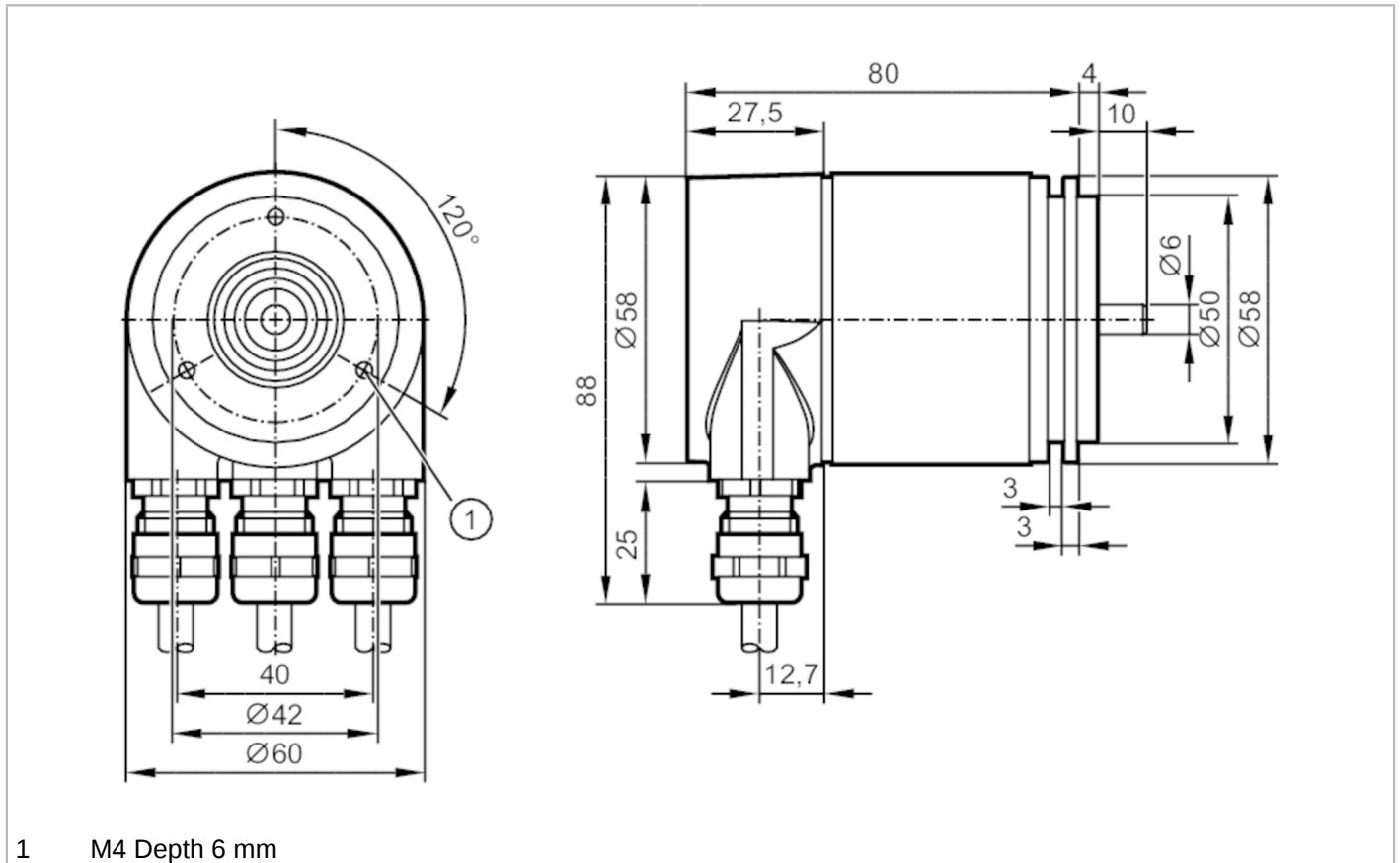


RM7011



Absolute multiturn encoder with solid shaft

RMS0025-C24/E



| Product characteristics | |
|-----------------------------|---|
| Resolution | 8192 steps; 4096 revolutions; 25 bit |
| Communication interface | CAN |
| Shaft design | solid shaft |
| Shaft diameter [mm] | 6 |
| Application | |
| Function principle | absolute |
| Revolution type | multiturn |
| Electrical data | |
| Operating voltage [V] | 10...30 DC |
| Current consumption [mA] | 230; ((10 V DC); 100 (24 V DC)) |
| Reverse polarity protection | yes |
| Outputs | |
| Code | binary |
| Measuring/setting range | |
| Resolution | 8192 steps; 4096 revolutions; 25 bit |
| Software / programming | |
| Parameter setting options | CAN parameter; scaling; preset; Baud rate; direction of rotation; Node ID |
| Addressing | address selector switch; 0...126 |

RM7011



Absolute multiturn encoder with solid shaft

RMS0025-C24/E

| Interfaces | | |
|---|---|---------------------|
| Communication interface | CAN | |
| CAN | | |
| Protocol | CANopen | |
| Factory settings | Baud rate: 125 k node ID: 32 | |
| Version | DSP - 406 V3.1; DS 301 V4.02; DS 306 V2.0 | |
| Operating conditions | | |
| Ambient temperature [°C] | -40...85 | |
| Max. relative air humidity [%] | 98 | |
| Protection | IP 65; (IP 65: on the housing; IP 64: on the shaft) | |
| Tests / approvals | | |
| Shock resistance | 100 g (6 ms) | |
| Vibration resistance | 10 g (10...1000 Hz) | |
| MTTF [years] | 13 | |
| Mechanical data | | |
| Weight [g] | 624.6 | |
| Dimensions [mm] | Ø 58 / L = 94 | |
| Materials | aluminium | |
| Max. revolution, mechanical [U/min] | 6000 | |
| Shaft design | solid shaft | |
| Shaft diameter [mm] | 6 | |
| Shaft material | steel (1.4104) | |
| Max. shaft load axial (at the shaft end) [N] | 40 | |
| Max. shaft load radial (at the shaft end) [N] | 110 | |
| Fixing flange | synchro-flange | |
| Displays / operating elements | | |
| Display | Preoperational Mode | LED, green flashing |
| | Operational Mode | LED, green |
| | error message | LED, red flashing |
| Electrical connection | | |
| terminal strip in the terminal chamber: | | |