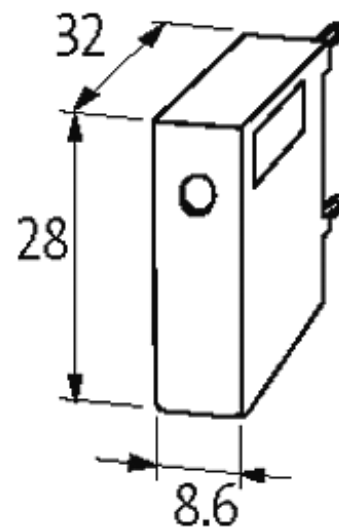


SIEMENS CONTACTOR SUPPRESSOR

RC, 110VAC/DC

110 V AC/DC
RC

For other configurations and voltages, please inquire

[Link to Product](#)**Illustration**



RC

Product may differ from Image

Approvals



Appropriate contactors

3 RH 1/11; 3 RT 1/3 RH1; 3 RT 1/10.15...10.17

Technical Data

Damping factor	approx. 1.5 × UN
Material	Flame retardant plastic acc. to (UL 94)
Connection wires	Plug contact

General data

Temperature range	-20...+70 °C
Dimensions H × W × D	28×8.6×32 mm

Commercial data

country of origin	DE
customs tariff number	85363010
minimum order quantity	1