

M12 female 90° with cable

PUR 5x0.34 gy UL/CSA 0,3m

M12

Female 90°

5-pole

Art.-No. 7005 - M12 Lite - (plastic hexagonal screw) on request

Plastic housings with good resistance against chemicals and oils. The resistance to aggressive media should be individually tested for your application. Further details on request. Further cable lengths on request.

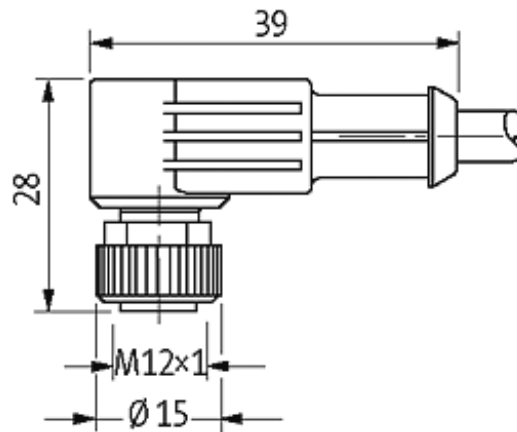
[Link to Product](#)

Illustration



(* for cable type 126 and 732)

Female



Product may differ from Image