

ALPHA 160 DIN, WALL-MOUNTED DB, SM UNEQ.
 DISTR. BOARD RAL 9016 IP43 SK2, H=500 W=800
 D=140



Protection class

Protection class IP	IP43
---------------------	------

Mechanical Design

Height	mm	500
Width	mm	800
Depth	mm	140
Installation depth	mm	140
Material / of the enclosure	sheet steel/plastic	

General Product Approval	Declaration of Conformity	Test Certificates
--------------------------	---------------------------	-------------------



[other](#)



[Special Test Certificate](#)

[Type Test Certificates/Test Report](#)

Test Certificates

[other](#)

Further information

Information- and Downloadcenter (Catalogs, Brochures,...)
<http://www.siemens.com/lowvoltage/catalogs>

Industry Mall (Online ordering system)

<https://eb.automation.siemens.com/mall/en/WW/Catalog/Product/8GK10321KK31>

Service&Support (Manuals, Certificates, Characteristics, FAQs,...)

<http://support.automation.siemens.com/WW/view/en/8GK10321KK31/all>

Image database (product images, 2D dimension drawings, 3D models, device circuit diagrams, ...)

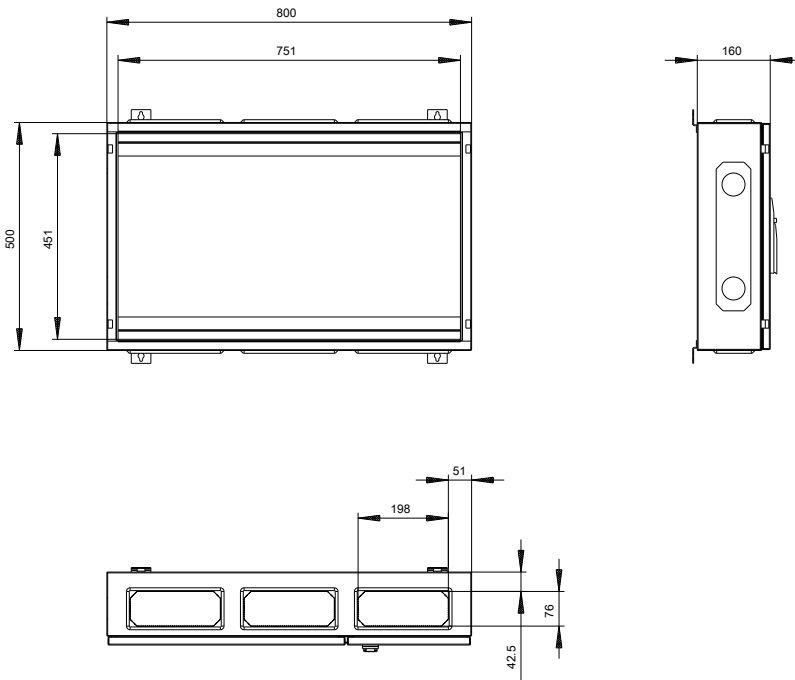
http://www.automation.siemens.com/bilddb/cax_en.aspx?mlfb=8GK10321KK31

CAX-Online-Generator

<http://www.siemens.com/cax>

Tender specifications

<http://ausschreibungstexte.siemens.com/tiplv>



last modified:

11.03.2015