

THIS DRAWING IS UNPUBLISHED.

RELEASED FOR PUBLICATION

-. -. .

ALL RIGHTS RESERVED.

© COPYRIGHT - By -

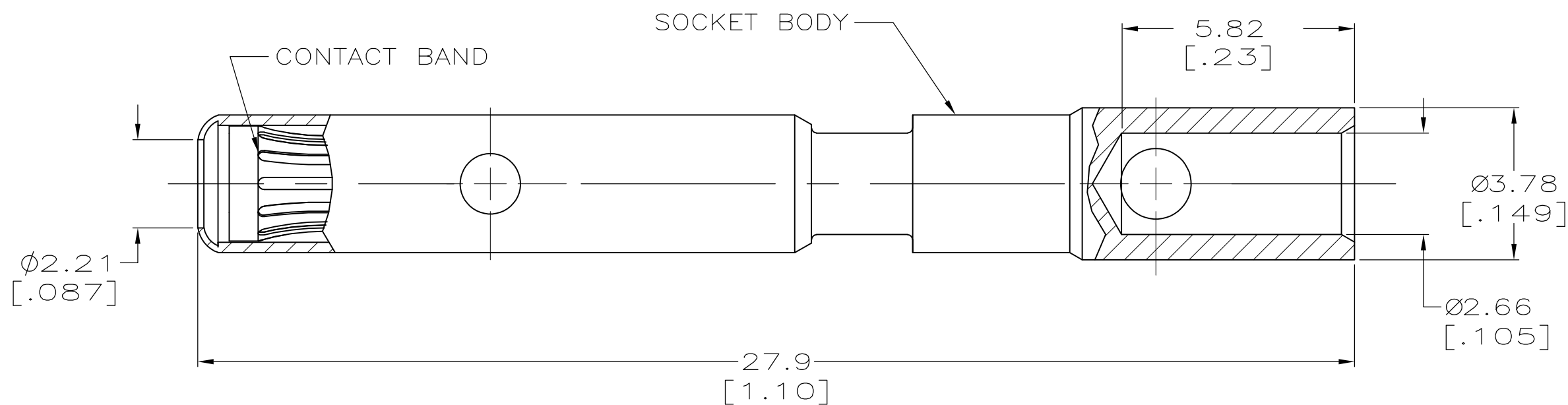
LOC
FT

DIST
0

REVISIONS

P	LTR	DESCRIPTION	DATE	DWN	APVD
	H2	REVISED PER ECO-11-004917	11MAR11	RK	HMR

- 1 MATERIAL: BODY - COPPER ALLOY
BAND - BeCu
- 2 FINISH: BODY AND BAND - .0002 IN. SILVER
OVER .00004 IN. NICKEL.
- 3. WIRE BARREL WILL ACCEPT 12-14 AWG WIRE.
- 4. MATES WITH AMP PART NUMBER 193841-1.
- 5 FINISH: BODY - 30 uIN GOLD MIN. OVER 50 uIN
NICKEL MIN. BAND- GOLD
- 6 FINISH: BODY AND BAND -
AT MINIMUM, HARD GOLD FLASH OVER 40 uINCHES
80-20 Pd/Ni OVER 100 uINCHES NICKEL.
- 7. ALL DIMENSIONS ARE REFERENCE.



	6	193842-3
OBSOLETE	5	193842-2
	2	193842-1
FINISH		PART NO.

THIS DRAWING IS A CONTROLLED DOCUMENT.		DWN C. M. SVOBODA	03-18-94	STE TE Connectivity	
DIMENSIONS: mm [INCHES]		CHK	-		
TOLERANCES UNLESS OTHERWISE SPECIFIED:		APVD	-	NAME SOCKET ASSY, 2mm, 12-14 AWG HIGHCURRENT MATE-N-LOK II	
0 PLC ± -		PRODUCT SPEC	-	APPLICATION SPEC	
1 PLC ± -		APPLIC. SPEC	-	SIZE	A3
2 PLC ± -		WEIGHT	-	CAGE CODE	00779
3 PLC ± -		CUSTOMER DRAWING		DRAWING NO	C-193842
4 PLC ± -		SCALE	-	RESTRICTED TO	-
ANGLES ± -		SHEET	1 OF 1	REV	H2
FINISH					
1					