

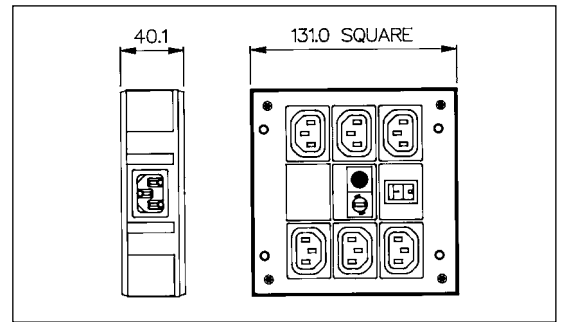
IEC Square Distribution Units

IEC DISTRIBUTION UNIT



PXD701/061/10/1

- Six Shuttered Outlets
- 5 x 20mm Fuseholder
- Filtered or Non Filtered
- Switch, Fuse, Neon Indicator
- With IEC Inlet
- 10A, 250V a.c.

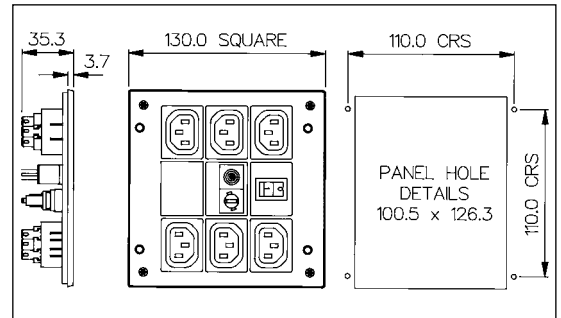


IEC PANEL MOUNT DISTRIBUTION UNIT



PXD500/061/10/1

- Six Shuttered Outlets
- 5 x 20mm Fuseholder
- Switch, Fuse, Neon Indicator
- Screw Fit to Panel
- 10A, 250V

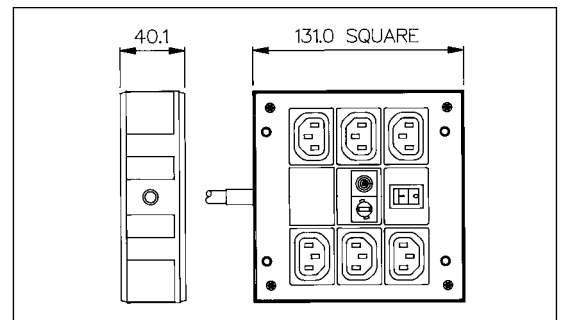


IEC DISTRIBUTION UNIT



PXD703/061/10/1
PXD706/061/10/1

- Six Shuttered Outlets
- 5 x 20mm Fuseholder
- Filtered or Non Filtered
- Switch, Fuse, Neon Indicator
- 2 Metre Cable with BS1363 or CEE7 Plug
- 10A, 250V



IEC CONNECTORS

Specification		Part No.	Inlet	Outlet	EMI Filter	Switch	Fuse	Neon Indicator
Mouldings:	Thermoplastic	Panel Style:						
Housing:	ABS	PXD500/061/10/1		6 Shuttered		1	1	1
Connectors:	Nylon	Box Style:						
Contacts:	Outlets: Brass, Tin Plated Inlets: Brass, Nickel Plated	PXD701/061/10/1	1	6 Shuttered		1	1	1
Voltage Rating:	250V a.c. 50/60Hz	PXD701/561/10/1	1	6 Shuttered	✓	1	1	1
Current Rating:	10A	PXD703/061/10/1	2m cable with BS 1363 plug	6 Shuttered		1	1	1
Proof Voltage:	2kV	PXD703/561/10/1	2m cable with BS 1363 plug	6 Shuttered	✓	1	1	1
Temp. Range:	-5°C to +60°C	PXD706/061/10/1	2m cable with CEE7 Sheet VII plug	6 Shuttered		1	1	1
RoHS	Compliant							
Filter								

Max. Earth Leakage Current:	<0.35mA (at 250V, 50Hz)	Other versions available on request.						
Capacitor:	2 x 2.2nF (Y), 1 x 15nF (X)							
Inductance:	2 x 0.35mH							
Fuse:	5 x 20mm, 10A (ceramic HRC type, IEC 127)							