


PCN	Product Change Notification	De-22-012-0661	
Product	SMC	Date of Publication:	
		20.12.2022	

Title: SMC cable assembled IDC with optimized casing locking latch

Type of Notification: major (A) change

Type of Change:

- Design
- Material
- Other
- Packing / Shipping / Labeling
- Product Marketing
- Product termination
- Production location
- Production process
- Specification
- Test / Testing

Effective date:

01.01.2024

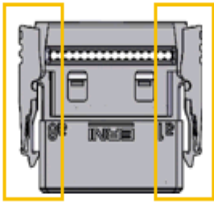
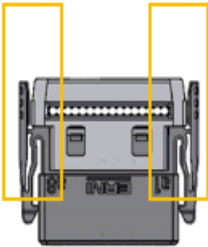
Originator: Thomas Oberschelp/BEE/Technik/EE/de/ERNI , +49 7166 50-

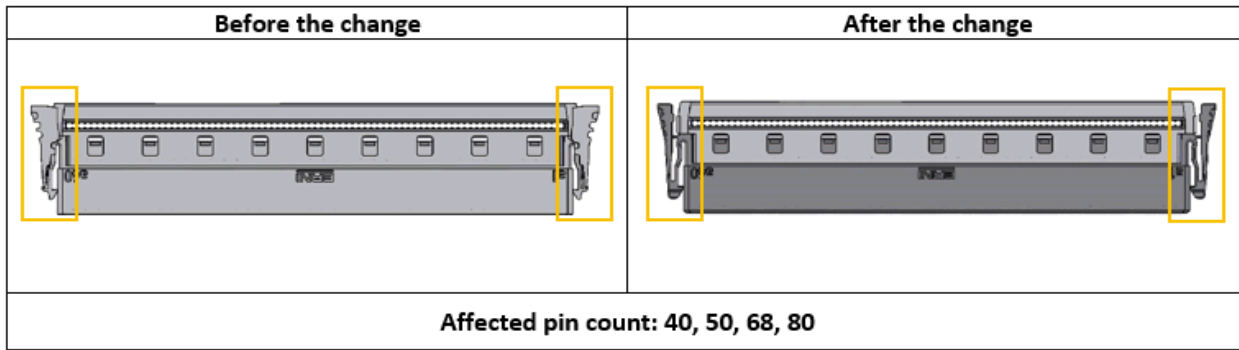
Reason and description of change:

Valued Customer,

In order to enhance the performance of SMC product reliability ERNI has decided to optimize the design of the housing locking latch of the IDC female connector.

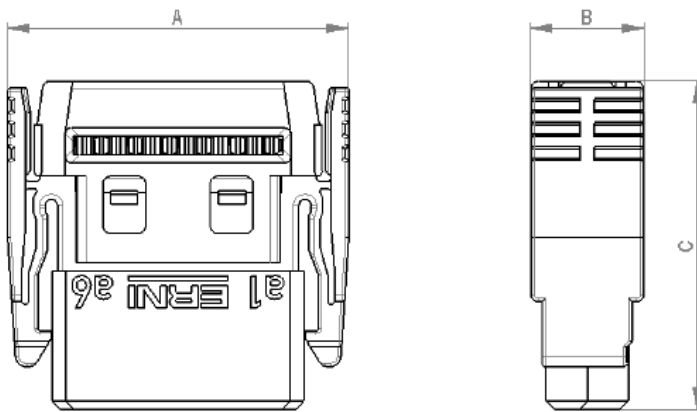
For this reason, the geometry of the housing locking latch of the SMC IDC female connector has been optimized as follows, below pictures demonstrate the change of locking latch marked in orange.

Before the change	After the change
	
<p>Affected pin count: 12, 16, 20,26, 32</p>	



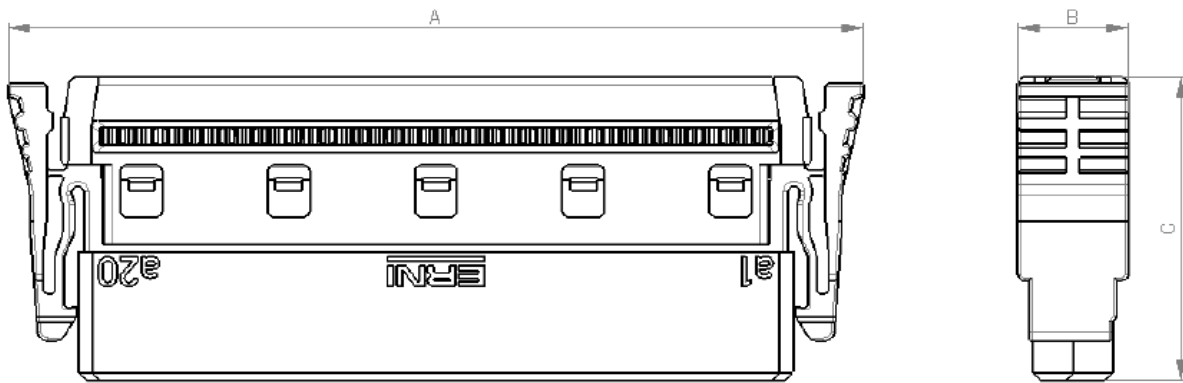
The change enhances the insertion behavior. As a result, the new designed housing locking latch offers a higher housing retention force. Additionally, the design upgrade also improves the haptic and handling of the IDC female connector. With regards to the design of the female housing, the size of the housing width has been kept the same as before.

Design 12-pin up to 32-pin



Pin count	Dimension A [mm] (nominal)		Dimension B [mm] (nominal)		Dimension C [mm] (nominal)	
	Before change	After change	Before change	After change	Before change	After change
12	12,69	12,70	4,20	4,20	12,30	12,30
16	15,23	15,24	4,20	4,20	12,30	12,30
20	17,77	17,78	4,20	4,20	12,30	12,30
26	21,58	21,59	4,20	4,20	12,30	12,30
32	25,39	25,40	4,20	4,20	12,30	12,30

Design 40-pin up to 80-pin



Pin count	Dimension A [mm] (nominal)		Dimension B [mm] (nominal)		Dimension C [mm] (nominal)	
	Before change	After change	Before change	After change	Before change	After change
40	32,53	32,52	4,20	4,20	12,30	12,30
50	38,88	38,87	4,20	4,20	12,30	12,30
68	50,31	50,30	4,20	4,20	12,30	12,30
80	57,93	57,92	4,20	4,20	12,30	12,30

The new design is fully compatible with the old design. It doesn't require any change to the male connector.

This change will ensure reliability of the product and has no impact on fit or function of these products. It will be operated without a part number change.

The article numbers listed in this PCN are the 12, 20 and 26 pin IDC female connector versions. This change will be effective from January 1st 2024 on.

Products Affected / Types

SMC

Part.-No:

163188	163290	163290	163371	163387
163971	166066	166133	166249	166254
166277	166280	166283	166302	166312
166398	166421	166429	166430	166457
166457	166562	166635	166763	166790
166812	166823	166897	166907	166909
166929	166978	166992	167022	167049
167085	167119	167137	167263	167277
167278	167394	167421	167467	167487
167488	167513	167521	167545	167563

167648	167659	167666	167705	167793
167824	167847	167936	167961	167963
167977	168031	168053	168118	168119
168120	168121	168175	168177	168278
168279	168296	168297	168298	168300
168312	168313	168314	168315	168316
168318	168322	168323	168324	168326
168369	168378	168416	168417	168426
168426	168427	168429	168545	168554
168576	168577	168673	168804	168853
168866	168934	168953	168977	168985
169023	169081	169083	169092	169253
169296	169328	169329	169335	169369
169388	169408	169473	169572	169622
169673	169677	169758	169765	169766
169770	169791	169863	169878	169890
169892	169893	169894	169895	170011
170054	170103	170158	170159	170167
170168	170291	170306	170330	170413
170428	170431	170432	170438	170506
170520	170521	170522	170553	170629
170651	170653	170690	170692	173369
173370	173796	173797	173798	173799
173800	173801	175039	175043	175225
175240	175327	175745	175823	175847
175848	175849	175903	175920	175921
175941	175942	175943	176018	176245
176246	176247	176248	176249	176304
176333	176338	176339	176445	176446
176505	176558	176581	176666	176793
177065	177070	177083	177086	177087
177100	177119	177136	177139	177198
177269	177312	177349	177500	177521
177525	177526	177527	177528	177529
177535	177607	177656	177723	177763
177764	177766	177767	177838	177863
177864	177947	177948	177950	178051
178070	178132	178171	178183	178209
178328	178408	178464	178465	178501
178502	178536	178539	178606	178671
178676	178697	178765	178789	178849
178849	178850	178851	178852	178853
178854	178855	178856	178857	178858
178859	178860	178861	178862	178863

178864	178874	178875	178876	178877
178878	178879	178880	178885	178886
178887	178888	178889	178890	178891
193371	193479	193695	373889	838012
838017	838018	838023	838027	838028
838030	838031	838036	838037	838039
838042	838051	838052	838054	838059
838073	838075	838083	838089	838092
838093	838103	838109	838115	838117
838127	838131	838134	838138	838140
838161	838162	838163	838167	838168
838171	838173	838175	838182	838183
838186	838187	838188	838189	838191
838193	838194	838195	838196	838202
838208	838210	838213	838217	838219
838223	838225	838226	838227	838230
838233	838234	838238	838239	838240
838241	838245	838247	838257	838258
838259	838260	838267	838268	838269
838270	838271	838273	838274	838276
838279	838281	838282	838283	838287
838288	838290	838291	838293	838294
838302	838307	838308	838309	838310
838313	838314	838315	838320	838321
838322	838324	838326	838329	838330
838331	838338	838339	838351	838352
838354	838355	838356	838357	838358
838362	838370	838372	838376	838378
838383	838386	838389	838390	838391
838392	838401	838402	838404	838405
838407	838409	838410	838411	838413
838414	838416	838417	838418	838419
838420	838422	838423	838424	838425
838427	838430	838431	838432	838434
838435	838436	838437	838438	838439
838440	838441	838442	838444	838445
838447	838448	838449	838452	838453
838454	838456	838457	838462	838463
838465	838467	838469	838470	838471
838472	838473	838475	838476	838480
838481	838486	838487	838488	838493
838494	838495	838503	838504	838505
838506	838507	838508	838509	838515
838516	838519	838521	838522	838523

838531	838536	838538	838539	838540
838544	838547	838554	838555	838563
838563	838572	838573	838574	838578
838599	838600	843545	843547	843569
843570	843571	843572	843573	843574
843581	843582	843583	843648	843649
843650	843651	843756	843757	843773
843774	843775	843776	843777	843778
843779	843780	843781	843782	843783
843784	843785	843786	843787	843788
843789	843792	843799	843803	843816
843817	843831	843846	844071	844072
844072	854025	854027	854028	854029
854032				

Reference Documents available at :

<http://www.erni.com>

Additional information, samples etc., on request

PCN Revision History:

Date of Revision:	Revision Number:	Reason: