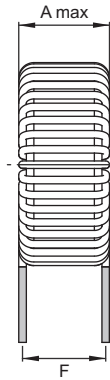
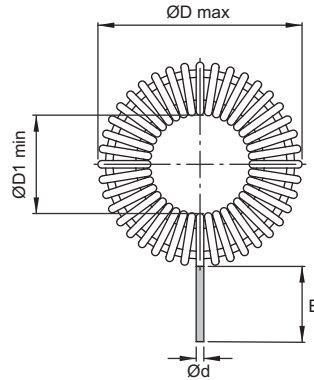


TLC/0.1A



Part No	Inductance (fL = 1 kHz)		Tol ± (%)	DCR max (mΩ)	Weight (grams)	Dimensions					
	At Idc=0A (μH)	At rated current (μH)				ØD max	F	A max	E	Ød	ØD1 min
TLC/0.1A-100M-00	10	10	20	330	2	12	4	5	10	0.15	4.5
TLC/0.1A-150M-00	15	15	20	420	2	12	4	5	10	0.15	4.5
TLC/0.1A-220M-00	22	22	20	500	2	12	4	5	10	0.15	4.5
TLC/0.1A-330M-00	33	32.9	20	600	2	12	4	5	10	0.15	4.5
TLC/0.1A-470M-00	47	46.8	20	640	2	12	4	5	10	0.15	4.5
TLC/0.1A-680M-00	68	67.6	20	830	2	12	4	5	10	0.15	4.5
TLC/0.1A-101M-00	100	99.3	20	940	2	12	4	5	10	0.15	4.5
TLC/0.1A-151M-00	150	148.5	20	1270	2.1	12	4	5	10	0.15	4.5
TLC/0.1A-221M-00	220	216.7	20	1480	2.1	12	4	5	10	0.15	4.5
TLC/0.1A-331M-00	330	324	20	1880	2.1	12	4	5	10	0.15	4.5
TLC/0.1A-471M-00	470	458.7	20	2020	2.2	12.5	4.5	5.5	10	0.15	4.5
TLC/0.1A-681M-00	680	656.2	20	2670	2.3	12.5	4.5	5.5	10	0.15	4.5
TLC/0.1A-102M-00	1000	955	20	3100	2.4	12.5	4.5	5.5	10	0.15	4.5

Material : Iron Dust

Revision date : 28 Aug 2013

SPQ : Loose / Box 2000 [-00]

Remarks : Customized Versions available on request.

Toroid Line Chokes (TLC)