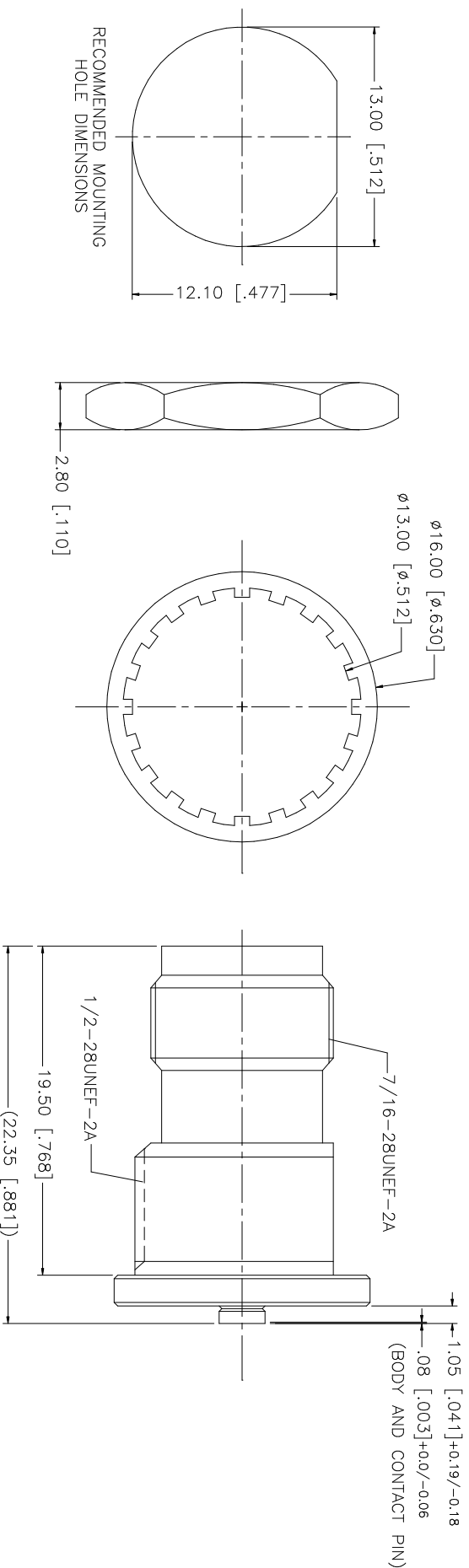


REV.	DATE	DESCRIPTION
A	04/06/04	MODIFY PART DESCRIPTION - REMOVE "REVERSE POLARITY"
B	05/26/06	REVISE PART DESCRIPTION TO "AMC" JACK



NOTES:
 1. MAX. PANEL THICKNESS = 5mm

REV.	DATE	DESCRIPTION
8		
7		
6		
5		
4		
3		
2		
1		

QTY	DESCRIPTION	MATERIAL	FINISH
1	HEX NUT	BRASS	NICKEL
1	LOCK WASHER	BRASS	NICKEL
1	BODY	BRASS	NICKEL
1	INSULATOR	TEFLON	NATURAL
1	CONTACT PIN	BRASS	GOLD
1	BODY	BRASS	NICKEL

APPROVALS	DATE
DRAWN G.R.S.	05/26/06
CHECKED	
ISSUED	
SHEET 1 OF 1	

PART DESCRIPTION	PART NO.
AMC JACK TO TNC JACK BULKHEAD ADAPTER	242192

UNLESS OTHERWISE SPECIFIED DIMENSIONS ARE INCHES AND FOR CUSTOMER REFERENCE ONLY.	UNLESS OTHERWISE SPECIFIED DIMENSIONS ARE MILLIMETERS ONLY.
TOLERANCES FOR MILLIMETERS ARE:	
0.5 - 8mm ± 0.20mm	
8 - 30mm ± 0.40mm	
30 - 120mm ± 0.50mm	
UNLESS OTHERWISE SPECIFIED TOLERANCES FOR INCHES ARE:	
.020 - .315 = ± 0.007"	
.315 - 1.180 = ± 0.015"	
1.180 - 4.724 = ± 0.020"	

DO NOT SCALE DRAWING	CAD FILE	DWG. NO.	REV.	SIZE	SCALE
	C:/242/242192.DWG	242192.DWG	B	A	NA

Amphenol Connex