



Data Sheet - TRU Components Signal Lamp

Last updated: 20 April 2024

Technical Data

Product type	: Signal Lamp
Housing	: Stainless steel
Method of fitting	: Screw fastening
Tightening torque	: 0.6 Nm
Mounting-hole	: <i>See table below</i>
Protection class	: IP67
Connection	: Wire leading
Operating voltage	: 12 V
Operating temperature	: -25 ~ +55 °C
Storage temperature	: -25 ~ +55 °C

Material

Housing	: Stainless steel
Seal ring/ Sealing disk	: Silicon
Washer	: N/A
Nut	: Brass

Data Sheet - TRU Components Signal Lamp

Technical Table

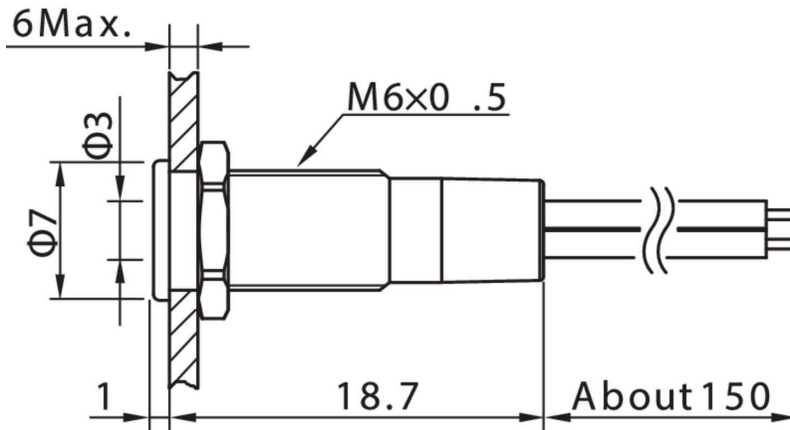
Article number	Luminous Intensity	Viewing Angle	Mounting-hole	Current	Life-Time	Color
1873778	80 mcd	160 degree	6 mm	About 15 mA	40,000 hours	Red
1873779	200 mcd	160 degree	6 mm	About 15 mA	40,000 hours	Green
1873780	60 mcd	160 degree	6 mm	About 15 mA	40,000 hours	Blue
1873782	80 mcd	30 degree	6 mm	About 15 mA	40,000 hours	Red
1873783	150 mcd	30 degree	6 mm	About 15 mA	40,000 hours	Green
1873784	60 mcd	30 degree	6 mm	About 15 mA	40,000 hours	Blue
1873786	70 mcd	160 degree	8 mm	About 15 mA	40,000 hours	Red
1873787	200 mcd	160 degree	8 mm	About 15 mA	40,000 hours	Green
1873788	60 mcd	160 degree	8 mm	About 15 mA	40,000 hours	Blue
1873789	350 mcd	160 degree	8 mm	About 15 mA	40,000 hours	White
1873790	60 mcd	20 degree	8 mm	About 15 mA	40,000 hours	Red
1873791	200 mcd	20 degree	8 mm	About 15 mA	40,000 hours	Green
1873792	60 mcd	20 degree	8 mm	About 15 mA	40,000 hours	Blue
1873794	70 mcd	160 degree	10 mm	About 15 mA	40,000 hours	Red
1873795	200 mcd	160 degree	10 mm	About 15 mA	40,000 hours	Green
1873796	60 mcd	160 degree	10 mm	About 15 mA	40,000 hours	Blue
1873797	350 mcd	160 degree	10 mm	About 15 mA	40,000 hours	White
1873798	60 mcd	20 degree	10 mm	About 15 mA	40,000 hours	Red
1873799	200 mcd	20 degree	10 mm	About 15 mA	40,000 hours	Green
1873800	60 mcd	20 degree	10 mm	About 15 mA	40,000 hours	Blue
1873802	60 mcd	160 degree	12 mm	About 15 mA	40,000 hours	Red
1873803	200 mcd	160 degree	12 mm	About 15 mA	40,000 hours	Green
1873804	60 mcd	160 degree	12 mm	About 15 mA	40,000 hours	Blue
1873805	350 mcd	180 degree	12 mm	About 15 mA	40,000 hours	White
1873806	80 mcd	30 degree	12 mm	About 15 mA	40,000 hours	Red
1873807	150 mcd	30 degree	12 mm	About 15 mA	40,000 hours	Green
1873808	60 mcd	30 degree	12 mm	About 15 mA	40,000 hours	Blue
1873809	350 mcd	35 degree	12 mm	About 15 mA	40,000 hours	White
1873810	200 mcd	160 degree	14 mm	About 15 mA	40,000 hours	Red
1873811	60 mcd	160 degree	14 mm	About 15 mA	40,000 hours	Green
1873812	350 mcd	180 degree	14 mm	About 15 mA	40,000 hours	Blue
1873814	80 mcd	30 degree	14 mm	About 15 mA	40,000 hours	Red
1873815	150 mcd	30 degree	14 mm	About 15 mA	40,000 hours	Green
1873817	350 mcd	35 degree	14 mm	About 15 mA	40,000 hours	White

Please find dimensions with line drawings below (in mm)

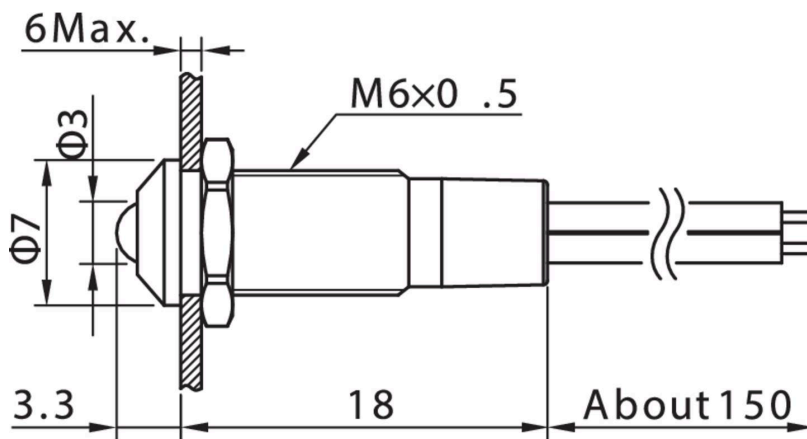


Data Sheet - TRU Components Signal Lamp

Article No.1873778, 1873779, 1873780



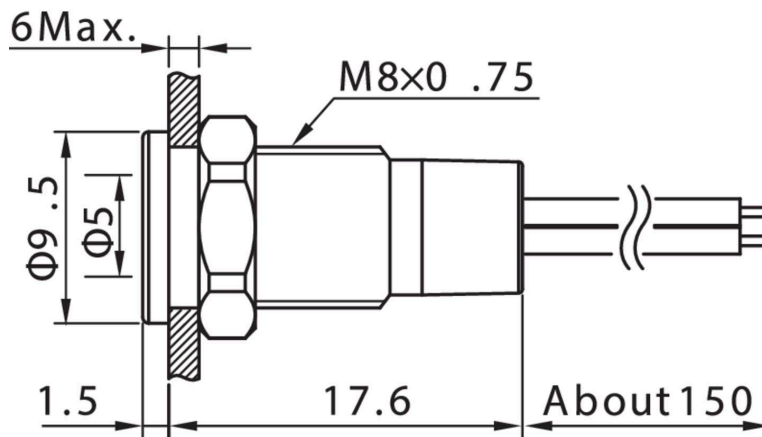
Article No.1873782, 1873783, 1873784



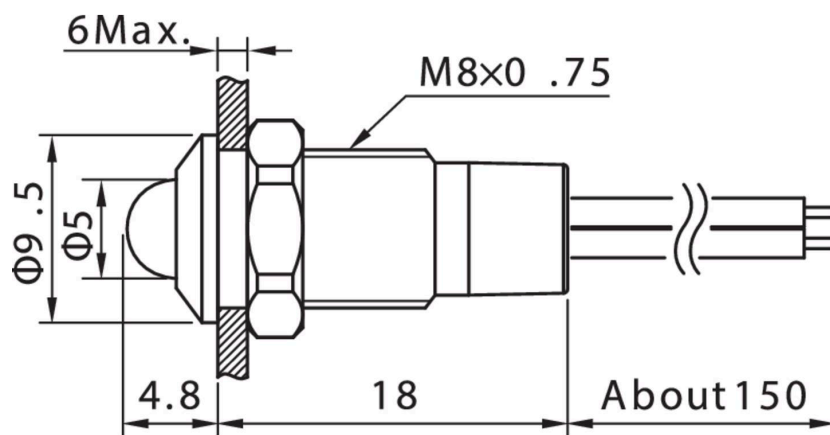


Data Sheet - TRU Components Signal Lamp

Article No.1873786, 1873787, 1873788, 1873789



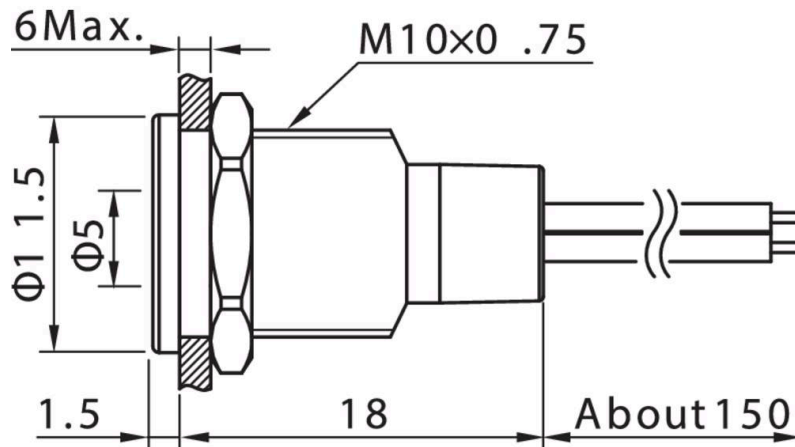
Article No.1873790, 1873791, 1873792



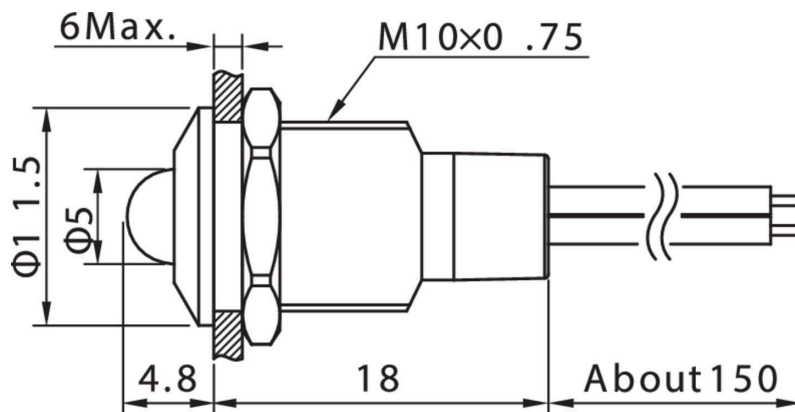


Data Sheet - TRU Components Signal Lamp

Article No.1873794, 1873795, 1873796, 1873797



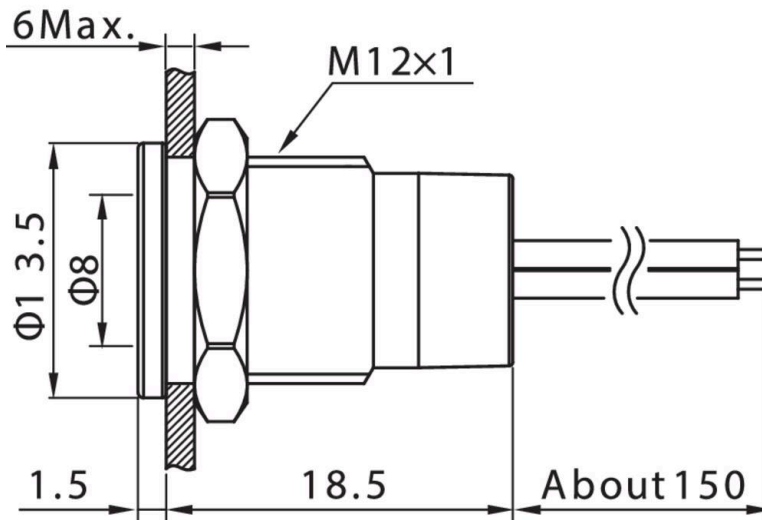
Article No.1873798, 1873799, 1873800



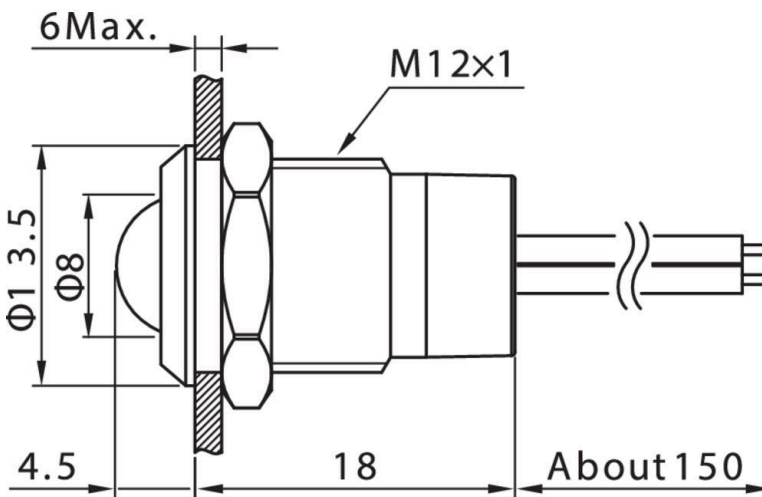


Data Sheet - TRU Components Signal Lamp

Article No.1873802, 1873803, 1873804, 1873805



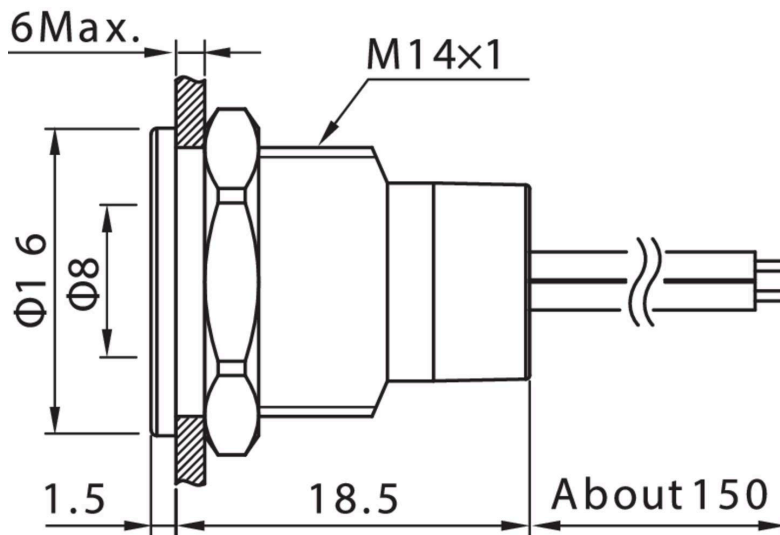
Article No.1873806, 1873807, 1873808, 1873809





Data Sheet - TRU Components Signal Lamp

Article No.1873810, 1873811, 1873812



Article No.1873814, 1873815, 1873817

