

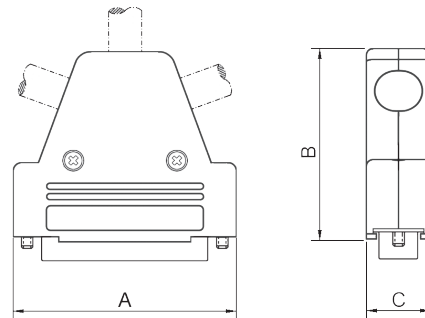
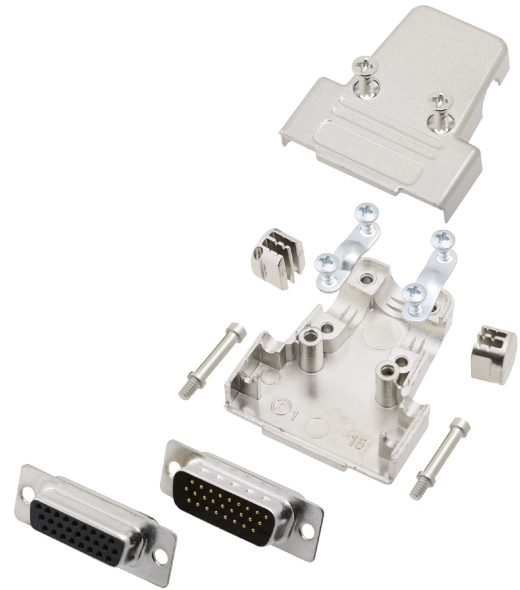
**TECHNICAL SPECIFICATIONS**

**D-Sub Hood:**

Material: UL Recognised Plastic Material  
 Plating: Nickel over Copper  
 Operating Temperature: -55°C to +110°C  
 Cable Entry: Side / Top / Side  
 Thumbscrews: UNC 4-40 (Standard)  
 Cable O.D: Up to 13mm

**D-Sub High Density:**

Insulator: PBT, Black, UL94 V-0  
 Shell: Stamped Steel, Tin Plated  
 Contact pins: Copper Alloy  
 Stamped & Formed pins: 100 inserts min  
 Contacts Plating: Selective Gold over Nickel  
 Operating Temperature: -55°C to +105°C  
 Withstanding voltage: 500V for 1 minute  
 Insulator resistance: 500MΩ min



D-Sub-Hood

**Features:**

- Available in sizes 9-15-25-37
- All sizes feature 3-Way Entry solution
- Re-openable
- Hood is supplied with 2 Blanking Plates and 2 Strain Relief clamps.

Size TRI-M	Dim A	Dim B	Dim C
9-way	31,0	45,2	15,0
15-way	40,3	45,2	15,0
25-way	53,5	45,2	15,0
37-way	70,0	45,2	15,0

**Ordering information:**

**D-Sub Connector Kits (100 inserts min.)**

Size:	P/N - Kitted:	Product Code - MALE Conn. Kit
HD 15	6355-0058-01	TRI-M-09-HDP15-K
HD 26	6355-0058-02	TRI-M-15-HDP26-K
HD 44	6355-0058-03	TRI-M-25-HDP44-K
HD 62	6355-0058-04	TRI-M-37-HDP62-K

Size:	P/N - Kitted:	Product Code - FEMALE Conn. Kit
HD 15	6355-0058-11	TRI-M-09-HDS15-K
HD 26	6355-0058-12	TRI-M-15-HDS26-K
HD 44	6355-0058-13	TRI-M-25-HDS44-K
HD 62	6355-0058-14	TRI-M-37-HDS62-K