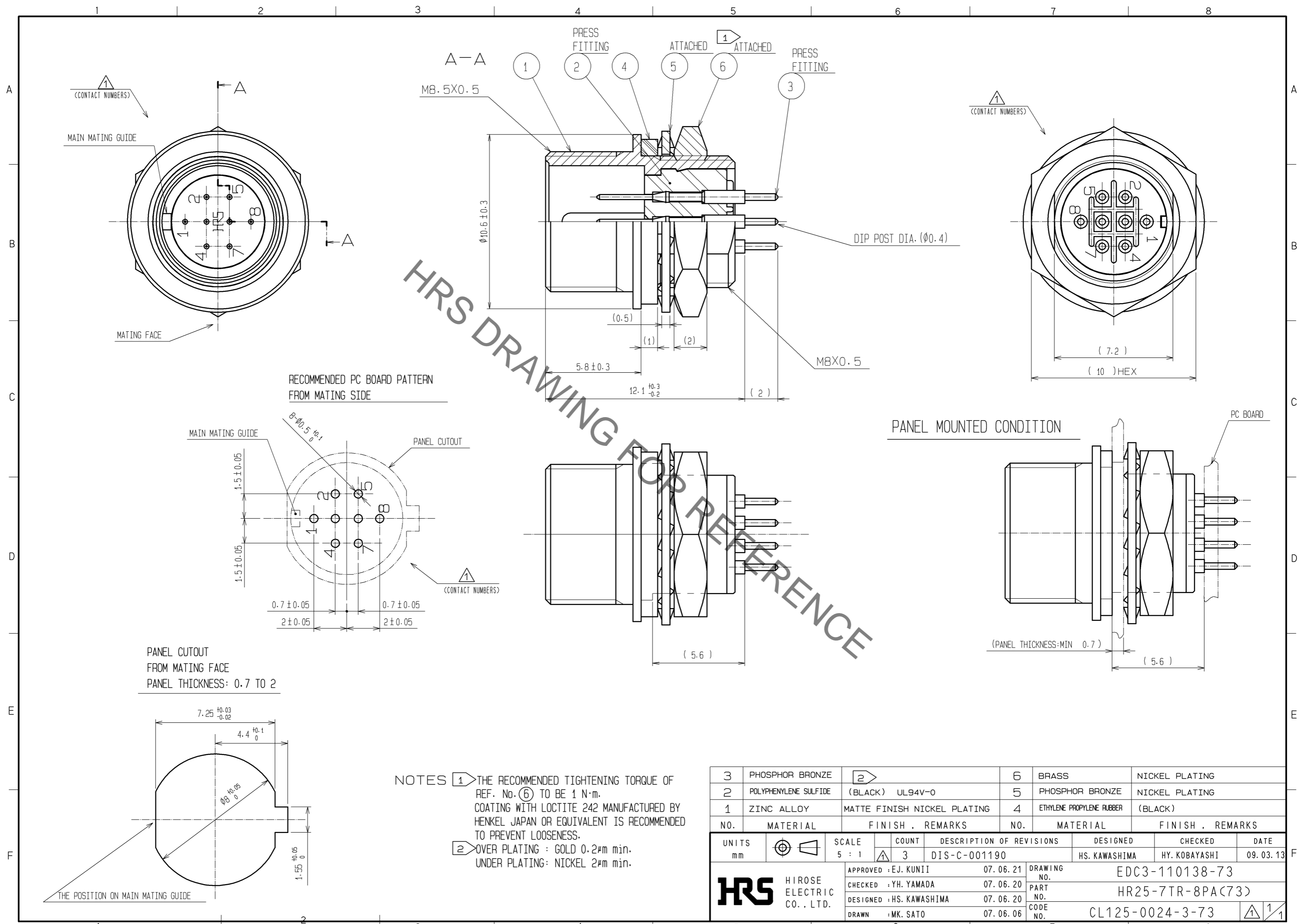


May.1.2019 Copyright 2019 HIROSE ELECTRIC CO., LTD. All Rights Reserved.  
In case of consideration for using Automotive equipment / device which demand high reliability, kindly contact our sales window correspondents.



NO.	MATERIAL	FINISH . REMARKS	NO.	MATERIAL	FINISH . REMARKS
3	PHOSPHOR BRONZE	②	6	BRASS	NICKEL PLATING
2	POLYPHENYLENE SULFIDE	(BLACK) UL94V-0	5	PHOSPHOR BRONZE	NICKEL PLATING
1	ZINC ALLOY	MATTE FINISH NICKEL PLATING	4	ETHYLENE PROPYLENE RUBBER	(BLACK)

UNITS	SCALE	COUNT	DESCRIPTION OF REVISIONS	DESIGNED	CHECKED	DATE
mm	5 : 1	3	DIS-C-001190	HS. KAWASHIMA	HY. KOBAYASHI	09.03.13

APPROVED : EJ. KUNII	07.06.21	DRAWING NO.	EDC3-110138-73
CHECKED : YH. YAMADA	07.06.20	PART NO.	HR25-7TR-8PA(73)
DESIGNED : HS. KAWASHIMA	07.06.20	CODE NO.	CL125-0024-3-73
DRAWN : MK. SATO	07.06.06		