

I-prober 520

Positional Current Probe

INSTRUCTION MANUAL

Table of Contents

Introduction	2
Specification	3
EMC	5
Safety	6
Installation	8
Connections	8
Operation	9
Maintenance	14
Instructions en Francais	
Introduction	15
Sécurité	16
Installation	18
Connexions	18
Fonctionnement	19
Maintenance	24
Bedienungsanleitung auf Deutsch	
Einführung	25
Sicherheit	26
Installation	28
Anschlüsse	28
Betrieb	29
Wartung	34
Istruzioni in Italiano	
Introduzione	35
Sicurezza	36
Installazione	38
Collegamenti	38
Funzionamento	39
Manutenzione	44
Instrucciones en Espanol	
Introducción	45
Seguridad	46
Instalación	48
Conexiones	48
Funcionamiento	49
Mantenimiento	55

Introduction

The Aim I-prober 520 is a unique device which is capable of observing and measuring current in PCB tracks and other locations where conventional current probes cannot be used. It is a 'positional' current probe which derives its measurement from the magnetic field at a defined position relative to the current carrying conductor. This enables current observation and measurement from simply placing the insulated tip of the probe onto a PCB track, component leg or ground plane.

A clip-on toroid attachment is also provided which converts the probe into a more conventional 'closed magnetic loop' current probe when required.

This current probe employs a sensing method generally known as a fluxgate magnetometer, and measures the magnetic field surrounding the electric current. The magnetometer consists of a small coil of wire surrounding a core made of an advanced material with special magnetic properties. An excitation current (at approximately 40MHz) is passed through the coil, which magnetises the core alternately in opposite directions. If there is no external magnetic field, this magnetisation is symmetrical. When an external field is applied, the resulting asymmetry is detected by a feedback loop which applies an opposing current through the coil to restore the net field to zero. The output voltage is proportional to this opposing current, and therefore to the magnitude of the field.

The unique feature of this probe is the very small size of the magnetometer element, which allows fields to be measured at an accurately localised position in space, and also allows the signal bandwidth to extend from DC up to 5MHz. Two lower bandwidth settings are also provided, which give lower noise.

Unlike transformer based probes, which are either AC coupled only or require a separate mechanism (such as a Hall effect device) to provide a response down to DC, this probe uses the same measurement mechanism for all frequencies across its bandwidth.

It is intended for use with an oscilloscope with a standard 1M Ω input impedance.

Specification

General specifications apply for the temperature range 5°C to 40°C with the probe connected to a measuring instrument (oscilloscope or DMM) having an input impedance of $1M\Omega \parallel <30pF$. Accuracy specifications exclude errors of that measuring instrument and apply for the temperature range 18°C to 28°C after 30 minutes warm-up and calibration at 23°C. Specifications quoted without limits are typical characteristics determined by design and are not guaranteed.

Dynamic Characteristics

Bandwidth (small signal):	DC to 5MHz.
Pulse Rise-time (10% - 90%):	<70ns.
Propagation delay:	60ns typical.
Pulse aberrations:	< $\pm 5\%$ (<1% at lower bandwidth settings).
Slew Rate (equivalent):	15A/ μ s
Noise (equivalent in toroid):	6mA _{rms} ; 1.5mA _{rms} at minimum bandwidth setting.
Filter settings:	Full bandwidth, 500kHz or 2Hz.

Magnetic Field Measurement

Scaling factor:	250 μ T (or 200A/m) per output Volt
Accuracy and linearity:	$\pm 3\%$
Maximum field:	± 2.5 mT (2000A/m)

Current measurement in wire (with toroid attachment)

Current range:	± 10 mA to ± 10 A (DC + peak).
Accuracy and linearity:	$\pm 5\%$
Scaling factor:	1 Amp per output Volt.
Maximum wire diameter:	3.5mm (unbroken) or 6mm (end fed).

Current measurement in PCB track

Scaling factor (with control adjusted to suit track width):	1 Amp per Volt for track widths 0.2mm to 3.5mm (0.007" to 0.14") or 2 Amp per Volt for track widths 3mm to 6.5mm (0.125" to 0.25")
---	--

General characteristics

Maximum output voltage:	± 10 V, corresponding to ± 2.5 mT (field measurement) or ± 10 A (wire)
Maximum bare-wire voltage:	300V _{rms} CAT II (circuits connected directly to the low voltage mains) or 600V _{rms} CAT I (circuits not connected directly to the low voltage mains). Maximum Permitted Transient Overvoltage: 2500V.
Maximum track temperature:	The maximum temperature of a surface on which the probe measurement tip can be placed for short periods (2 mins max) is 150°C
Probe dimensions:	155mm x 38mm x 28mm max; 2.8mm x 1.8mm at tip
Cable length:	2m from probe tip to output BNC
Safety:	Complies with EN61010-1 & EN61010-031
EMC:	Complies with EN61326

EC Declaration of Conformity

We Thurlby Thandar Instruments Ltd
Glebe Road
Huntingdon
Cambridgeshire PE29 7DR
England

declare that the:

I-prober 520 Current Probe

meets the intent of the EMC Directive 2004/108/EC and the Low Voltage Directive 2006/95/EC. Compliance was demonstrated by conformance to the following specifications which have been listed in the Official Journal of the European Communities.

EMC – I-prober 520 Current Probe + AC Power Adaptor

Emissions: a) EN61326-1 (2006) Radiated, Class A
 b) EN61326-1 (2006) Conducted, Class B
 c) EN61326-1 (2006) Harmonics, referring to EN61000-3-2 (2006)

Immunity: EN61326-1 (2006) Immunity Table 1, referring to:
 a) EN61000-4-2 (1995) Electrostatic Discharge
 b) EN61000-4-3 (2006) Electromagnetic Field
 c) EN61000-4-11 (2004) Voltage Interrupt
 d) EN61000-4-4 (2004) Fast Transient
 e) EN61000-4-5 (2006) Surge
 f) EN61000-4-6 (2007) Conducted RF

Performance levels achieved are detailed in the user manual.

Safety – I-prober 520 Current Probe

EN61010-1, EN61010-031 & EN61010-2-032, Pollution Degree 2.

Safety – AC Power Adaptor

EN60950-1



CHRIS WILDING
TECHNICAL DIRECTOR

1 March 2011

This Current Probe has been designed to meet the requirements of the EMC Directive 2004/108/EC when operated with the supplied AC Power Adaptor.

Compliance was demonstrated by meeting the test limits of the following standards:

Emissions

EN61326-1 (2006) EMC product standard for Electrical Equipment for Measurement, Control and Laboratory Use. Test limits used were:

- a) Radiated: Class A
- b) Conducted: Class B
- c) Harmonics: EN61000-3-2 (2006) Class A; the instrument is Class A by product category.

Immunity

EN61326 (2006) EMC product standard for Electrical Equipment for Measurement, Control and Laboratory Use.

Test methods, limits and performance achieved are shown below (requirement shown in brackets):

- a) EN61000-4-2 (1995) Electrostatic Discharge: 4kV air, 4kV contact, Performance A (B).
- b) EN61000-4-3 (2006) Electromagnetic Field:
3V/m, 80% AM at 1kHz, 80MHz – 1GHz: Performance B* (A) and 1.4GHz to 2GHz: Performance A (A); 1V/m, 2.0GHz to 2.7GHz: Performance A (A).
**Note:* The current probe is a sensitive measuring instrument that, by design, measures magnetic fields. The sensor will respond to a sufficiently large RF field and a measurement being made might be disturbed, particularly if the current level being measured is small. In all other respects the instrument will operate correctly (Performance A) in fields up to 3V/m.
- c) EN61000-4-11 (2004) Voltage Interrupt:
½-cycle, 0%: Performance A (B); 1 cycle, 0%: Performance A(B);
25 cycles, 70%: Performance A(C); 250 cycles, 0%: Performance B(C).
- d) EN61000-4-4 (2004) Fast Transient:
1kV peak (AC line only; signal connections <3m, therefore not tested[†]), Performance B (B).
- e) EN61000-4-5 (2006) Surge: 0-5kV (line to line), 1kV (line to ground), Performance A (B).
- f) EN61000-4-6 (2007) Conducted RF:
3V, 80% AM at 1kHz (AC line only; signal connections <3m, therefore not tested[†]), Performance A (A).

[†] Signal connections were not tested on the basis that they are <3m, for which there is no test requirement.

Performance Definitions

The definitions of performance criteria are:

Performance criterion A: 'During test normal performance within the specification limits.'

Performance criterion B: 'During test, temporary degradation, or loss of function or performance which is self-recovering'.

Performance criterion C: 'During test, temporary degradation, or loss of function or performance which requires operator intervention or system reset occurs.'

Current Probe

This instrument is Safety Class III according to IEC classification and has been designed to meet the general requirements of EN61010-1 (Safety Requirements for Electrical Equipment for Measurement, Control and Laboratory Use) and sub-part EN61010-031 as applied to this particular form of current probe.

This instrument has been tested in accordance with EN61010-1 and EN61010-031 and has been supplied in a safe condition. This instruction manual contains essential information and warnings which have to be followed by the user to ensure safe operation and to retain the instrument in a safe condition.

This instrument has been designed for indoor use in a Pollution Degree 2 environment in the temperature range 5°C to 40°C, 20% - 80% RH (non-condensing). It may occasionally be subjected to temperatures between +5° and -10°C without degradation of its safety. Do not operate while condensation is present.

WARNINGS and CAUTIONS

- Use of this instrument in a manner not specified by these instructions may impair the safety protection provided.
- This probe may only be used by qualified personnel who are aware of the risks associated with probing on or near bare conductors at hazardous voltages, i.e. voltages above 70Vdc or ac voltages exceeding 33Vrms or 46.7Vpeak. The maximum voltage of bare conductors on which it can be used is 300Vrms CAT II or 600Vrms CAT I.
- The maximum temperature of a surface on which the probe measurement tip can be placed for short periods (2mins max) is 150°C. Do not expose any other part of the probe to high temperatures.
- Connect the AC Power Adaptor to the Base-box and the signal output BNC cable to the oscilloscope before the probe is put in contact with the signal to be measured. Only use the AC Power Adaptor supplied and always use an oscilloscope which has its chassis connected to earth ground.
- Inspect the probe tip, casing and cabling for wear and damage before every use. Safety depends entirely on the integrity of the insulation of that section of the probe shaft forward of the raised safety marker, and of the probe tip in particular.

DO NOT USE THE PROBE IF ANY PART APPEARS TO BE DAMAGED

See Maintenance section for details of where to return damaged probe assemblies. Do not dismantle the probe or its base-box – there are no user-serviceable parts.

- Do not hold the probe beyond the finger guard between the body and the probe shaft when making a measurement on a conductor which is at a hazardous voltage, and do not allow any hazardous voltage to approach any closer to the finger guard than the safety marker on the probe shaft. See the diagram opposite.
- Before attaching or detaching the toroid assembly from a bare cable at a hazardous voltage make sure that the conductor is not energized.
- Do not use the probe when wet or if condensation is present. Do not wet the instrument when cleaning it.

AC Power Adaptor

The adaptor/charger supplied has a universal input voltage rating of 100-240VAC, 50/60Hz. It is a Class II (double insulated) device, fully approved to EN 60950-1 (2001) and UL 60950 (UL listing E245390).

Symbols

The following symbols are used on the current probe and in this manual.



WARNING – Risk of electric shock.



CAUTION – refer to accompanying documentation (this manual).
Damage to the instrument may occur if these precautions are ignored.



Do not apply around or remove from hazardous live conductors.



Application to hazardous live conductors acceptable.



Protected throughout by double insulation or reinforced insulation.



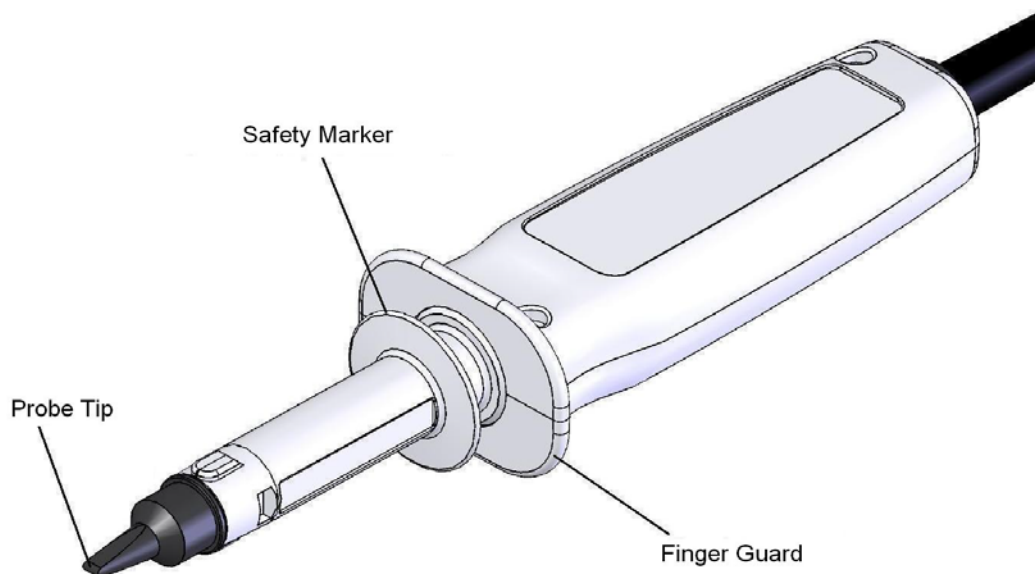
alternating current (ac).



direct current (dc).

CAT II Indicates Measurement Category II; the maximum voltage rating to earth for CAT II measurements is generally shown with the symbol. Measurement Category II applies to measurements performed on circuits directly connected to the low-voltage mains supply, e.g. portable equipment and appliances. CAT II does **not** include measurements on distribution level circuits, e.g. distribution boards, circuit-breakers, bus-bars, etc., or industrial installations, all of which are classified as CAT III.

CAT I Indicates Measurement Category I; the maximum voltage rating to earth for CAT I measurements is generally shown with the symbol. Measurement Category I applies to measurements performed on circuits not directly connected to the low-voltage mains supply. This category includes secondary circuits separated from the mains circuits by a transformer and circuits derived from the mains supply in which measures have been taken to limit transient over voltages to an appropriately lower level. The maximum permitted transient overvoltage for the 600V CAT I rating of this probe is 2500V.



Installation

Mains Operating Voltage

This instrument is supplied with an AC power adaptor which has a universal input range and which will operate from a nominal 115V or 230V mains supply at 50Hz or 60Hz without adjustment. Check that the local supply meets this AC Input requirement.

Fit the required national power connector to the adaptor by sliding it down the grooves until it locks.

The unit may only be used with the power adaptor supplied.

Disconnect the power adaptor from the supply when the unit is not in use.

The AC adaptor is a Safety Class II (double-insulated) device providing 5.2VDC at up to 1Amp. The ground reference for the measurement system is the ground connection made to the scope. Always use a scope which has a grounded chassis so the outer of the BNC is connected to ground.

General Installation Considerations

When used without the toroid attachment (for current in a wire) the probe will be influenced noticeably by all external magnetic fields at the point of measurement – not only the earth's magnetic field (which may be modified by steel metalwork) but leakage fields from inductors or transformers, magnetised components, etc. The Operation section contains useful notes on how to achieve the best qualitative and quantitative measurements in the various operating modes in the presence of such stray fields.

Connections

Power connection

Fit the required national power connector to the supplied adaptor by sliding it down the grooves until it locks and connect the adaptor to the AC supply. Connect the output lead from the adaptor to the power input socket of the control box, marked DC IN.

The unit may only be used with the power adaptor supplied.

Output signal


Connect the BNC connector on the captive output lead from the control box (marked OUTPUT) to a 1M Ω scope input. This lead is sensitive to loading capacitance and should not be extended if accurate reproduction of the waveform shape is required. Always use a scope which has a grounded chassis so the outer of the BNC is connected to ground, and make this connection before probing high voltages.

The scope Y-axis sensitivity can be set to suit the magnitude of the field being investigated. AC coupling can be used to remove the effect of the earth's magnetic field, or other fixed fields from permanently magnetised material, provided they are not so large as to overload the probe.

Measurement Connection

The cable between the probe unit and the control box is captive at both ends and cannot be replaced by the user. Care should be taken to ensure it does not come into contact with hot objects.

The measurement of current is effectively 'non-contact'; no galvanic connection is made to the current-carrying conductor being probed. The probe tip and the probe shaft forward of the raised safety barrier are double-insulated and it is possible to probe safely onto conductors at high voltages with respect to earth ground, up to the limits stated in the Specification. However, it is imperative that the insulation of the probe tip has not been damaged by abrasion or by contact with hot surfaces above 150°C.

 **Read and understand the Safety section of this manual before use.**
Measurements on apparatus with dangerous voltages exposed should only be made by engineers with sufficient training and experience to recognise the hazards involved.
Always inspect the probe tip for wear before use on conductors at hazardous voltages.

Controls

The following controls are mounted on the control box.

Mode Switch

This three position slide switch adjusts the probe gain to obtain calibrated results in the three main operating circumstances:-

FIELD	Measurement of magnetic field.
PCB TRACK	Measurement of the current in a PCB track underneath the probe tip.
WIRE	Measurement of the current in a wire or cable, in conjunction with the toroid attachment.

Sensitivity

This control is active in the PCB TRACK position only, and is used to adjust the gain to suit the physical width of the track being measured.

Trace position

This control adjusts the DC offset in the output signal to compensate for fields such as the earth's magnetic fields. At high sensitivities this control has much more range than the Y position control of most scopes.

Bandwidth Switch

This three position switch allows the user to choose the best compromise between signal bandwidth and noise level. The three bandwidths are nominally 5MHz, 500kHz and 2Hz. The 2Hz position will almost totally remove any visible effect of mains frequency fields at 50 or 60 Hz, but note that it is possible for the probe to be invisibly overloaded by a large field at frequencies above the bandwidth limit.

Calibrator Switch

With the probe inserted into the calibration hole until it contacts the PCB it is subjected to the field from a known current. The three position switch allows the selection of an AC (1kHz square wave) or DC current, with the centre position being off. The procedure for using this to calibrate the sensitivity of the probe to suit a particular track width is detailed below.

The calibration current should be switched off when not in use.

Overload indicator

The overload indicator will light either if the signal exceeds the clipping level of the output amplifier, or if the magnetic field is so large that the system is saturated, which can cause the output signal to appear to be within the operating range. In particular, this indicator should be monitored if AC coupling is used on the scope, as it is still possible for DC fields to overload the probe.

Magnetic Field Measurements

The magnetic field is measured along the wider dimension of the probe tip. The scaling factor is 250 μ T (micro-Tesla) per Volt, so the normal scope setting sequence gives 250 μ T/div at 1V/div, 500 μ T/div at 2V/div, and 1.25mT/div at 5V/div. More sensitive decades scale as expected. 250 μ T is 2.5 Gauss.

Alternatively the scale factor can be regarded as 200 Amps-per-metre per Volt, so the corresponding scale factors are 200A/m/div, 400A/m/div and 1000A/m/div.

In either case the maximum output voltage is ± 10 V, corresponding to the maximum working field of ± 2.5 mT or ± 2000 A/m.

If the probe is held tip down (handle uppermost) with the + sign on the barrel facing the user, and oriented to give a positive output voltage, then the lines of flux are passing from a North pole on the left to a South pole on the right. In the earth's magnetic field this means that geographic North is on the right.

Application Notes for Magnetic Field Measurements

Because of the very small dimensions of the probe tip, the probe is capable of investigating the variation of magnetic fields over very localised areas. It can investigate the fields around inductors and the gaps in their cores, which can sometimes cause unexpected cross-talk into an electronic circuit. It can also show the fields radiating through any slots and holes in an equipment case, which are often the source of EMC compatibility problems. The probe has a bandwidth which covers most of the waveforms in switched mode power supplies.

The low noise of the system makes it capable of measuring fields much smaller than the earth's field, which at high scope sensitivity settings can take the trace a long way off screen. The TRACE POSITION adjustment on the control box has much more range than the typical Y-shift control of a scope. In many instances, AC coupling of the scope can be used, which will minimise the inconvenience if the low frequency distortion of the waveform is acceptable.

Measurements of current in a wire

A toroid attachment is provided to allow measurement of the current flowing in a wire or cable. This attachment contains a magnetic core which concentrates the field from around the cable onto the sensor of the current probe. It mechanically locks onto the nose of the probe to hold the correct relationship between the gap in the toroid and the sensor in the probe tip.

Attaching the Toroid to the Cable



Before attaching the toroid assembly to the cable to be measured, first ensure that there is no risk of electric shock to the operator by either making sure that the cable is adequately insulated for the voltage it is carrying, or by disconnecting it from its supply.

Pass the cable through the open end of the jaws of the toroid housing, then align the probe so that the large pips on the nose are aligned with the gaps in the housing and push them together in a straight line. The jaws of the attachment are forced apart as the nose of the probe passes through until they lock (with an audible click) into the locating slots. Confirm that the two parts are securely locked together by gently rotating and pushing the probe. For calibrated results arrange the cable to be at the back of the hole in the toroid, away from the sensing tip of the probe.

Select the Wire position on the MODE switch on the Control Box. This gives a calibrated sensitivity of 1 Volt per Amp. Set the scope Y-axis sensitivity as required and select a suitable BANDWIDTH setting.

Note: The 1 V/A calibration only applies to a matched set of probe and toroid. The toroid attachments are not interchangeable between probes. Check that the serial numbers of probe and toroid match to ensure that the pairing being used is calibrated.

Operating Notes for Using the Toroid Attachment

The magnetic circuit of the toroid reduces the sensitivity to external magnetic fields (including the earth's field) by a factor of about five, so the measurement is much less affected by positioning of the probe; nevertheless, for best measurement consistency, arrange for the probe to rest in a fixed position away from strong local fields.

Additional sensitivity can be obtained by winding multiple turns of the wire around the toroid. The resulting increase in insertion inductance will impair the frequency response slightly, and might affect some high frequency circuits, but otherwise the scaling factor is multiplied by the number of turns.

When measuring DC, the measurement can be affected by small hysteresis and remanence effects in the magnetic material of the toroid. For best accuracy, first apply the current in the required direction to pre-bias the magnetic circuit, then remove the current and adjust the TRACE POSITION control to set the zero point on the scope; then reapply the current to measure it. This zero point will not change much as the current varies providing it remains in the same direction. If, however, the polarity of the current is reversed, the zero should be reset. When measuring alternating current this effect is negligible, but note that when the current is switched off the zero point may exhibit some offset.

The polarity marks on the probe barrel are the reference for indicating the direction of the current: the output to the measurement instrument will be positive when the current flows from the side with the +

mark to the side with the – mark. There are also polarity marks on the toroid attachment, but these are only to assist in consistent attachment; reversing the toroid does not reverse the polarity.

Removing the Toroid



Before touching the toroid, ensure that there are no dangerous voltages present.

To remove the toroid, hold both the toroid attachment and the probe body and gently twist through about 30° while pulling the two apart. The twisting action uses the lugs on the nose of the probe to lever the arms of the toroid housing apart, which makes removal much easier than a straight pull.

Measurement of Current in a PCB Track

Before touching the probe onto tracks carrying high voltages, always check the condition of the tip insulation. The probe tip is double-insulated; underneath the black, high melting-point, ‘wear-tip’ moulding is a second light coloured moulding containing the sensor itself. If the light coloured inner moulding can be seen then the probe is no longer safe for high voltage use. Careful inspection is needed, as dirt or ragged wear might make the colour difference hard to detect. To maximise the lifetime of the tip, avoid rubbing it across rough surfaces.



Measurements on apparatus with dangerous voltages exposed should only be made by engineers with sufficient training and experience to recognise the hazards involved. Always take care to keep the hands away from high voltages.

The probe measures the current in a PCB track by measuring the magnetic field around the track caused by the current. The probe must be held centred over the track, with the long dimension of the probe tip across the track and the probe body held as close to perpendicular to the track as possible. When the output is positive on the measurement instrument then the current is flowing in the direction + to – indicated by the + and – marks on the probe barrel. Because this is not a magnetically closed circuit the probe will also be influenced by all external magnetic fields at the point of measurement. There are many causes of such fields – the earth's magnetic field (which may be modified by steel metalwork), leakage fields from inductors or transformers, magnetised components (such as screws) and even magnetic materials in the electrodes or terminations of electronic components. As a result, it is quite difficult to make accurate quantitative measurements, but there are many applications where a qualitative measurement gives all the information required.

Qualitative Measurements

Major areas of application for this probe are in switched mode power supplies, power amplifiers or other circuits where high currents flow. The probe is optimised for waveform fidelity, and the fact that its response extends down to DC allows exact wave shapes to be viewed. Its very localised nature allows detailed investigation of the exact paths these currents take.

It can, for example, be used to investigate the effectiveness of reservoir or decoupling capacitors – a pulsed current should flow between the switching device or rectifier and the capacitor, and only a DC component should flow from the other side of the junction. Residual switching signals, caused by improper layout or inadequate components, can be easily seen.

The probe can be particularly useful in investigating the current flow in power and ground planes. It is often found that if a ground plane is split and then re-joins, perhaps around a group of components, then an unexpected circulating current can be induced around the resulting loop. It can also be used to show radiation and cross coupling between circuits, and to check for proper cancellation in circuits which are supposed to be balanced.

Another application is in finding short circuits on a PCB, where the current can be followed from its source to the point where it is diverted through the fault. Comparing the signal with the current switched on and off can distinguish between the fault current and external magnetic fields.

Currents can be measured not only in PCB tracks but also in component leads, including the terminals of integrated circuits. Take care to avoid very hot components, such as wire wound resistors, which can exceed the temperature rating of the probe tip.

Calibration for Quantitative Measurements on PCB tracks

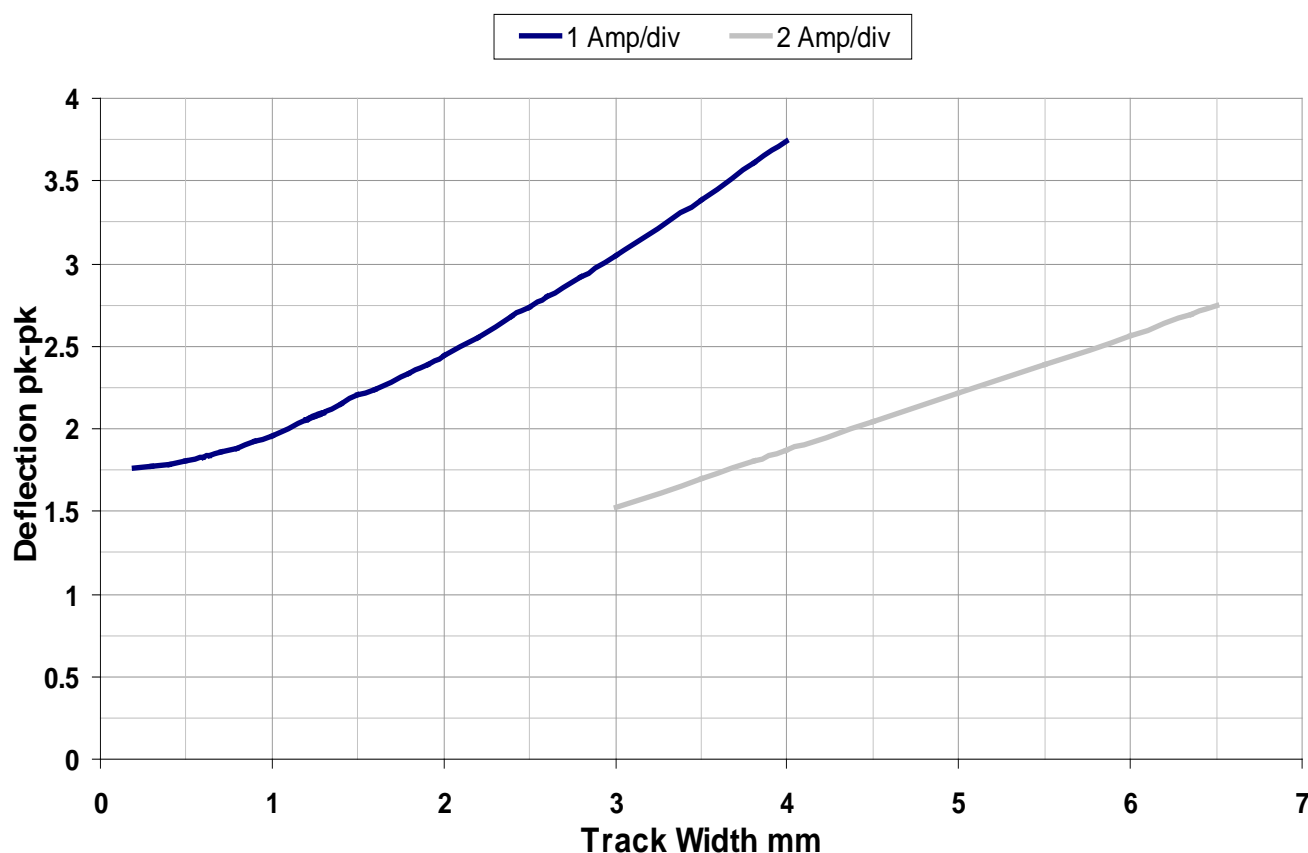
The relationship between the output voltage seen on the scope and the actual current in the PCB track depends on a complex relationship between the width of the track, the width of the sensor inside the current probe, and the thickness of the probe insulation between the track and that sensor. To obtain quantitative measurements the sensitivity adjustment on the control box must be set to suit the particular track width being measured. The wider the track, the lower the field strength for a given current, so the greater the gain required to obtain a sensitivity of 1A/V. At track widths above about 3.5mm the system must be adjusted for a sensitivity of 2A/V.

This relationship between track width and the gain required is incorporated into the calibration graph below. The calibration procedure involves placing the probe into the calibration hole in the control box and applying the calibration current. The sensitivity control is then adjusted to obtain the particular output voltage (as measured by the deflection of the scope trace) to suit the intended track width. The calibrator can produce either a square wave or DC calibration current. To avoid difficulties caused by the influence of the earth's magnetic field and the local magnetic environment, calibration is normally performed using the square wave signal obtained by setting the switch to the inwards (↓) position. The signal is a square wave at about 1kHz. The amplitude setting refers to the peak-to-peak amplitude between the flat parts of the square wave, ignoring any overshoot on the transitions.

Detailed Procedure

First, decide on the width of the track for which a calibrated measurement is required. Then, using the graph, look up the calibration deflection setting for that track width and set the scope to a suitable sensitivity (1 Volt per division for narrow tracks, or 0.5 Volt per division for wider tracks).

I-prober 520 PCB gain setting



Insert the probe into the calibration recess and turn on the calibration signal by setting the CALIBRATOR switch to the AC position (marked ↓, towards the centre of the control box). Optimise the orientation of the probe within the calibrator recess to obtain the maximum signal amplitude on the scope, then adjust the Trace Position control to centre the trace on the screen.

Adjust the PCB Sensitivity control so that the peak-to-peak deflection (ignoring overshoot) equals the value obtained above from the calibration graph to match the required track width.

Switch off the calibration signal by returning the CALIBRATOR switch to its centre position.

For tracks wider than 6.5mm, it can be assumed that the reading is inversely proportional to the track width plus 2.2mm. Alternatively, switch to Magnetic Field mode and measure the field in Amps per metre. This can be converted to Amps, by assuming that the path length is twice the width of the track plus 4.4mm (this figure accounts for the fact that the sensor is 0.7mm above the track surface). This relationship assumes that the track is long in relation to its width and reasonably uniform in layout.

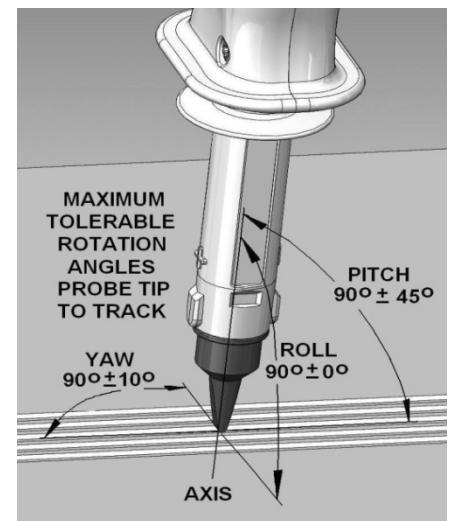
Practical Aspects of Quantitative Measurements

To accurately measure the current in a track the probe must be precisely positioned vertically in two dimensions, placed exactly above the centre of the track and aligned with the long dimension of the tip at right angles to the track.

The diagram shows the proper orientation. If the probe is not aligned at right angles across the track (yaw), the output varies according to a sine law, so small errors are tolerable; similarly, rotating the probe forwards or backwards around its rounded tip (pitch) does not cause major errors. The most critical position requirements are the centring over the track, and being vertical side to side (roll), so that the probe is flat on the track, not canted up on the corner of its tip.



Avoid the temptation to manipulate the probe tip with the fingers, unless it is certain that there are no dangerous voltages present.



In the absence of uneven extraneous fields the correct position is the one giving the greatest output but it will be found that, in an environment containing many magnetic materials, the localised magnetic field can vary substantially in both magnitude and direction from the earth's North-South field that exists in free space. As a result, even small movements in the position of the probe can have a significant effect on the residual output voltage. The best way to minimise the effect of this is to place the probe in the required location on the track to be measured, switch the current off and set the zero position, then switch the current on and note its magnitude. Many of these difficulties can be avoided if an AC measurement is possible.

When measuring small currents (small in relation to the effect of the magnetic field of the local environment) it is helpful if the probe can be held fixed in space (by using a retort stand or similar device) and moving the signal being tested under the fixed probe.

Note that the calibration procedure given above only give accurate results when the measurement is on an isolated track some distance from any other current. Adjacent tracks carrying currents, including those on the other side of the PCB, will have a significant effect on the measurement. Obtaining a quantitative result in such circumstances requires mathematical analysis from first principles.

Maintenance

The Manufacturers or their agents overseas will provide a repair service for any unit developing a fault. Where owners wish to undertake their own maintenance work, this should only be done by skilled personnel in conjunction with the service manual which may be purchased directly from the Manufacturers or their agents overseas.

Cleaning

If the instrument requires cleaning use a cloth that is only lightly dampened with water or a mild detergent.

WARNING! TO AVOID ELECTRIC SHOCK, OR DAMAGE TO THE INSTRUMENT, NEVER ALLOW WATER TO GET INSIDE THE CASE. TO AVOID DAMAGE TO THE CASE NEVER CLEAN WITH SOLVENTS.

Tip Insulation

If the insulation of the probe tip becomes worn or damaged so that the inner layer of insulation shows through, contact the Manufacturers or their agents overseas.

Calibration

The fundamental calibration parameter is magnetic field; calibration requires a calibrated field from a precision Helmholtz coil. The manufacturer can provide a suitable re-calibration service in the event that the local calibration service is unable to do so.

However, if only a current-in-wire re-calibration (with the toroid attachment) is required, this can be achieved using a more widely available standard DMM calibrator. Calibration is performed using a 50 or 60Hz sine wave. Take care to establish a repeatable position of the cable within the opening in the toroid; this is normally opposite the probe tip and as far back as possible.

Web link

For support please visit www.aimtti.com.

Introduction

Le Aim I-prober 520 est un appareil unique capable d'observer et de mesurer le courant dans les pistes de circuit imprimé et autres emplacements où les sondes de courant conventionnelles ne peuvent pas être utilisées. Il s'agit d'une sonde de courant "d'alignement" qui tire ses mesures du champ magnétique à un emplacement bien défini par rapport au conducteur porteur de courant. Ceci permet l'observation et la mesure du courant en plaçant simplement la pointe isolée de la sonde sur la piste d'un circuit imprimé, la colonne d'un composant ou un plan de masse.

Un joint torique à agrafe est également fourni, qui convertit la sonde en sonde de courant "magnétique fermé" plus conventionnelle quand cela est nécessaire.

Cette sonde de courant emploie une méthode de détection généralement connue sous le nom de magnétomètre à vanne de flux. Elle mesure le champ magnétique entourant le courant électrique. Le magnétomètre se compose d'une petite couronne de fil entourant un noyau en matériau de pointe doté de propriétés magnétiques spéciales. Un courant d'excitation (de 40 MHz environ) est passé à travers la bobine, qui magnétise le noyau par alternance dans des directions opposées. S'il n'y a aucun champ magnétique externe, cette magnétisation est symétrique. Quand un champ externe est appliqué, l'asymétrie obtenue est détectée par une boucle de réaction qui applique un courant opposé à travers la bobine afin de restaurer le champ net sur zéro. La tension de sortie est proportionnelle à ce courant opposé et donc à la magnitude de ce champ.

La caractéristique unique de cette sonde est la taille minuscule du magnétomètre, qui permet de mesurer des champs dans une position localisée avec précision dans l'espace, et qui permet également à la largeur de spectre du signal de s'étendre du CC jusqu'à 5 MHz. Deux paramètres de la largeur de spectre inférieure sont également fournis, qui offrent un niveau sonore moindre.

Contrairement aux sondes à transformateur, qui sont couplées en CA uniquement ou qui nécessitent un mécanisme séparé (comme un appareil à effet Hall) afin d'envoyer une réponse au CC, cette sonde utilise le même mécanisme de mesure pour toutes les fréquences sur sa largeur de spectre.

Elle est destinée à un usage combiné avec un oscilloscope doté d'une impédance d'entrée standard de $1\text{ M}\Omega$.

Sonde de courant

Cet appareil est de Classe de sécurité 3 suivant la classification CEI et il a été conçu pour satisfaire aux prescriptions générales de la norme EN 61010-1 (Règles de sécurité pour appareils électriques de mesure, de régulation et de laboratoire) et des sous-partie EN 61010-031, telles qu'elles sont appliquées à cette forme particulière de sonde de courant.

Cet appareil a été soumis à des essais conformément aux normes EN 61010-1 et EN 61010-031, et il a été fourni en parfait état de sécurité. Le présent manuel d'instructions contient des informations essentielles et des avertissements que l'utilisateur doit suivre afin d'assurer une utilisation sans danger et de conserver l'appareil dans un parfait état de sécurité.

Cet appareil a été conçu pour être utilisé en intérieur, dans un environnement de pollution de degré 2, dans une plage de températures de 5 °C à 40 °C, entre 20 % et 80 % d'humidité relative (sans condensation). Il pourra être ponctuellement soumis à des températures comprises entre +5 et -10 °C, sans dégradation de sa sécurité. Ne pas l'utiliser dans une situation de condensation.

AVERTISSEMENTS et PRÉCAUTIONS

- Utiliser cet appareil d'une manière non spécifiée par les présentes instructions risque d'affecter la protection de sécurité fournie.
- Cette sonde ne doit être utilisée que par un personnel qualifié qui a connaissance des risques associés à des mesures nues sur ou près de conducteurs sous tension dangereuse, à savoir des tensions supérieures à 70 V CC ou des tensions CA dépassant 33 Vrms ou 46,7 V en crête. La tension maximale de conducteurs nus sur lesquels elle peut être utilisée est de 300 Vrms CAT III ou 600 Vrms CAT I.
- La température maximale de toute surface sur laquelle la pointe de mesure de la sonde peut être placée pour de courtes périodes (2 minutes maximum) est de 150 °C. Ne pas exposer toute autre partie de la sonde à des températures élevées.
- Connecter l'adaptateur d'alimentation CA à la caisse de base et le câble BNC de sortie du signal à l'oscilloscope avant de mettre la sonde en contact avec le signal à mesurer. Utiliser seulement l'adaptateur d'alimentation CA fourni et toujours utiliser un oscilloscope ayant son châssis branché sur la prise de terre.
- Inspecter la pointe de la sonde, le boîtier et le câblage pour détecter tout signe d'usure ou d'endommagement avant chaque utilisation. La sécurité dépend entièrement de l'intégrité de l'isolation de cette section de l'arbre de sonde à l'avant du marqueur de sécurité surélevé et de la pointe de la sonde en particulier.

NE PAS UTILISER LA SONDE SI UNE DES PARTIES SEMBLE ENDOMMAGÉE

Voir la section Maintenance pour plus de détails sur l'adresse où renvoyer des sondes endommagées.

Ne pas démonter la sonde ni sa caisse de base : elles ne contiennent aucune pièce dont l'entretien peut être assuré par l'utilisateur.

- Ne pas tenir la sonde de l'autre côté du protège-doigt entre le corps et l'arbre de sonde lors d'une prise de mesure sur un conducteur sous tension dangereuse. De plus, ne pas laisser la moindre tension dangereuse s'approcher davantage du protège-doigt que le marqueur de sécurité indiqué sur l'arbre de sonde. Voir le schéma ci-contre.
- Avant d'attacher le joint torique à un câble nu sous tension dangereuse ou de l'en détacher, s'assurer que le conducteur n'est pas alimenté.
- Ne pas utiliser la sonde quand elle est humide ou dans une situation de condensation. Ne pas mouiller l'appareil lors de son nettoyage.

Adaptateur d'alimentation CA

L'adaptateur/chargeur fourni est doté d'une cote universelle de tension d'entrée de 100-240 V CA, 50/60 Hz. Il s'agit d'un appareil de classe 2 (à double isolation), entièrement approuvé selon les normes EN 60950-1 (2001) et UL 60950 (listing UL E245390).

Symboles

Les symboles suivants figurent sur la sonde de courant ainsi que dans le présent manuel.



AVERTISSEMENT – Risque d'électrocution



ATTENTION – se reporter à la documentation jointe (le présent manuel).
L'appareil peut être endommagé si ces précautions ne sont pas prises en compte.



Ne pas appliquer sur ou retirer des conducteurs sous tension dangereux.



Application sur des conducteurs sous tension dangereux acceptable.



Protégé dans son intégralité par isolation double ou isolation renforcée.



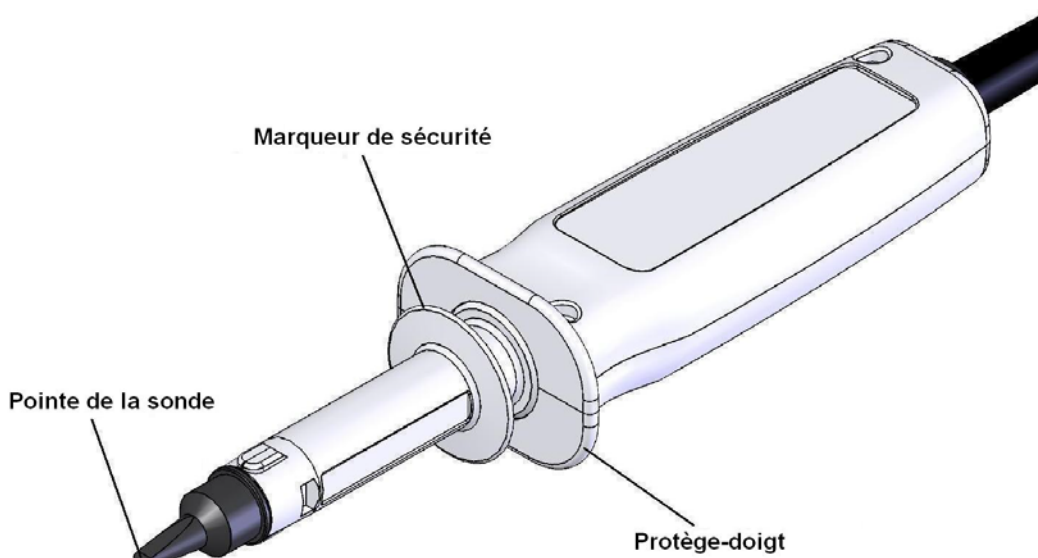
Courant alternatif (CA)



Courant continu (CC)

CAT II Indique les mesures de catégorie II ; la cote de tension maximum à la terre pour les mesures de CAT II est habituellement indiquée avec le symbole. Les mesures de catégorie II s'appliquent aux mesures effectuées sur des circuits directement branchés sur une alimentation secteur basse tension, par exemple des équipements et des appareils portables. La CAT II n'inclut **pas** de mesures sur des circuits du niveau de distribution, par ex. des tableaux de distribution, des disjoncteurs, des barres omnibus, etc., ou des installations industrielles, tous étant classés CAT III.

CAT I Indique les mesures de catégorie I ; la cote de tension maximum à la terre pour les mesures de CAT I est habituellement indiquée avec le symbole. Les mesures de catégorie I s'appliquent aux mesures effectuées sur des circuits qui ne sont pas directement branchés sur une alimentation secteur basse tension. Cette catégorie inclut des circuits secondaires séparés des circuits d'alimentation secteur par un transformateur et des circuits provenant de l'alimentation secteur pour lesquels des mesures ont été prises afin de limiter les surtensions transitoires à un niveau plus faible approprié. La surtension transitoire maximum autorisée pour la cote de 600 V CAT I de cette sonde est de 2500 V.



Installation

Tension d'alimentation sur secteur

Cet appareil est fourni avec un adaptateur d'alimentation CA qui possède un calibre de signal d'entrée universel et qui fonctionne à partir d'une tension nominale d'alimentation secteur de 115 V ou 230 V à 50 Hz ou 60 Hz sans réglage. Vérifier que l'alimentation locale répond aux exigences d'entrée CA.

Monter le connecteur d'alimentation nationale nécessaire sur l'adaptateur en le faisant coulisser dans les rainures jusqu'à ce qu'il soit bloqué.

L'appareil ne peut être utilisé qu'avec l'adaptateur d'alimentation fourni.

Débrancher l'adaptateur d'alimentation de l'alimentation secteur quand l'appareil n'est pas utilisé.

L'adaptateur CA est un appareil de classe de sécurité 2 (à double isolation) fournissant 5,2 V CC à 1 Amp maximum. La référence de masse pour le système de mesures est la connexion de masse effectuée sur l'oscilloscope. Toujours utiliser un oscilloscope ayant un châssis relié à la terre, de façon à ce que la partie externe du BNC soit connectée à la masse.

Considérations générales d'installation

Lorsqu'elle est utilisée sans joint torique (pour du courant dans un fil), la sonde sera considérablement influencée par tous les champs magnétiques externes au moment de la mesure : non seulement le champ magnétique de la terre (qui peut être modifié par la transformation des métaux d'acier), mais aussi les champs de fuite provenant des inducteurs ou des transformateurs, des composants magnétisés, etc. La section Fonctionnement contient des remarques utiles sur la façon de réaliser les meilleures mesures qualitatives et quantitatives dans les divers modes de fonctionnement en présence de ces champs de dispersion.

Connexions

Alimentation électrique

Monter le connecteur d'alimentation nationale requis sur l'adaptateur fourni en le faisant coulisser dans les rainures jusqu'à ce qu'il soit bloqué et brancher l'adaptateur sur l'alimentation CA. Connecter le câble de sortie depuis l'adaptateur vers la prise d'arrivée d'alimentation du boîtier de commande, marquée DC IN (Entrée CC).

L'appareil ne peut être utilisé qu'avec l'adaptateur d'alimentation fourni.

Signal de sortie

Brancher le connecteur BNC sur le câble captif de sortie depuis le boîtier de commande (marqué OUTPUT [Sortie]) vers l'entrée de l'oscilloscope de 1 M Ω . Ce câble est sensible à la capacité de chargement et ne doit pas être rallongé si une reproduction précise de la forme d'onde est requise.

Toujours utiliser un oscilloscope ayant un châssis relié à la terre, de façon à ce que la partie externe du BNC soit branchée sur la masse, et effectuer ce branchement avant de mesurer des hautes tensions.

La sensibilité de l'axe des ordonnées (Y) de l'oscilloscope peut être réglée pour l'adapter à la magnitude du champ étudié. Un couplage CA peut être utilisé pour retirer l'effet du champ magnétique de la terre ou d'autres champs fixes du matériau magnétisé en permanence, à condition qu'ils ne soient pas trop gros et ne surchargent pas la sonde.

Connexion de mesures

Le câble entre l'unité de la sonde et le boîtier de commande est captif aux deux extrémités et n'est pas remplaçable par l'utilisateur. Prendre soin de s'assurer qu'il n'entre pas en contact avec des objets chauds.

La mesure du courant est de ce fait un état "sans contact" ; aucun branchement galvanique n'est réalisé sur le conducteur porteur de courant qui est mesuré. La pointe de la sonde et l'arbre de sonde à l'avant de la barrière de sécurité surélevée bénéficient d'une double isolation, et il est possible de prendre des mesures sans risque sur les conducteurs sous hautes tensions quant à la prise de terre, jusqu'aux limites indiquées dans les Spécifications techniques. Toutefois, il est impératif que l'isolation de la pointe de la sonde ne soit pas endommagée par abrasion ou par contact avec des surfaces chaudes supérieures à 150°C.



Lire et comprendre la section Sécurité de ce manuel avant tout usage.

Les mesures effectuées sur des appareils avec des tensions dangereuses exposées ne doivent être réalisées que par des ingénieurs ayant reçu une formation et une expérience suffisantes afin de reconnaître les dangers impliqués.

Toujours inspecter la pointe de la sonde pour tout signe d'usure avant son utilisation sur des conducteurs sous tensions dangereuses.

Fonctionnement

Commandes

Les commandes suivantes sont montées sur le boîtier de commande.

Commutateur de mode

Ce commutateur à glissement à trois positions règle le gain de la sonde afin d'obtenir des résultats étalonnés dans les trois circonstances principales de fonctionnement :

FIELD (champ)	Mesure du champ magnétique.
PCB TRACK (piste du circuit imprimé)	Mesure du courant dans une piste du circuit imprimé sous la pointe de la sonde.
WIRE (fil)	Mesure du courant dans un fil ou un câble, conjointement au joint torique.

Sensibilité

Cette commande est active dans la position PCB TRACK (piste du circuit imprimé) uniquement. Elle s'utilise pour régler le gain afin de l'adapter à la largeur physique de la piste qui est mesurée.

Position du tracé

Cette commande règle le décalage CC dans le signal de sortie afin de compenser certains champs comme les champs magnétiques de la terre. À des sensibilités élevées, cette commande possède une plage bien plus étendue que celle de la position Y de la plupart des oscilloscopes.

Commutateur pour la largeur du spectre

Ce commutateur à trois positions permet à l'utilisateur de choisir le meilleur compromis entre la largeur de spectre du signal et le niveau de bruit. Les trois largeurs de spectre nominales sont 5 MHz, 500 kHz et 2 Hz. La position 2 Hz retire la quasi-totalité des effets visibles des champs de fréquence du secteur à 50 ou 60 Hz. Noter toutefois qu'une surcharge invisible de la sonde est possible par un champ important à des fréquences supérieures à la limite du spectre du signal.

Commutateur pour l'étalonneur

La sonde étant insérée dans l'orifice d'étalonnage jusqu'à son contact avec le circuit imprimé, elle est sujette au champ provenant d'un courant connu. Le commutateur à trois positions permet de sélectionner un courant CA (onde carrée de 1 kHz) ou un courant CC, avec la position centrale hors tension. La procédure d'utilisation de ce dispositif pour étalonner la sensibilité de la sonde afin de l'adapter à la largeur d'une piste particulière est détaillée ci-dessous.

Le courant d'étalonnage doit être mis hors tension quand il n'est pas utilisé.

Indicateur de surcharge

L'indicateur de surcharge s'illuminera si le signal dépasse le niveau d'écrêtage de l'amplificateur de sortie, ou si le champ magnétique est tellement important que le système est saturé, ce qui fait paraître le signal de sortie dans les limites de la plage de fonctionnement. Cet indicateur doit surtout être surveillé si le couplage CA est utilisé sur l'oscilloscope, car il est encore possible que les champs CC surchargent la sonde.

Mesures du champ magnétique

Le champ magnétique se mesure le long de la partie plus large de la pointe de sonde. Le facteur d'échelle est 250 μ T (micro-Tesla) par Volt ; la séquence normale du réglage de l'oscilloscope donne donc 250 μ T/div à 1 V/div, 500 μ T/div à 2 V/div et 1,25 mT/div à 5 V/div. Échelles de comptage décimal plus sensibles comme prévu. 250 μ T correspond à 2,5 Gauss.

Le facteur d'échelle peut également être considéré comme étant 200 Amps-par-mètre par Volt. Les facteurs d'échelle correspondants sont donc 200 A/m/div, 400 A/m/div et 1 000 A/m/div.

Dans les deux cas, la tension de sortie maximale est de ± 10 V, ce qui correspond au champ de fonctionnement maximum de 2,5 mT ou $\pm 2 000$ A/m.

Si la sonde est maintenue avec la pointe en bas (poignée vers le haut), avec le signe + sur le corps de la sonde face à l'utilisateur et orientée de façon à donner une tension de sortie positive, alors les lignes de force passent d'un pôle nord situé sur la gauche, à un pôle sud sur la droite. Dans le champ magnétique terrestre, cela signifie que le nord géographique se trouve sur la droite.

Notes d'application pour les mesures du champ magnétique

En raison des dimensions minuscules de la pointe de la sonde, celle-ci est capable de rechercher la variation des champs magnétiques sur des zones très localisées. Elle peut rechercher les champs autour des inducteurs et les espaces dans leurs noyaux qui peuvent parfois provoquer une diaphonie inattendue dans un circuit électronique. Elle peut également indiquer les champs rayonnant à travers la totalité des fentes et des orifices dans un boîtier d'équipement, qui sont souvent la source de problèmes de compatibilité CEM. La sonde est dotée d'un spectre de signal qui couvre la plupart des formes d'ondes dans les alimentations à découpage.

Le faible niveau sonore du système lui permet de mesurer des champs bien plus petits que le champ terrestre qui, avec les paramètres de sensibilité élevée de l'oscilloscope, peut mener le tracé bien au-delà des limites de l'écran. Le réglage TRACE POSITION (Position du tracé) sur le boîtier de commande a une portée bien plus importante que la commande typique maj.-Y d'un oscilloscope. Dans de nombreux cas, le couplage CA de l'oscilloscope peut être utilisé, ce qui minimise les dérangements si la distorsion de basse fréquence de la forme d'onde est acceptable.

Mesures du courant dans un fil

Un joint torique est fourni pour permettre de mesurer le courant passant dans un fil ou un câble. Ce joint contient un noyau magnétique qui concentre le champ entourant le câble sur le capteur de la sonde de courant. Il se verrouille mécaniquement sur le nez de la sonde afin de maintenir la relation appropriée entre l'espace dans le tore et le capteur dans la pointe de la sonde.

Attacher le tore sur le câble



Avant d'attacher le tore bobiné sur le câble à mesurer, s'assurer d'abord qu'il n'existe aucun risque d'électrocution pour l'opérateur, soit en vérifiant que le câble est correctement isolé pour la tension qu'il porte, soit en le débranchant de son alimentation.

Passer le câble à travers l'extrémité ouverte des mâchoires du boîtier du tore, puis aligner la sonde de façon à ce que les grandes pointes sur le nez soient alignées avec les espaces situés dans le boîtier, et les pousser ensemble sur une ligne rectiligne. Les mâchoires du joint sont séparées par la force tandis que le nez de la sonde passe à travers, jusqu'à ce qu'elles se verrouillent (par un clic) dans les fentes de positionnement. Confirmer que les deux parties sont bien verrouillées ensemble en faisant pivoter et en poussant doucement la sonde. Pour des résultats étalonnés, arranger le câble pour qu'il se trouve à l'arrière de l'orifice dans le tore, loin de la pointe de détection de la sonde.

Sélectionner la position du fil sur le commutateur MODE sur le boîtier de commande. Ceci donne une sensibilité étalonnée de 1 Volt par Ampère. Régler la sensibilité de l'axe des ordonnées (Y) de l'oscilloscope selon les besoins et sélectionner un paramètre BANDWIDTH (spectre du signal) approprié.

Remarque : L'étalonnage de 1 V/A ne s'applique qu'à un jeu assorti de sonde et de tore. Les joints toriques ne sont pas interchangeables entre les sondes. Vérifier que les numéros de série de la sonde et du tore correspondent afin de s'assurer que le pairage utilisé est étalonné.

Remarques sur le fonctionnement pour l'utilisation du joint torique

Le circuit magnétique du tore réduit la sensibilité vers les champs magnétiques externes (y compris le champ de la terre) par un facteur d'environ cinq. La mesure est par conséquent bien moins affectée par le positionnement de la sonde. Toutefois, pour une meilleure cohérence des mesures, agencer la sonde pour qu'elle repose dans une position fixe, loin des champs locaux forts.

Une sensibilité supplémentaire peut être obtenue en embobinant le fil plusieurs fois autour du tore. L'augmentation obtenue en inductances d'insertion affectera légèrement la réponse en fréquence, et peut affecter certains circuits de haute fréquence, mais le facteur d'échelle est sinon multiplié par le nombre de tours de fil.

Lors de la mesure du CC, celle-ci peut être affectée par une petite hystérèse et des effets de rémanence dans le matériau magnétique du tore. Pour une précision optimale, appliquer d'abord le courant dans le sens requis pour pré polariser le circuit magnétique, puis couper le courant et régler la commande TRACE POSITION (position du tracé) afin de régler le point zéro sur l'oscilloscope ; puis réappliquer le courant pour le mesurer. Ce point zéro ne changera pas beaucoup lorsque le courant variera, à condition qu'il reste dans le même sens. Cependant, si la polarité du courant est inversée, le zéro doit être

réinitialisé. Lors de la mesure du courant alternatif, cet effet est négligeable, mais il convient de noter que lorsque le courant est éteint, le point zéro peut afficher un certain décalage.

Les marques de polarité sur le corps de la sonde sont la référence pour indiquer le sens du courant : la sortie vers l'instrument de mesure est positive quand le courant passe du côté portant la marque + au côté portant la marque -. Il y a également des marques de polarité sur le joint torique, mais celles-ci contribuent uniquement à un joint uniforme ; une inversion du tore n'inverse pas la polarité.

Dépose du tore



Avant de toucher le tore, s'assurer de l'absence de toute tension dangereuse.

Pour retirer le tore, tenir à la fois le joint torique et le corps de la sonde et faire tourner doucement à un angle de 30 ° tout en séparant les deux pièces. L'action de torsion utilise les cosses sur le nez de la sonde afin de déloger les bras du boîtier du tore, ce qui rend la dépose plus aisée qu'une traction directe.

Mesure du courant dans une piste de circuit imprimé

Avant de toucher la sonde sur les pistes porteuses de haute tension, vérifier toujours l'état d'isolation de la pointe. La pointe de la sonde est à double isolation ; sous moulage "pointe d'usure" à point de fusion élevé noir, se trouve le second moulage de couleur claire qui contient le capteur lui-même. Si le moulage intérieur de couleur claire est visible, alors la sonde n'est plus fiable pour un usage sous haute tension. Une inspection minutieuse est requise, car la poussière ou une usure irrégulière peuvent rendre la différence de couleur difficile à détecter. Éviter de frotter la pointe contre des surfaces rugueuses afin d'en optimiser la durée de vie.



Les mesures effectuées sur des appareils avec des tensions dangereuses exposées ne doivent être réalisées que par des ingénieurs ayant reçu une formation et une expérience suffisantes afin de reconnaître les dangers impliqués. Toujours prendre soin de garder vos mains loin des hautes tensions.

La sonde mesure le courant dans une piste de circuit imprimé en mesurant le champ magnétique autour du cheminement provoqué par le courant. La sonde doit être maintenue centrée sur la piste, avec le côté long de la pointe de la sonde **à travers** la piste et le corps de la sonde maintenu aussi perpendiculaire que possible par rapport à la piste. Quand la sortie est positive sur l'instrument de mesure, le courant passe dans le sens + vers - indiqué par les marques + et - sur le corps de la sonde. Étant donné qu'il ne s'agit pas d'un circuit fermé par champ magnétique, la sonde sera également influencée par tous les champs magnétiques externes au moment de la mesure. Il existe de nombreuses causes pour ces champs : le champ magnétique de la terre (qui peut être modifié par la transformation des métaux d'acier), les champs de fuite provenant des inducteurs ou des transformateurs, des composants magnétisés (tels que des vis) et même des matériaux magnétiques dans les électrodes ou les terminaisons des composants électriques. Par conséquent, il est assez difficile d'effectuer des mesures quantitatives précises, mais il existe de nombreuses applications où une mesure qualitative donne toutes les informations nécessaires.

Mesures qualitatives

Les domaines d'application majeurs de cette sonde se situent dans les alimentations à découpage, les amplificateurs de puissance ou autres circuits où de grandes intensités passent. La sonde est optimisée pour une fidélité de la forme d'onde, et le fait que sa réponse se prolonge jusqu'au CC permet une visualisation exacte des formes d'onde. Sa nature très localisée permet une investigation détaillée des chemins exacts que ces courants prennent.

Elle peut par exemple être utilisée pour rechercher l'efficacité des condensateurs de réservoir ou de découplage : un courant pulsé doit passer entre l'appareil de connexion ou redresseur et le condensateur, et seul un composant CC doit passer depuis l'autre côté de la jonction. Les signaux résiduels de commutation provoqués par une topologie incorrecte ou des composants inadéquats sont facilement visibles.

La sonde peut être particulièrement utile dans la recherche de la circulation du courant dans une alimentation et des plans de masse. Il est courant de constater que si un plan de masse est divisé, puis se rejoint, peut-être autour d'un groupe de composants, un courant inattendu de circulation peut alors être induit autour de la boucle obtenue. Elle peut également être utilisée pour indiquer le rayonnement et

le couplage mutuel entre les circuits, et pour vérifier une annulation correcte dans les circuits qui sont supposés être équilibrés.

Une autre application se situe au niveau de la découverte de courts-circuits sur un circuit imprimé, où le courant peut être suivi depuis sa source jusqu'au point où il est dévié par le défaut. La comparaison du signal avec le courant mis sous tension et hors tension peut faire la distinction entre le courant de défaut et les champs magnétiques externes.

Les courants se mesurent non seulement dans les pistes de circuit imprimé, mais aussi dans les broches de raccordement, y compris les bornes de circuits intégrés. Prendre soin d'éviter les composants très chauds, comme les résistances bobinées, qui peuvent dépasser les caractéristiques thermiques de la pointe de la sonde.

Étalonnage pour mesures quantitatives sur les pistes de circuits imprimés

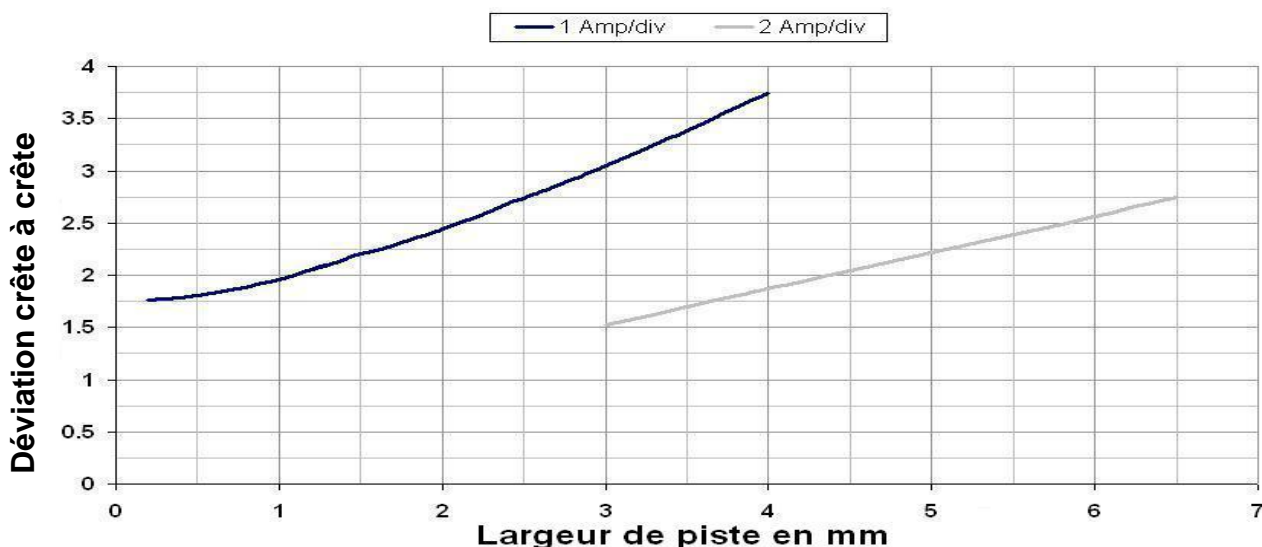
La relation entre la tension de sortie visible sur l'oscilloscope et le courant réel sur la piste du circuit imprimé dépend d'une relation complexe entre la largeur de la piste, la largeur du capteur à l'intérieur de la sonde de courant, et l'épaisseur de l'isolation de la sonde entre la piste et ce capteur. Pour obtenir des mesures quantitatives, le réglage de la sensibilité sur le boîtier de commande doit être effectué de façon à s'adapter à la largeur de la piste spécifique mesurée. Plus la piste est large, plus l'intensité du champ est faible pour un courant donné, et donc le gain requis sera plus grand pour obtenir une sensibilité de 1 A/V. Pour les largeurs de piste au-dessus d'environ 3.5 mm, le système doit être réglé pour une sensibilité de 2 A/V.

Cette relation entre la largeur de piste et le gain requis a été intégrée dans le graphique d'étalonnage ci-dessous. La procédure d'étalonnage exige le placement de la sonde dans l'orifice d'étalonnage sur le boîtier de commande et l'application du courant d'étalonnage. La commande de sensibilité est ensuite réglée pour obtenir la tension de sortie particulière (telle que mesurée par la déviation du tracé de l'oscilloscope) afin de s'adapter à la largeur de la piste prévue. L'étalonneur peut produire soit une onde carrée, soit un courant d'étalonnage CC. Pour éviter des difficultés provoquées par l'influence du champ magnétique de la terre et l'environnement magnétique local, l'étalonnage est habituellement effectué à l'aide du signal de l'onde carrée qui est obtenue en réglant le commutateur sur la position (↓) vers l'intérieur. Le signal est une onde carrée d'environ 1 kHz. Le paramètre d'amplitude se réfère à l'amplitude crête-à-crête entre les parties plates de l'onde carrée, sans tenir compte de tout dépassement quelconque sur les transitions.

Procédure détaillée

Tout d'abord, décider de la largeur de la piste pour laquelle une mesure étalonnée est nécessaire. Puis, à l'aide du graphique, consulter le paramètre de déviation de l'étalonnage pour cette largeur de piste et régler l'oscilloscope sur une sensibilité appropriée (1 Volt par division pour les pistes étroites ou 0,5 Volt par division pour les pistes plus larges).

Paramètre de gain du circuit imprimé I-prober 520



Insérer la sonde dans la cavité d'étalonnage et mettre le signal d'étalonnage sous tension en réglant le commutateur CALIBRATOR (étalonneur) sur la position CA (marquée ↓, vers le centre de la boîte de commande). Optimiser l'orientation de la sonde à l'intérieur de la cavité d'étalonnage pour obtenir l'amplitude maximum du signal sur l'oscilloscope, puis régler la commande de Trace Position (Position du tracé) pour centrer le tracé sur l'écran.

Régler la commande de sensibilité du circuit imprimé de façon à ce que la déviation crête-à-crête (en ignorant les dépassements) soit égale à la valeur obtenue au-dessus du graphique d'étalonnage afin de l'adapter à la largeur de piste requise.

Mettre le signal d'étalonnage hors tension en retournant le commutateur CALIBRATOR (étalonneur) sur sa position centrale.

Pour les pistes d'une largeur supérieure à 6,5 mm, il est supposé que la lecture est inversement proportionnelle à la largeur de piste, plus 2,2 mm. Autrement, basculer sur le mode Magnetic Field (Champ magnétique) et mesurer le champ en ampère par mètre. Celui-ci peut être converti en ampères, en supposant que la longueur du chemin fait deux fois la largeur de la piste, plus 4,4 mm (ce chiffre tient compte du fait que le capteur est 0,7 mm au-dessus de la surface de la piste). Cette relation suppose que la piste est longue par rapport à sa largeur et qu'elle est raisonnablement uniforme dans sa topologie.

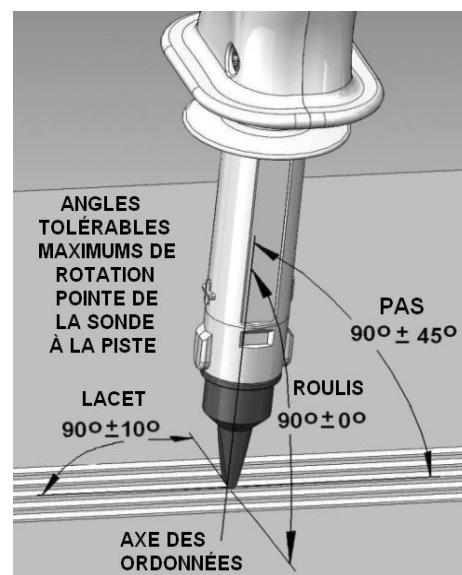
Aspects pratiques des mesures quantitatives

Pour mesurer le courant d'une piste avec précision, la sonde doit être placée précisément à la verticale dans deux dimensions, posée exactement au-dessus du centre de la piste et alignée avec le côté long de la pointe à angle droit avec la piste.

Le schéma indique le bon sens. Si la sonde n'est pas alignée à angle droit le long de la piste (le lacet), la sortie varie selon une loi des sinus, de petites erreurs sont donc tolérables ; de même, un pivotement de la sonde vers l'avant ou l'arrière autour de sa pointe arrondie (le pas) ne provoque pas d'erreurs importantes. Les exigences de position les plus cruciales sont le centrage sur la piste et être à la verticale d'un côté à l'autre (le roulis) pour que la sonde soit à plat sur la piste, et non pas inclinée dans l'angle de sa pointe.



Éviter la tentation de manipuler la pointe de la sonde avec les doigts, à moins d'être certain de l'absence de tension dangereuse.



En l'absence de champs inégaux étrangers, la position correcte est celle donnant la sortie la plus importante, mais il est établi que dans un environnement contenant de nombreux matériaux magnétiques, le champ magnétique localisé peut considérablement varier tant en terme de magnitude que de direction par rapport au champ nord-sud de la terre qui existe dans l'espace libre. Par conséquent, même de petits mouvements au niveau de la position de la sonde peuvent avoir un effet significatif sur la tension de sortie résiduelle. Le meilleur moyen de minimiser l'effet de ce phénomène est de placer la sonde à l'emplacement requis sur la piste à mesurer, de mettre le courant hors tension et de régler la position zéro, puis de mettre le courant sous tension et de noter sa magnitude. Un grand nombre de ces difficultés peut être évité si une mesure du CA est possible.

Lors de la mesure de petits courants (petits par rapport à l'effet du champ magnétique de l'environnement local), il est utile de pouvoir maintenir la sonde fixée dans l'espace (à l'aide d'un statif ou d'un appareil similaire) en déplaçant le signal qui est testé sous la sonde fixée.

Noter que la procédure d'étalonnage donnée ci-dessus ne donne des résultats précis que lorsque la mesure se trouve sur une piste isolée à une certaine distance de tout autre courant. Les pistes adjacentes porteuses de courants, y compris celles de l'autre côté du circuit imprimé, auront un effet significatif sur la mesure. Obtenir un résultat quantitatif dans de telles circonstances nécessite une analyse mathématique à partir des premiers principes.

Maintenance

Le fabricant ou ses agences à l'étranger proposent un service de réparation pour tout appareil défaillant. Si les propriétaires de ce matériel souhaitent en effectuer l'entretien par leurs propres moyens, il est fortement recommandé que ce travail soit effectué exclusivement par un personnel qualifié, à l'aide du guide d'entretien que l'on peut acheter directement auprès du fabricant ou de ses agents à l'étranger.

Nettoyage

Si l'appareil a besoin d'être nettoyé, utiliser un chiffon qui aura seulement été légèrement humidifié avec un peu d'eau ou un détergent doux.

AVERTISSEMENT ! AFIN D'ÉVITER TOUT RISQUE D'ÉLECTROCUTION OU TOUTE DÉTÉRIORATION DE L'APPAREIL, NE JAMAIS LAISSER D'EAU S'INFILTRER À L'INTÉRIEUR DU BOÎTIER. POUR ÉVITER TOUTE DÉTÉRIORATION, NE JAMAIS UTILISER DE SOLVANTS POUR NETTOYER LE BOÎTIER.

Isolation de la pointe

Si l'isolation de la pointe de la sonde devient usée ou endommagée de telle façon que la couche intérieure de l'isolation est apparente, veuillez contacter le fabricant ou ses agents à l'étranger.

Étalonnage

Le paramètre fondamental d'étalonnage est un champ magnétique ; l'étalonnage nécessite un champ étalonné à partir d'une bobine de Helmholtz de précision. Le fabricant peut fournir un service de ré-étalonnage approprié au cas où le service d'étalonnage local serait dans l'incapacité de le faire.

Toutefois, si seul un ré-étalonnage du courant dans un fil est nécessaire (avec le joint torique), celui-ci peut être réalisé à l'aide d'un étalonneur multimètre standard plus facilement disponible.

L'étalonnage est effectué à l'aide d'une onde sinusoïdale de 50 ou 60 Hz. Prendre soin d'établir une position renouvelable du câble à l'intérieur de l'ouverture du tore ; celle-ci se situe généralement en face de la pointe de la sonde, et aussi loin à l'arrière que possible.

Lien Web

Pour toute assistance, consultez www.aimtti.com

Einführung

Der Aim I-prober 520 ist ein einzigartiges Gerät, das in der Lage ist, Strommessungen auf Leiterbahnen und an anderen Stellen durchzuführen, wo herkömmliche Stromzangen nicht verwendet werden können. Es handelt sich um eine positionierbare Strommesssonde, die ihre Messung aus dem Magnetfeld an einer in Bezug auf den stromführenden Leiter definierten Stelle ableitet. Dies ermöglicht das Darstellen und Messen von Strömen, indem man einfach die isolierte Spitze der Sonde auf eine Leiterbahn, den Anschluss eines Bauteils oder auf eine Massefläche setzt.

Durch Anschließen des mitgelieferten Ringkern-Aufsatzes verwandelt sich der Messkopf auf Wunsch in eine herkömmliche Strommesssonde mit geschlossener magnetischer Schleife.

Diese Strommesssonde verwendet ein Messverfahren, das allgemein als Fluxgate-Magnetometer (Förster-Sonde) bekannt ist und das umgebende Magnetfeld eines elektrischen Stroms misst. Das Magnetometer besteht aus einer kleinen Drahtspule um einen Kern, der aus einem speziellen Material mit besonderen magnetischen Eigenschaften hergestellt ist. Ein Erregerstrom (ca. 40 MHz) wird durch die Spule geleitet, die den Kern abwechselnd in entgegengesetzter Richtung magnetisiert. Wenn kein externes Magnetfeld anliegt, ist diese Magnetisierung symmetrisch. Beim Anlegen eines externen Magnetfelds, wird die resultierende Asymmetrie durch eine Rückkopplungsschleife erfasst, die einen gegenläufigen Strom durch die Spule schickt, damit das „Netto-Feld“ auf Null bleibt. Die Ausgangsspannung verhält sich proportional zu diesem gegenläufigen Strom und damit zur Feldstärke.

Die Besonderheit dieser Sonde ist die sehr geringe Größe des Magnetometer-Elements, so dass Felder an einer genau lokalisierten Position im Raum gemessen werden können. Zudem wird so eine Bandbreite von DC bis 5MHz ermöglicht. Zwei niedrigere Bandbreiteneinstellungen sind ebenfalls vorhanden, die einen niedrigeren Rauschanteil bieten.

Im Gegensatz zu trafobasierten Sonden, die entweder AC-gekoppelt sind oder einen separaten Mechanismus (z. B. ein Hall-Effekt-Element) benötigen, um eine Bandbreite bis DC zu ermöglichen, nutzt dieser Messkopf das gleiche Messprinzip für alle Frequenzen über die gesamte Bandbreite.

Die Sonde ist für die Verwendung mit einem Oszilloskop mit einer standardmäßigen $1M\Omega$ Eingangsimpedanz vorgesehen.

Strommesssonde

Dieses Gerät wurde nach der Sicherheitsklasse (Schutzart) III der IEC-Klassifikation und gemäß den europäischen Vorschriften EN61010-1 (Sicherheitsvorschriften für elektrische Mess-, Steuer-, Regel- und Laboranlagen) sowie den Unterabschnitt EN61010-031 entwickelt, soweit sie diese spezielle Form einer Stromzange betreffen.

Das Gerät wurde gemäß den Vorschriften EN61010-1 und EN61010-031 geprüft und in sicherem Zustand geliefert. Die vorliegende Anleitung enthält wichtige, vom Benutzer zu beachtende Informationen und Warnungen, die den sicheren Betrieb und Zustand des Geräts gewährleisten.

Dieses Gerät ist für den Betrieb in Innenräumen der Umgebungsklasse 2, für einen Temperaturbereich von +5° C bis +40° C und 20 - 80 % relative Feuchtigkeit (nicht kondensierend) vorgesehen. Gelegentlich kann es Temperaturen zwischen +5° und -10°C ausgesetzt sein, ohne dass seine Sicherheit dadurch beeinträchtigt wird. Betreiben Sie das Gerät jedoch auf keinen Fall, solange Kondensation vorhanden ist.

WARN- UND SICHERHEITSHINWEISE

- Ein Einsatz dieses Geräts in einer Weise, die von dieser Anleitung nicht vorgesehen ist, kann seine Sicherheit beeinträchtigen.
- Diese Sonde darf nur von qualifiziertem Personal eingesetzt werden, das sich der Risiken bei der Handhabung von Prüfspitzen in der Nähe von offen zugänglichen, gefährlichen Spannungen (d. h. Spannungen über 70V DC oder Wechselspannungen über 33Vrms bzw. 46,7 Vpeak) bewusst ist. Die maximale Spannung von blanken Leitern, auf denen es eingesetzt werden kann, beträgt 300Vrms CAT II oder 600Vrms CAT I.
- Die Höchsttemperatur der Oberfläche, auf die die Sondenspitze kurzzeitig (maximal 2 Minuten) aufgesetzt werden darf, beträgt 150°C. Keine anderen Teile der Sonde hohen Temperaturen aussetzen.
- Verbinden Sie den Netzadapter mit dem Steuergerät und das BNC-Ausgangskabel mit dem Oszilloskop, bevor Sie irgendwelche Messungen beginnen. Verwenden Sie nur den mitgelieferten Netzadapter und immer ein Oszilloskop, dessen Gehäuse geerdet ist.
- Überprüfen Sie Sondenspitze, Gehäuse und Verkabelung vor jedem Einsatz auf Verschleiß und Beschädigungen. Die Sicherheit hängt ganz von der Integrität der Isolierung des Sondenabschnitts vor der erhöhten Sicherheitsmarkierung sowie besonders von der Unversehrtheit der Sondenspitze ab.

VERWENDEN SIE DIE PRÜFSPITZE NICHT, WENN IRGEND EIN TEIL BESCHÄDIGT ZU SEIN SCHEINT

Im Wartungskapitel finden Sie Informationen zur Rücksendung beschädigter Prüfspitzen.

Demontieren Sie weder die Sonde noch das Steuergerät - es gibt keine vom Anwender zu wartenden Teile.

- Halten Sie bei der Messung von gefährlichen Spannungen die Prüfspitze nicht im Bereich vor dem Fingerschutz (zwischen Sondenkörper und Prüfspitze) und lassen Sie keine gefährliche Spannung näher an den Fingerschutz, als durch die Sicherheitsmarkierung angegeben ist. Siehe nebenstehende Grafik.
- Vor dem Anbringen oder Abnehmen des Ringkern-Aufsatzes bei nicht isolierten Leitern, die gefährliche Spannungen führen, dafür sorgen, dass der Leiter nicht stromführend ist.
- Verwenden Sie die Prüfspitze nicht, wenn diese nass ist oder Kondenswasser vorhanden ist. Das Gerät darf bei der Reinigung nicht nass werden.

Netzteil

Der mitgelieferte Netzadapter ist für Eingangsspannungen von 100-240 VAC, 50/60 Hz ausgelegt. Es handelt sich um ein schutzisoliertes Gerät der Klasse II und entspricht EN 60950-1 (2001) sowie UL 60950 (UL-Listung E245390).

Symbole

Die folgenden Symbole werden auf der Strommesssonde und in diesem Handbuch verwendet.



WARNUNG - Gefahr eines elektrischen Schlages.



ACHTUNG - siehe beiliegende Dokumentation (Handbuch).
Es können Schäden am Gerät auftreten, wenn diese Vorsichtsmaßnahmen ignoriert werden.



Nicht an oder in Gegenwart gefährlicher stromführender Leiter verwenden.



Verwendung mit gefährlichen stromführenden Leitern erlaubt.



Durch doppelte Isolierung oder verstärkte Isolierung geschützt.



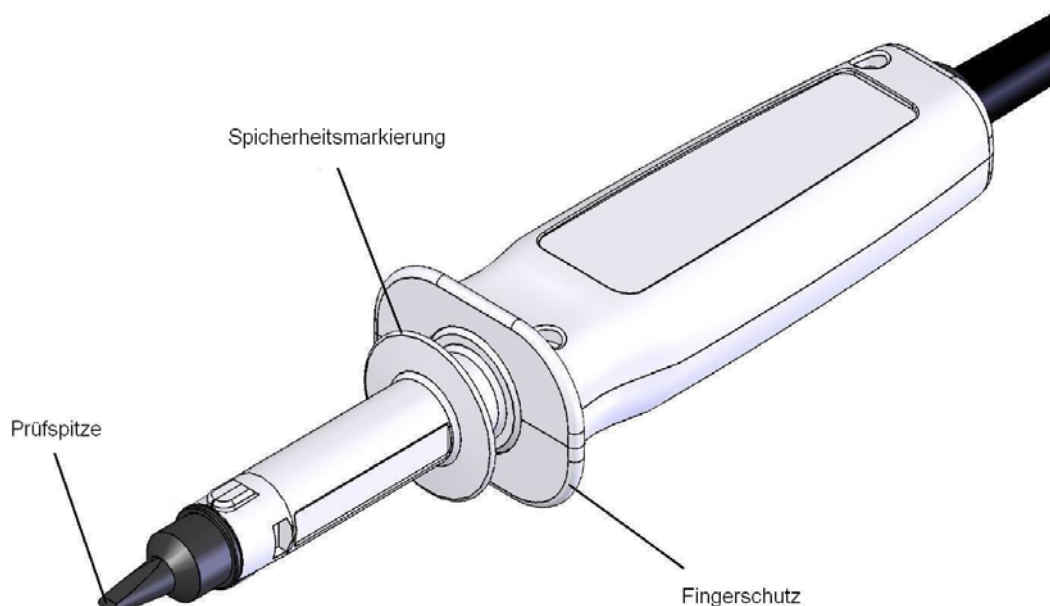
Wechselstrom (AC).



Gleichstrom (DC).

CAT II Messkategorie II; die maximale Nennspannung gegen Erde für CAT II Messungen wird in der Regel mit dem Symbol angezeigt. Messkategorie II gilt für Messungen an Schaltkreisen, die direkt an Niederspannungsnetzteile angeschlossen sind, z. B. tragbare Geräte und Ausrüstungen. CAT II gilt **nicht** für Messungen mit Verteilerschaltungen (z. B. Verteiler, Leistungsschalter, Sammelschienen usw.) oder industriellen Anlagen, die allesamt als CAT III eingestuft sind.

CAT I Messkategorie I; die maximale Nennspannung gegen Erde für CAT I Messungen wird in der Regel mit dem Symbol angezeigt. Messkategorie I gilt für Messungen an Schaltkreisen, die nicht direkt an Niederspannungsnetzteile angeschlossen sind. Diese Kategorie beinhaltet Sekundärkreise, die durch einen Transformator von Netzstromkreisen getrennt sind und für Netzstromkreise, bei denen Maßnahmen ergriffen wurden, um transiente Überspannungen auf ein geeignetes Niveau zu begrenzen. Die maximal zulässige transiente Überspannung für die 600V CAT I Einstufung dieser Sonde ist 2500 V.



Netzbetriebsspannung

Das Netzteil dieses Geräts hat einen universellen Eingangsbereich und kann über eine Nennspannung von 115 V oder 230 V (50Hz oder 60Hz), ohne weitere Anpassungen betrieben werden. Prüfen Sie, dass Ihre lokale Spannungsversorgung diesen AC-Eingangswerten entspricht.

Montieren Sie den passenden nationalen Stromanschluss an den Adapter, indem Sie ihn in die Nuten einschieben, bis er einrastet.

Das Gerät darf nur über das mitgelieferte Netzteil versorgt werden.

Trennen Sie das Netzgerät bei Nichtgebrauch vom Netz.

Das Netzteil ist ein schutzisoliertes Gerät der Klasse II und stellt 5,2 VDC bis zu 1 A bereit. Die Bezugsmasse des Messsystems wird über die Erdung des Oszilloskops hergestellt. Verwenden Sie immer ein Oszilloskop mit geerdetem Gehäuse, so dass der BNC-Stecker mit Masse verbunden ist.

Generelle Überlegungen

Bei Verwendung ohne Ringkern-Aufsatz (für Strommessungen in einem Leiter) wird die Sonde während des Messvorgangs merklich von äußeren Magnetfeldern beeinflusst – dies gilt nicht nur für das Magnetfeld der Erde (das durch entsprechende Metallbauten kompensiert werden könnte), sondern auch für Streufelder von Induktoren oder Transformatoren, magnetisierten Komponenten usw. Das Kapitel zum Betrieb enthält nützliche Hinweise, wie Sie die besten qualitativen und quantitativen Messungen in den verschiedenen Betriebsmodi trotz solcher Störfelder erreichen.

Anschlüsse

Stromanschluss

Montieren Sie den passenden Stecker an den Adapter, indem Sie ihn in die Nuten einschieben, bis er einrastet und schließen Sie den Adapter an die Stromversorgung an. Stecken Sie das Ausgangskabel des Adapters in den Eingang des Steuergeräts (DC IN).

Das Gerät darf nur über das mitgelieferte Netzteil versorgt werden.

Ausgangssignal

Verbinden Sie den BNC-Anschluss des festen Ausgangskabels von der Steuereinheit (OUTPUT) mit dem 1 M Ω Eingang des Oszilloskops. Dieser Anschluss reagiert empfindlich auf kapazitive Belastung und sollte nicht verlängert werden, wenn eine genaue Darstellung der Wellenform erforderlich ist. Verwenden Sie immer ein Oszilloskop mit geerdetem Gehäuse, so dass der BNC-Stecker mit Masse verbunden ist. Stellen Sie diese Verbindung her bevor Sie hohe Spannungen messen.

Die Eingangsempfindlichkeit der Y-Achse an die Feldstärke des untersuchten Signals anpassen. Mit Hilfe der AC-Kopplung kann die Wirkung des Erdmagnetfeldes (oder anderer Magnetfelder) eliminiert werden, sofern dessen Stärke die Sonde nicht überlastet.

Messkabelanschluss

Das Kabel zwischen Sonde und Steuergerät ist an beiden Enden fest verbunden und kann nicht vom Benutzer ausgetauscht werden. Es sollte darauf geachtet werden, dass es nicht mit heißen Gegenständen in Berührung kommt.

Die Strommessung erfolgt effektiv „kontaktfrei“. Es findet keine galvanische Verbindung zum stromdurchflossenen gemessenen Leiter statt. Messspitze und Messstab vor der erhöhten Sicherheitsbarriere sind doppelt isoliert. Daher können auch hohe Spannungen sicher gemessen werden, sofern sie nicht die Grenzwerte in den technischen Daten überschreiten. Allerdings ist unbedingt darauf zu achten, dass die Isolierung der Sondenspitze nicht durch Abrieb oder durch Kontakt mit heißen Oberflächen über 150 °C beschädigt wird.



Sie müssen die Sicherheitshinweise in diesem Handbuch vor dem Gebrauch gelesen und verstanden haben.

Messungen an Geräten mit gefährlichen Spannungen dürfen nur von Technikern mit ausreichender Ausbildung und Erfahrung vorgenommen werden, die in der Lage sind Gefahren zu erkennen.

Kontrollieren Sie die Prüfspitze vor dem Einsatz mit gefährlichen Spannungen immer auf Verschleiß.

Bedienelemente

Die folgenden Bedienelemente befinden sich auf dem Steuergerät.

Betriebsartenschalter

Dieser Schiebeschalter mit drei Einstellungen regelt die Verstärkung der Sonde für kalibrierte Resultate unter folgenden Umständen:

FIELD	Messung des Magnetfeldes.
PCB TRACK	Strommessung in einer Leiterbahn unter der Sondenspitze.
WIRE	Strommessung in einem Leiter oder Kabel bei Verwendung des Ringkern-Aufsatzes.

Empfindlichkeit

Dieser Regler ist nur in der Stellung PCB TRACK aktiv und wird verwendet, um die Verstärkung entsprechend der tatsächlichen Leiterbahnbreite einzustellen.

Kurvenposition

Dieser Regler steuert den DC-Offset des Ausgangssignals, um z. B. das Magnetfeld der Erde zu kompensieren. Bei hoher Empfindlichkeitseinstellung ist dieser Regler viel wirkungsvoller als der Y-Regler der meisten Oszilloskope.

Bandbreitenschalter

Dieser Schalter besitzt drei Stellungen um den besten Kompromiss zwischen Signalbandbreite und Rauschabstand zu wählen. Die drei Bandbreiten umfassen nominell 5 MHz, 500 kHz und 2 Hz. In der 2Hz Stellung werden die Netzfrequenzen von 50 bzw. 60 Hz fast vollständig entfernt, beachten Sie aber, dass die Sonde „unsichtbar“ von einem großen Feld mit Frequenzen oberhalb der Bandbreite überlastet werden kann.

Kalibrierschalter

Wenn die Sonde in die Kalibrieröffnung gesteckt wird bis Kontakt mit der Platine hergestellt ist, kann ein Feld eines bekannten Stroms angelegt werden. Mit dem Dreistufenschalter kann zwischen AC (1 kHz Rechteck) oder DC-Strom gewählt werden. In der Mittelstellung ist die Kalibrierung ausgeschaltet. Das Verfahren zur Kalibrierung der Sondenempfindlichkeit für bestimmte Leiterbahnbreiten wird weiter unten beschrieben.

Bei Nichtgebrauch sollte der Kalibrierstrom abgeschaltet werden.

Überlastanzeige

Die Überlast-Anzeige leuchtet auf, wenn das Signal entweder über dem Clipping-Pegel des Ausgangsverstärkers liegt oder wenn das Magnetfeld so groß ist, dass das System gesättigt ist. Im letzteren Fall kann dies dazu führen, dass das Ausgangssignal innerhalb des Arbeitsbereiches zu liegen scheint. Diese Anzeige muss besonders bei AC-Kopplung am Oszilloskop im Auge behalten werden, da Gleichstromfelder die Sonde gleichwohl überlasten können.

Magnetfeldmessungen

Das Magnetfeld wird entlang der größten Breite der Sondenspitze gemessen. Der Skalierungsfaktor beträgt $250\mu\text{T}$ (Mikrotesla) pro Volt, so dass bei einem normal eingestellten Oszilloskop folgende Entsprechungen gelten: $250\mu\text{T}/\text{div} = 1\text{V}/\text{div}$, $500\mu\text{T}/\text{div} = 2\text{V}/\text{div}$ und $1,25\text{mT}/\text{div} = 5\text{V}/\text{div}$. Bei höher eingestellter Empfindlichkeit ist die Skalierung entsprechend umzurechnen. $250\mu\text{T}$ entspricht 2,5 Gauss.

Alternativ kann der Skalierungsfaktor als 200 Ampere pro Meter pro Volt angesehen werden. Daraus ergeben sich die Skalierungsfaktoren $200\text{A}/\text{m}/\text{div}$, $400\text{A}/\text{m}/\text{div}$ und $1000\text{A}/\text{m}/\text{div}$.

In jedem Fall beträgt die maximale Ausgangsspannung $\pm 10\text{V}$ und entspricht damit einem maximalen Arbeitsfeld von $\pm 2,5\text{MT}$ oder $\pm 2000\text{A}/\text{m}$.

Wenn die Sonde nach unten gehalten wird (Griff nach oben), so dass das + Zeichen auf dem Griff zum Anwender zeigt und auf positive Ausgangsspannung gerichtet ist, dann verlaufen die Feldlinien vom Nordpol auf der linken Seite zum Südpol auf der rechten Seite. Für das Erdmagnetfeld bedeutet dies, dass sich geographisch Nord auf der rechten Seite befindet.

Applikationshinweise für Magnetfeldmessungen

Aufgrund der sehr kleinen Abmessungen der Sondenspitze kann die Sonde Veränderungen im Magnetfeld über sehr enge Bereiche erfassen. So können Felder rund um Induktoren und Luftspalten der Kerne untersucht werden, die manchmal zu unerwartetem Cross-Talk in einer elektronischen Schaltung führen. Sie kann auch Felder aufspüren, die aus Schlitzen und Bohrungen in einem Gerätegehäuse ausstrahlen und oft die Ursache von EMV-Problemen sind. Die Bandbreite der Sonde deckt die meisten Wellenformen in Schaltnetzteilen ab.

Durch den niedrigen Rauschabstand des Systems ist es für die Messung von Feldern geeignet, die viel kleiner als das Erdmagnetfeld sind, das sonst das Signal bei hoher Empfindlichkeitseinstellung des Oszilloskops weit vom Bildschirm ablenken kann. Die TRACE POSITION Einstellung der Steuereinheit bietet einen viel größeren Einstellbereich als die typische Y-Einstellung eines Oszilloskops. In vielen Fällen kann die AC-Kopplung des Oszilloskops verwendet werden, um so die Messung zu vereinfachen, sofern eine Verzerrung der Wellenform bei niedrigen Frequenzen akzeptabel ist.

Strommessung in einem Leiter

Ein Ringkernwandler liegt bei um die Strommessung in einem Leiter oder Kabel zu ermöglichen. Dieser Aufsatz enthält einen magnetischen Kern, der das Feld um das Kabel auf den Sensor der Messsonde konzentriert. Er wird mechanisch an der Spitze der Sonde verriegelt, so dass der richtige Abstand zwischen dem Spalt im Ringkern und dem Sensor in der Sondenspitze gegeben ist.

Aufsetzen des Ringkerns am Kabel



Vor dem Anbringen des Ringkerns am Kabel, zunächst sicherstellen, dass keine Gefahr eines elektrischen Schlages besteht. Dazu kontrollieren, ob das Kabel für die jeweilige Spannung ausreichend isoliert ist oder dieses von der Versorgungsspannung trennen.

Führen Sie das Kabel durch das offene Ende des Ringkern-Aufsatzes und richten Sie die Sonde dann so aus, dass die großen Vorsprünge vorne mit den Aussparungen im Gehäuse ausgerichtet sind und drücken Sie diese dann geradlinig zusammen. Die Backen des Ringkerns werden auseinander gespreizt, bis sie mit einem hörbaren Klick in die Haltenuten einrasten. Kontrollieren Sie durch vorsichtiges Drehen und Schieben der Sonde, dass beide Teile sicher miteinander verbunden sind. Um eine Kalibrierung zu ermöglichen, muss das Kabel hinten in der Ringkernöffnung liegen und nicht in Nähe der Prüfspitze.

Wählen Sie die Einstellung „Wire“ mit dem MODE-Schalter des Steuergeräts. Daraus ergibt sich eine kalibrierte Empfindlichkeit von 1 Volt pro Ampere. Stellen Sie die Y-Achse des Oszilloskops entsprechend ein und wählen Sie eine geeignete BANDWIDTH-Einstellung (Bandbreiteneinstellung).

Hinweis: Die 1 V/A-Kalibrierung gilt nur für ein abgestimmtes Paar, bestehend aus Sonde und Ringkern. Die Ringkern-Aufsätze sind nicht zwischen verschiedenen Sonden austauschbar. Prüfen Sie, ob die Seriennummern von Sonde und Ringkern übereinstimmen, um sicherzustellen, dass die verwendete Paarung kalibriert ist.

Bedienungshinweise für den Ringkern-Aufsatz

Der Magnetkreis des Ringkerns reduziert die Empfindlichkeit gegenüber externen Magnetfeldern (einschließlich des Erdmagnetfeldes) um einen Faktor von etwa fünf. Deshalb wird die Messung weniger stark durch die Positionierung der Sonde beeinflusst. Dennoch sollte die Sonde in einer fixen Stellung und nicht in Nähe starker lokaler Felder eingesetzt werden.

Die Empfindlichkeit kann durch das Umwickeln des Ringkerns mit mehreren Drahtwindungen erhöht werden. Durch die daraus resultierende höhere Induktivität wird der Frequenzgang etwas beeinträchtigt (und kann möglicherweise bestimmte Hochfrequenzschaltungen beeinflussen), ansonsten wird jedoch der Skalierungsfaktor mit der Anzahl der Windungen multipliziert.

Bei Gleichstrommessungen kann die Messung durch geringe Hysterese- und Remanenz-Effekte im Magneten des Ringkerns beeinflusst werden. Eine optimale Genauigkeit wird erreicht, wenn der Strom zuerst in der gewünschten Richtung angelegt wird um eine Vormagnetisierung zu erreichen. Dann den Strom unterbrechen und den TRACE POSITION Regler auf den Nullpunkt des Oszilloskops einstellen. Nun kann der Strom erneut gemessen werden. Dieser Nullpunkt wird sich nun bei Variierung des Stroms nicht viel ändern, vorausgesetzt die Richtung bleibt gleich. Wenn jedoch die Polarität des Stroms umgekehrt wird, sollte der Nullpunkt zurückgesetzt werden. Bei der Messung von Wechselstrom

ist dieser Effekt vernachlässigbar, beachten Sie aber, dass der Nullpunkt einen gewissen Offset aufweisen kann, wenn der Strom ausgeschaltet wird.

Die Polaritätsmarkierungen auf der Sonde geben die Richtung des Stroms an: der Ausgang des Messgerätes ist positiv, wenn der Strom von der Seite mit dem + Zeichen zur Seite mit dem – Zeichen fließt. Auch der Ringkern-Aufsatz besitzt Polaritätsmarkierungen, diese sollen jedoch nur für eine gleichbleibende Ausrichtung dienen – eine Umkehrung des Ringkerns bewirkt keine Umpolung.

Das Entfernen des Ringkerns



Vor dem Berühren des Ringkerns ist sicherzustellen, dass keine gefährlichen Spannungen vorhanden sind.

Zum Entfernen des Ringkerns den Aufsatz und die Sonde vorsichtig um etwa 30° verdrehen und beide Teile auseinander ziehen. Durch die Verdrehung spreizen die Vorsprünge auf der Sonde die Backen des Ringkern-Aufsatzes auseinander, sodass sich der Aufsatz leichter abnehmen lässt, als dies durch einfaches Ziehen möglich wäre.

Strommessung auf einer Leiterbahn

Vor dem Aufsetzen der Sonde auf Leiterbahnen mit hohen Spannungen immer den Zustand der Spitzenisolierung kontrollieren. Die Sondenspitze ist doppelt isoliert; unter der schwarzen Verschleißspitze mit hohem Schmelzpunkt befindet sich ein zweites helles Formteil, das den eigentlichen Sensor enthält. Sobald die hellfarbige Innenform zu sehen ist, darf die Sonde nicht mehr für den Einsatz mit Hochspannung verwendet werden. Es ist eine sorgfältige Prüfung erforderlich, da Schmutz oder starker Verschleiß dazu führen kann, dass der Farbunterschied nur schwer zu erkennen ist. Um die Lebensdauer der Spitze zu maximieren, vermeiden Sie das Reiben über raue Oberflächen.



Messungen an Geräten mit gefährlichen Spannungen dürfen nur von Technikern mit ausreichender Ausbildung und Erfahrung vorgenommen werden, die in der Lage sind Gefahren zu erkennen. Halten Sie stets die Hände weg von hohen Spannungen.

Die Sonde erfasst den Strom in einer Leiterbahn durch Messung des vom Strom erzeugten Magnetfeldes um die Leiterbahn. Die Sonde muss zentriert so über der Bahn gehalten werden, dass die breite Seite der Prüfspitze **quer** zur Leiterbahn liegt, während die Sonde so senkrecht wie möglich gehalten wird. Wenn das Ausgangssignal des Messgerätes positiv ist, dann fließt der Strom in der Leitung von + nach –, wie es durch die + und – Markierungen auf der Sonde angegeben wird. Da es sich nicht um einen magnetisch geschlossenen Kreis handelt, wird die Sonde auch von allen externen Magnetfeldern an der Messstelle beeinflusst. Es gibt viele Ursachen für solche Felder - das Erdmagnetfeld (kann durch Stahlaufbauten geändert werden), Streufelder von Induktivitäten oder Transformatoren, magnetisierte Komponenten (wie z. B. Schrauben) und sogar magnetische Materialien in den Elektroden oder die Anschlüsse von elektronischen Bauteilen. Daher ist es ziemlich schwierig genaue quantitative Messungen durchzuführen, es gibt jedoch viele Anwendungen, bei denen eine qualitative Messung alle notwendigen Informationen liefert.

Qualitative Messungen

Wichtige Einsatzgebiete für diese Sonde sind Schaltnetzteile, Endstufen oder andere Schaltungen, wo hohe Ströme fließen. Die Sonde wurde auf Wellenformtreue optimiert. Dadurch, dass die Bandbreite bis DC reicht, können Wellenformen sehr exakt abgebildet werden. Durch die hohe Lokalisierungsfähigkeit kann der genaue Pfad von Strömen untersucht werden.

So lässt sich zum Beispiel die Effektivität von Lade- oder Entkopplungskondensatoren untersuchen - ein gepulster Strom sollte zwischen Schaltelement bzw. Gleichrichter und Kondensator fließen (und von der anderen Seite aus sollte nur eine Gleichstromkomponente fließen). Restliche Schaltsignale, die durch unsachgemäßes Layout oder unzulängliche Bauteile verursacht werden, können leicht sichtbar gemacht werden.

Die Sonde ist besonders nützlich bei der Untersuchung des Stromflusses in Stromversorgungs- und Masseflächen. Es ist oft der Fall, dass bei einer Massefläche, die auseinander läuft und dann wieder zusammengeführt wird (z. B. um eine Gruppe von Bauteilen), ein unerwarteter Kreisstrom um die resultierende Schleife induziert werden kann. Sie kann auch verwendet werden, um Strahlungen und Querkopplungen zwischen Schaltkreisen aufzuzeigen, sowie um die ordnungsgemäße Abschirmung in symmetrisch ausgeführten Schaltungen zu prüfen.

Eine weitere Anwendung ist die Suche nach Kurzschlüssen auf einer Leiterplatte, bei denen der Strom von der Quelle bis zu dem Punkt, wo er durch den Fehler abgeleitet wird, verfolgt werden kann. Vergleicht man das Signal bei ein- und ausgeschaltetem Strom, kann man zwischen Fehlerstrom und externen Magnetfeldern unterscheiden.

Strömungen können nicht nur in Leiterbahnen gemessen werden, sondern auch in Bauteilanschlüssen, einschließlich der Anschlüsse von integrierten Schaltkreisen. Achten Sie darauf, dass sehr heiße Komponenten wie Drahtwiderstände vermieden werden, da diese die Temperaturgrenze der Sondenspitze überschreiten können.

Kalibrierung für quantitative Messungen an Leiterbahnen

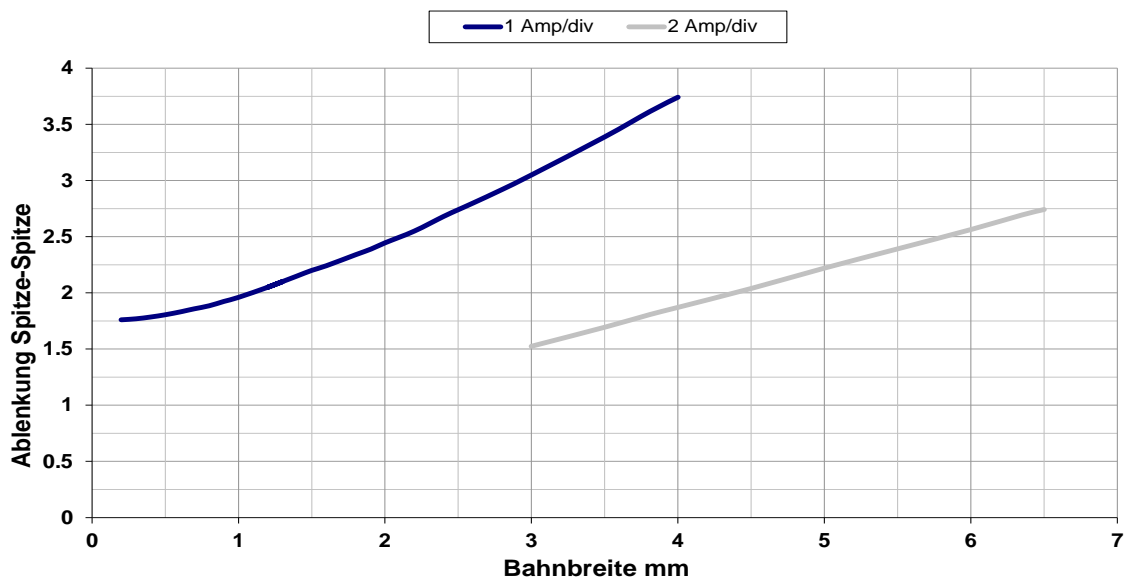
Die Beziehung zwischen der auf dem Oszilloskop angezeigten Ausgangsspannung und dem tatsächlichen Strom in der Leiterbahn hängt von einem komplexen Zusammenspiel zwischen der Breite der Leiterbahn, der Breite des Sensors im Inneren der Stromsonde und der Dicke der Sondenisolierung zwischen Leiterbahn und Sensor ab. Für quantitative Messungen muss die Empfindlichkeitseinstellung an der Steuereinheit auf die jeweilige Leiterbahnbreite eingestellt werden. Je breiter die Leiterbahn, desto geringer ist die Feldstärke für einen gegebenen Strom, so dass die Verstärkung höher eingestellt werden muss, um eine Empfindlichkeit von 1A/V zu erhalten. Bei Bahnbreiten über ca. 3,5 mm muss die Sonde auf eine Sensitivität von 2A/V eingestellt werden.

Dieses Verhältnis zwischen Bahnbreite und Verstärkung wird durch die unten dargestellte Kalibrierkurve verdeutlicht. Zur Kalibrierung muss die Sonde in die Kalibrieröffnung des Steuergeräts gesteckt und ein Kalibrierstrom angelegt werden. Der Empfindlichkeitsregler wird dann so eingestellt, dass die jeweilige Ausgangsspannung (wie auf dem Oszilloskop zu sehen) der jeweiligen Leiterbahnbreite entspricht. Der Kalibrator kann entweder ein Rechteck- oder ein Gleichstromsignal erzeugen. Zur Vermeidung von Problemen, die durch den Einfluss des Erdmagnetfeldes und der lokalen magnetischen Umgebung verursacht werden, wird die Kalibrierung in der Regel unter Verwendung des Rechtecksignals durchgeführt, indem Sie den Schalter auf die Innenstellung (⚡) schieben. Das Signal ist ein Rechtecksignal mit etwa 1 kHz. Die Einstellung der Amplitude bezieht sich auf die Spitze-Spitze-Amplitude zwischen den flachen Abschnitten des Rechtecksignals unter Nichtbeachtung jedweder Transienten.

Das Kalibrierverfahren im Einzelnen

Entscheiden Sie zuerst welche Leiterbahnbreite für die kalibrierte Messung verwendet werden soll. Schauen Sie dann im Diagramm die Kalibrierabweichung für die jeweilige Bahnbreite nach und stellen Sie das Oszilloskop auf die entsprechende Empfindlichkeit ein (1 Volt/div für schmale Bahnbreiten oder 0,5 Volt/div für breitere Bahnen).

I-prober 520 PCB verstärkungseinstellung



Stecken Sie die Sonde in die Kalibrieröffnung und schalten Sie das Kalibriersignal ein, indem Sie den CALIBRATOR Schalter auf die Stellung AC schieben (in der Mitte des Steuergeräts mit ↓ gekennzeichnet). Optimieren Sie die Ausrichtung der Sonde in der Kalibrieröffnung, um die maximale Signalamplitude auf dem Oszilloskop zu erhalten und stellen Sie dann die Kurve mit dem Regler „Trace Position“ auf die Bildschirmmitte ein.

Stellen Sie den Regler „Sensitivity“ so ein, dass die Spitze-Spitze-Auslenkung (ohne Überschwingen) dem Wert auf der Kalibrierkurve für die jeweilige Bahnbreite entspricht.

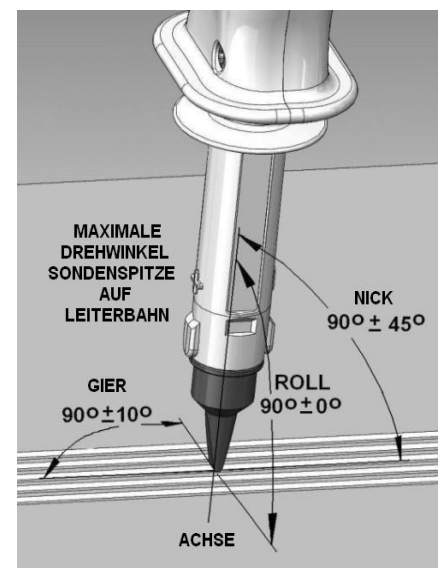
Schalten Sie das Kalibriersignal wieder aus, indem Sie den Schalter CALIBRATOR auf die Mittelstellung schieben.

Bei Bahnen, die breiter als 6,5 mm sind, kann davon ausgegangen werden, dass sich der Messwert umgekehrt proportional zur Spurweite plus 2,2 mm verhält. Alternativ können Sie auch auf den Magnetfeldmodus schalten und das Feld in Ampere pro Meter messen. Dieser Wert kann in Ampere umgewandelt werden, indem davon ausgegangen wird, dass die Bahnlänge die doppelte Breite der Bahn plus 4,4 mm beträgt (dieser Wert berücksichtigt die Tatsache, dass sich der Sensor 0,7 mm über der Bahn befindet). Hierbei wird weiter vorausgesetzt, dass die Bahn im Verhältnis zur Breite recht lang ist und weitgehend einheitlich verläuft.

Praktische Aspekte der quantitativen Messung

Um den Strom in einer Bahn genau zu messen, muss die Sonde in zwei Dimensionen genau vertikal und exakt über der Bahnmitte so positioniert werden, dass sich die längere Spitzenseite im rechten Winkel zur Leiterbahn befindet.

Die Abbildung zeigt die korrekte Ausrichtung. Wenn die Sonde nicht im rechten Winkel über der Bahn (Gierwinkel) ausgerichtet ist, variiert das Ausgangssignal nach dem Sinusgesetz, d. h. kleine Fehler sind tolerierbar. Auch das Drehen der Sonde um die abgerundete Spitze (Nickwinkel) führt nicht zu großen Fehlern. Kritisch sind die Zentrierung über der Bahn und die vertikale Bewegung von Seite zu Seite (Rollwinkel), so dass die Sonde flach zur Bahn steht und nicht an der Kante der Spitze gekippt wird.



Versuchen Sie nicht die Sondenspitze mit den Fingern zu manipulieren, es sei denn, Sie sind sicher, dass keine gefährlichen Spannungen vorhanden sind.

Sofern keine divergenten Fremdfelder vorhanden sind, ergibt sich die korrekte Position aus dem größten Ausgangssignal. In einer Umgebung mit vielen magnetischen Materialien kann das lokale Magnetfeld jedoch in Größe und Richtung vom normalen Nord-Süd-Feld der Erde erheblich abweichen.

Infolgedessen können auch geringe Änderungen der Sondenausrichtung einen signifikanten Einfluss auf die Ausgangsspannung haben. Um diesen Effekt so gering wie möglich zu halten, die Sonde an der gewünschten Stelle auf der Leiterbahn aufsetzen, den Strom ausschalten und den Nullpunkt setzen. Dann den Strom wieder einschalten und dessen Größe beobachten. Diese Probleme lassen sich weitgehend vermeiden, wenn eine AC-Messung möglich ist.

Bei der Messung von kleinen Strömen (klein in Bezug auf die Wirkung des magnetischen Feldes der lokalen Umgebung) ist es hilfreich, wenn die Sonde im Raum fixiert ist (durch ein Stativ oder ähnliches Gerät) und das zu testende Signal unter der stationären Sonde verschoben wird.

Beachten Sie, dass das obige Kalibrierverfahren nur dann genaue Resultate ergibt, wenn die Messung auf einer isolierten Leiterbahn mit entsprechendem Abstand zu anderen Strömen stattfindet. Benachbarte, stromführende Leiterbahnen (auch solche auf der anderen Platinsenseite) haben einen erheblichen Einfluss auf die Messung. Um ein quantitatives Ergebnis in einem solchen Fall zu erzielen, ist eine grundlegende mathematische Analyse notwendig.

Wartung

Die Hersteller bzw. ihre ausländischen Vertretungen bieten einen Reparatordienst für fehlerhafte Geräte an. Falls Anwender Wartungsarbeiten selbst durchführen möchten, sollten sie nur geschultes Personal damit beauftragen. Für diese Arbeiten sollte das Servicehandbuch zu Hilfe genommen werden, das direkt beim Hersteller der Geräte oder dessen Vertretungen bezogen werden kann.

Reinigung

Verwenden Sie zur Reinigung des Geräts ein nur leicht mit Wasser oder einem milden Reinigungsmittel angefeuchtetes Tuch.

ACHTUNG! ZUR VERMEIDUNG VON STROMSCHLÄGEN BZW. BESCHÄDIGUNGEN DES GERÄTS DARF KEIN WASSER IN DAS GEHÄUSE GELANGEN. DAS GERÄT NICHT MIT LÖSUNGSMITTELN REINIGEN, UM SCHÄDEN AM GEHÄUSE ZU VERMEIDEN.

Isolierung der Spitze

Wenn die Isolation der Sondenspitze abgenutzt oder beschädigt ist, so dass die innere Schicht der Isolierung durchscheint, wenden Sie sich bitte an den Hersteller oder dessen Vertretungen im Ausland.

Kalibrierung

Der grundlegende Kalibrierungsparameter ist das Magnetfeld. Die Kalibrierung erfordert ein kalibriertes Feld mittels einer Präzisions-Helmholtz-Spule. Der Hersteller kann eine entsprechende Neukalibrierung für den Fall anbieten, dass eine Kalibrierung vor Ort nicht möglich ist.

Wenn jedoch lediglich eine Stromleiterkalibrierung (mit dem Ringkern-Aufsatz) erforderlich ist, kann dies mit Hilfe eines handelsüblichen DMM-Kalibrators geschehen. Die Kalibrierung erfolgt mit einer 50 oder 60 Hz Sinuswelle. Achten Sie darauf, dass die Positionierung des Kabels im Ringkern reproduzierbar ist, d. h. in der Regel gegenüber der Sondenspitze und so weit wie möglich nach hinten.

Webversion

Support erhalten Sie unter www.aimtti.com.

Introduzione

L'Aim I-prober 520 è un dispositivo esclusivo in grado di controllare e misurare la corrente nelle tracce dei circuiti stampati e in altri punti in cui non è possibile utilizzare le tradizionali sonde di corrente. Si tratta di una sonda di corrente "posizionale", che ricava i valori di corrente dal campo magnetico in un punto specifico rispetto al conduttore che convoglia la corrente. Consente di monitorare e misurare facilmente la corrente posizionando la punta isolata della sonda su una traccia di circuito stampato, un piedino di un componente o un piano di massa.

Viene anche fornito un attacco toroide "clip-on" che, all'occorrenza, trasforma la sonda in una più tradizionale sonda di corrente "a circuito magnetico chiuso".

Questa sonda utilizza un metodo di rilevamento noto generalmente come magnetometro rilevatore di flusso e misura il campo magnetico che circonda la corrente elettrica. Il magnetometro è composto da una piccola bobina di filo che circonda un nucleo di materiale ad alta tecnologia con speciali caratteristiche magnetiche. Una corrente di eccitazione (a circa 40 MHz) viene convogliata attraverso la bobina, che umagnetizza il nucleo in maniera alternata in direzioni opposte. In assenza di campo magnetico esterno, la magnetizzazione è simmetrica. Quando viene applicato un campo esterno, l'asimmetria risultante viene rilevata da un circuito di feedback che applica una corrente opposta alla bobina, al fine di ripristinare il campo della rete su zero. La tensione di uscita è proporzionale a questa corrente opposta, quindi alla grandezza del campo.

La caratteristica esclusiva di questa sonda è la dimensione molto ridotta del magnetometro, che consente la misurazione dei campi in una posizione precisa dello spazio; consente inoltre di estendere la larghezza di banda del segnale da CC fino a 5 MHz. Vengono anche fornite due configurazioni a larghezza di banda inferiore, più silenziose.

Diversamente dalle sonde basate su trasformatore, che sono solo collegate alla CA oppure richiedono un meccanismo separato (come un dispositivo ad effetto Hall) per rilevare anche valori CC, questa sonda utilizza lo stesso meccanismo di misurazione per tutte le frequenze della larghezza di banda.

È destinata all'utilizzo con un oscilloscopio con impedenza di uscita standard da 1 MΩ.

Sonda di corrente

Questo strumento appartiene alla categoria di sicurezza III secondo la classificazione CEI ed è stato progettato per rispettare i requisiti generali della norma EN61010-1 (Prescrizioni di sicurezza per apparecchi elettrici di misura, controllo e per utilizzo in laboratorio) e la sottoparte EN61010-031 applicate a questa forma particolare di sonda di corrente.

Questo strumento è stato testato in conformità con le norme EN61010-1 ed EN61010-031 ed è stato consegnato in condizioni di sicurezza. Il manuale dello strumento contiene importanti informazioni e avvisi che devono essere osservati dall'utente per assicurare un funzionamento in sicurezza e per mantenere lo strumento in condizioni di sicurezza.

Questo strumento è stato progettato per uso ambienti chiusi con grado di inquinamento 2 e fascia di temperatura compresa fra 5°C e 40°C, con 20% - 80% UR (senza condensa). Occasionalmente, può essere sottoposto a temperature comprese tra +5° e -10°C senza conseguenze negative sulla sicurezza. Non utilizzare lo strumento in presenza di condensa.

AVVISI e AVVERTENZE

- L'uso di questo strumento in modalità non indicate in queste istruzioni può compromettere la sicurezza intrinseca dello strumento stesso.
- La sonda può essere usata solo da personale qualificato che è a conoscenza dei rischi associati all'utilizzo della sonda sopra o vicino a conduttori nudi attraversati da tensioni pericolose, ovvero superiori a 70 Vcc o superiori a 33 V rms o a picchi di 46,7 V. La tensione massima dei conduttori nudi sui quali può essere utilizzata è 300 Vrms CAT II o 600 Vrms CAT I.
- La temperatura massima di una superficie sulla quale è possibile appoggiare la punta di misurazione della sonda per brevi periodi di tempo (2 min. Max) è 150°C. Non esporre altre parti della sonda ad alte temperature.
- Collegare l'adattatore di corrente a CA al contenitore e il cavo BNC di uscita del segnale all'oscilloscopio prima di mettere a contatto la sonda con il segnale da misurare. Utilizzare solo l'adattatore di corrente a CA fornito e usare sempre un oscilloscopio con il telaio collegato alla messa a terra.
- Ispezionare la punta della sonda, l'alloggiamento e il cablaggio alla ricerca di segni di usura e danni prima di ogni utilizzo. La sicurezza dipende interamente dall'integrità dell'isolamento della parte dell'asta della sonda oltre il segno di sicurezza in rilievo, in particolare della punta della sonda.

NON UTILIZZARE LA SONDA SE UNA PARTE QUALSIASI È DANNEGGIATA

Vedere la sezione Manutenzione per i dettagli sulla restituzione di sonde danneggiate.

Non smontare la sonda o il contenitore in quanto non sono presenti parti soggette a manutenzione da parte dell'utente.

- Non tenere la sonda oltre il salvadito tra il corpo e l'asta della sonda quando si effettua una misurazione su un conduttore a tensioni pericolose e non permettere che tensioni pericolose si avvicinino al salvadito oltre il segno di sicurezza sull'asta della sonda. Vedere la figura di fronte.
- Prima di collegare o scollegare il gruppo toroide da un cavo nudo a tensioni pericolose, assicurarsi che il conduttore non sia sotto tensione.
- Non usare la sonda in presenza di condensa o umidità. Non bagnare lo strumento quando lo si pulisce.

Adattatore di corrente CA

L'adattatore/caricatore fornito ha una tensione di ingresso universale di 100-240 VCA, 50/60 Hz. È un dispositivo di classe II (a doppio isolamento), approvato dalle norme EN 60950-1 (2001) e UL 60950 (marchio UL E245390).

Simboli

I seguenti simboli vengono usati sulla sonda di corrente e in questo manuale.



AVVISO – Rischio di folgorazione.



AVVERTENZA – Fare riferimento alla documentazione allegata (questo manuale). L'inosservanza di queste precauzioni può provocare danni allo strumento.



Non applicare intorno a o rimuovere da conduttori sotto tensione pericolosi.



Applicazione a conduttori sotto tensione pericolosi consentita.



Protetto da doppio isolamento o isolamento rinforzato.



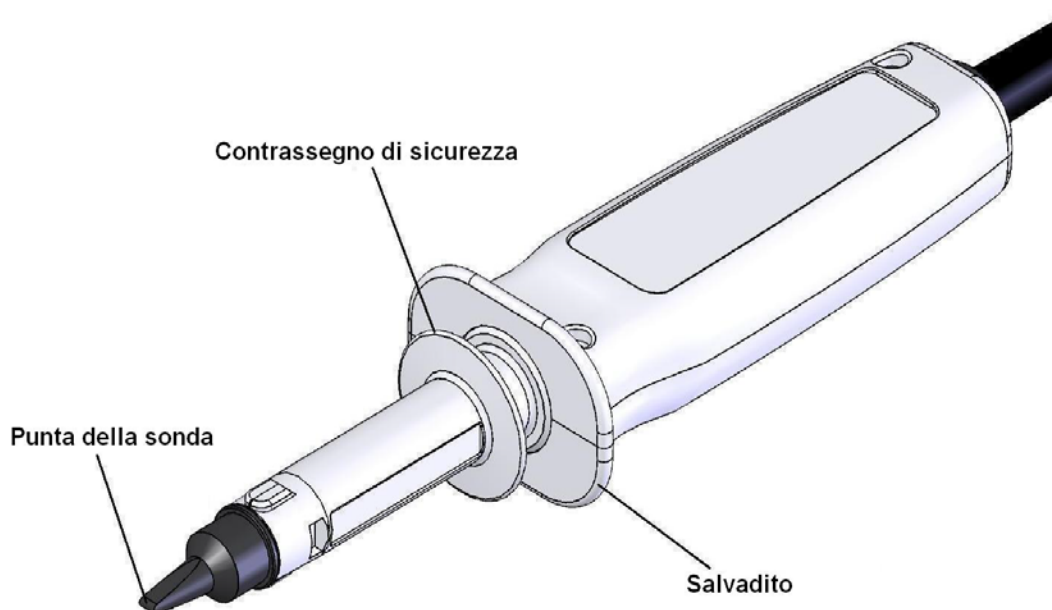
corrente alternata (ca).



corrente continua (cc).

CAT II Indica la categoria di misurazione II; la tensione massima a terra per le misurazioni di CAT II è generalmente indicata con il simbolo. La categoria II si applica alle misurazioni effettuate sui circuiti direttamente collegati alla rete di bassa tensione, ad esempio apparecchi e dispositivi portatili. La CAT II **non** include le misurazioni sui circuiti a livello di distribuzione, come schede di distribuzione, interruttori di circuito, barre collettrici ecc. o installazioni industriali, tutte classificate come CAT III.

CAT I Indica la categoria di misurazione I; la tensione massima a terra per le misurazioni di CAT I è generalmente indicata con il simbolo. La categoria I si applica alle misurazioni su circuiti non collegati direttamente alla rete di bassa tensione. Questa categoria comprende i circuiti secondari separati dai circuiti della rete principale da un trasformatore e i circuiti derivati dalla rete principale nei quali sono state adottate misure per ridurre i transitori sulle tensioni a valori inferiori idonei. La sovratensione dei transitori massima consentita per la tensione da 600 V di CAT I di questa sonda è 2500 V.



Installazione

Tensione d'esercizio della rete

Questo strumento viene fornito con un adattatore di corrente CA con gamma di tensioni di ingresso universale che opera a un'alimentazione di rete nominale di 115 V o 230 V a 50 Hz o 60 Hz senza regolazioni. Verificare che l'alimentazione locale rispetti questi valori di ingresso CA.

Montare sull'adattatore il connettore di alimentazione nazionale previsto facendolo scorrere sulle scanalature finché non si blocca.

L'unità può essere usata solo con l'adattatore di corrente fornito.

Scollegare l'adattatore di corrente dalla rete quando l'unità non è in uso.

L'adattatore CA è un dispositivo della classe di sicurezza II (a doppio isolamento) che fornisce 5,2 VCC a un massimo di 1 ampere. Il riferimento di messa a terra per il sistema di misurazione è il collegamento a terra effettuato sull'oscilloscopio. Utilizzare sempre un oscilloscopio con telaio collegato a terra in modo che la parte esterna del BNC sia collegata a terra.

Considerazioni generali sull'installazione

Se usata con l'attacco toroide (per la corrente in un cavo), la sonda viene sensibilmente influenzata da tutti i campi magnetici esterni al punto di misurazione, non solo dal campo magnetico della Terra (che può essere modificato da carpenteria in acciaio) ma anche dai campi di perdita provenienti da induttori o trasformatori, componenti magnetizzati ecc. La sezione Funzionamento contiene annotazioni utili su come ottenere le migliori misurazioni in termini qualitativi e quantitativi nelle varie modalità di funzionamento in presenza di tali campi magnetici dispersi.

Collegamenti

Collegamento all'alimentazione

Montare il connettore di alimentazione nazionale previsto all'adattatore fornito facendolo scorrere sulle scanalature finché non si blocca e collegare l'adattatore all'alimentazione CA. Collegare il cavo in uscita dall'adattatore alla presa di alimentazione della centralina, contrassegnato con la dicitura DC IN.

L'unità può essere usata solo con l'adattatore di corrente fornito.

Segnale di uscita

Collegare il connettore BNC sul cavo fisso in uscita dalla centralina (contrassegnato con la dicitura OUTPUT) a un ingresso dell'oscilloscopio da 1M Ω . Questo cavo è sensibile alla reattanza capacitiva del carico e non deve essere allungato se si desidera ottenere una riproduzione precisa della forma d'onda. Utilizzare sempre un oscilloscopio con telaio collegato a terra in modo che la parte esterna del BNC sia collegata a terra. Effettuare questo collegamento prima di utilizzare la sonda con tensioni elevate.

La sensibilità dell'asse Y dell'oscilloscopio può essere regolata per adattarla all'ampiezza del campo analizzato. L'accoppiamento CA può essere usato per eliminare l'effetto del campo magnetico della Terra o altri campi fissi dal materiale permanentemente magnetizzato, purché non siano troppo grandi da sovraccaricare la sonda.

Collegamenti di misurazione

Il cavo tra la sonda e la centralina è vincolato a entrambe le estremità e non può essere sostituito dall'utente. Prestare attenzione e assicurarsi che non entri in contatto con oggetti roventi.

La misurazione della corrente avviene in maniera efficace senza contatto: non viene eseguito alcun collegamento galvanico al conduttore che trasporta la corrente sondato. La punta della sonda e l'asta della sonda oltre la barriera di sicurezza sono doppiamente isolati; è possibile sondare con sicurezza i conduttori ad alte tensioni rispetto alla messa a terra fino ai limiti previsti nella Specifica. Tuttavia, è obbligatorio che l'isolamento della punta della sonda non venga danneggiato da abrasione o contatto con superfici roventi superiori ai 150°C.



Leggere e capire la sezione Sicurezza di questo manuale prima dell'uso.

Le misurazioni su apparecchi esposti a tensioni pericolose devono essere effettuate solo da tecnici competenti ed esperti in grado di riconoscere i rischi che comportano.

Ispezionare sempre la punta della sonda per individuare segni di usura prima di utilizzarla su conduttori a tensioni pericolose.

Comandi

I seguenti comandi sono montati sulla centralina.

Interruttore di modalità

Questo interruttore a tre posizioni regola il guadagno della sonda per ottenere risultati calibrati nelle tre modalità operative principali:-

FIELD (campo)	Misurazione del campo magnetico.
PCB TRACK	Misurazione della corrente in una traccia del circuito stampato sotto la punta della sonda.
WIRE (filo)	Misurazione della corrente in un cavo o filo, unitamente all'attacco toroide.

Sensibilità

Questo comando è attivo solo nella posizione PCB TRACK e viene usato per regolare il guadagno in funzione della larghezza fisica della traccia misurata.

Posizione della traccia

Questo comando regola il DC offset nel segnale di uscita per compensare i campi come i campi magnetici della Terra. Alle alte sensibilità questo comando dispone di un range molto più ampio rispetto al comando di posizione Y della maggior parte degli oscilloscopi.

Interruttore della larghezza di banda

Questo interruttore a tre posizioni consente all'utente di scegliere il miglior compromesso tra larghezza di banda del segnale e rumorosità. Le tre larghezze di banda sono 5 MHz, 500 kHz e 2 Hz. La posizione 2 Hz elimina quasi completamente qualsiasi effetto visibile dei campi di frequenza della rete a 50 o 60 Hz; occorre però tenere presente che la sonda potrebbe venire sovraccaricata in modo invisibile da un campo di grandi dimensioni a frequenze superiori rispetto al limite della larghezza di banda.

Interruttore calibratore

Quando la sonda è inserita nel foro di calibrazione finché non entra in contatto con il circuito stampato, è soggetta al campo proveniente da una corrente nota. Questo interruttore a tre posizioni consente di selezionare la corrente CA (onda quadra da 1 kHz) o CC, con la posizione centrale che indica lo spegnimento. Di seguito viene spiegata la procedura per calibrare la sensibilità della sonda per una larghezza di una traccia specifica.

La corrente di calibrazione deve essere disattivata quando non in uso.

Indicatore di sovraccarico

L'indicatore di sovraccarico si accende se il segnale supera il livello di taglio dell'amplificatore di uscita o se il campo magnetico è talmente grande da saturare il sistema e far apparire il segnale di uscita all'interno del range operativo. In particolare, è necessario monitorare questo indicatore se viene usato l'accoppiamento CA sull'oscilloscopio poiché è ancora possibile che i campi CC sovraccarichino la sonda.

Misurazioni del campo magnetico

Il campo magnetico viene misurato lungo la dimensione maggiore della punta della sonda. Il fattore di scala è 250 μT (micro-Tesla) per Volt, quindi la sequenza di configurazione normale dell'oscilloscopio risulta essere 250 $\mu\text{T}/\text{div}$ a 1 V/div, 500 $\mu\text{T}/\text{div}$ a 2 V/div e 1,25 mT/div a 5 V/div. Le decine più sensibili presentano il fattore di scala previsto. 250 μT equivale a 2,5 Gauss.

Diversamente, il fattore di scala può essere considerato come 200 ampere al metro per volt, quindi i fattori di scala corrispondenti sono 200 A/m/div, 400 A/m/div e 1000 A/m/div.

In ogni caso, la tensione di uscita massima è $\pm 10\text{V}$, corrispondente al campo di lavoro massimo di $\pm 2,5\text{mT}$ o $\pm 2000\text{A/m}$.

Se la sonda viene tenuta con la punta verso il basso (il manico verso l'alto) con il segno + del corpo rivolto verso l'utente, orientato per dare una tensione di uscita positiva, le linee di flusso passano da un polo nord a sinistra a un polo sud a destra. Nel campo magnetico della Terra questo significa che il nord geografico si trova a destra.

Note di applicazione per le misurazioni del campo magnetico

A causa delle dimensioni molto ridotte della punta, la sonda è in grado di analizzare la variazione dei campi magnetici in zone molto localizzate. È in grado di analizzare i campi intorno agli induttori e i gap presenti nei loro nuclei, che possono talvolta causare diafonie impreviste in un circuito elettronico. È anche in grado di mostrare i campi che passano attraverso feritoie e fori nell'involucro di un'apparecchiatura, con frequenti conseguenti problemi di compatibilità elettromagnetica. La sonda presenta una larghezza di banda che copre la maggior parte delle forme d'onda degli alimentatori a commutazione.

La bassa rumorosità del sistema lo rende in grado di misurare campi molto più piccoli rispetto al campo della Terra che, in una configurazione ad elevata sensibilità dell'oscilloscopio, consente di rilevare la traccia anche molto al di fuori dello schermo. La regolazione TRACE POSITION sulla centralina offre un range molto più ampio rispetto al tipico controllo a Y di un oscilloscopio. In molti casi, è possibile utilizzare l'accoppiamento CA dell'oscilloscopio, che riduce i disturbi se la distorsione della bassa frequenza della forma d'onda è accettabile.

Misurazioni della corrente in un filo

Viene fornito un attacco toroide che consente di misurare la corrente che scorre in un filo o in un cavo. L'attacco contiene un nucleo magnetico che concentra il campo dalla parte intorno al cavo al sensore della sonda di corrente. Si aggancia meccanicamente alla parte anteriore della sonda per mantenere il rapporto corretto tra lo spazio nell'attacco toroide e il sensore nella punta della sonda.

Collegamento del toroide al cavo



Prima di collegare il gruppo toroide al cavo da misurare, assicurarsi dell'assenza di rischio di folgorazione per l'operatore, verificando che il cavo sia opportunamente isolato per la tensione che sta trasportando o scollegandolo dall'alimentazione.

Passare il cavo attraverso l'estremità aperta delle ganasce dell'alloggiamento toroide, quindi allineare la sonda in modo che le grandi protuberanze nella parte anteriore siano allineate con gli spazi dell'alloggiamento e premerle in linea retta. Le ganasce dell'attacco vengono allontanate durante il passaggio della sonda fino a quando si bloccano (segnalato da un clic) sulle guide di posizionamento. Assicurarsi che le due parti siano ben agganciate ruotando leggermente e premendo la sonda. Per risultati calibrati, fare in modo che il cavo si trovi nella parte posteriore del foro del toroide, lontano dalla punta della sonda.

Selezionare la posizione Wire (cavo) nell'interruttore MODE (Modalità) della centralina. In questo modo viene impostata una sensibilità calibrata di 1 Volt per ampere. Impostare la sensibilità dell'asse Y dell'oscilloscopio desiderata e selezionare un'impostazione BANDWIDTH (Larghezza di banda) idonea.

Nota: la calibrazione 1 V/A è applicabile solo con un set corretto di sonda e toroide. Gli attacchi toroidi non sono intercambiabili tra le sonde. Controllare che i numeri di matricola della sonda e del toroide corrispondano per assicurare che la coppia utilizzata sia calibrata.

Note operative per l'utilizzo dell'attacco toroide

Il circuito magnetico del toroide riduce la sensibilità ai campi magnetici esterni (incluso quello della Terra) di un fattore pari a circa cinque, quindi la misurazione è molto meno influenzata dal posizionamento della sonda. Tuttavia, per una miglior coerenza di misurazione, accertarsi che la sonda si trovi in una posizione fissa lontano da forti campi magnetici locali.

Si può ottenere maggiore sensibilità avvolgendo varie volte il filo intorno al toroide. Il conseguente aumento di reattanza induttiva di inserimento influenza leggermente la risposta di frequenza e può interessare alcuni circuiti ad alta frequenza, altrimenti il fattore di scala viene moltiplicato per il numero di avvolgimenti del filo.

Quando si misura la CC, la misurazione può essere leggermente influenzata dall'isteresi e dal materiale magnetico del toroide. Per una maggiore precisione, applicare prima la corrente nella direzione desiderata per pre-caricare il circuito magnetico, quindi togliere la corrente e regolare il comando TRACE POSITION per impostare il punto zero sull'oscilloscopio, poi erogare la corrente per la misurazione. Questo punto zero non cambia molto dato che la corrente varia, a patto che rimanga nella stessa direzione. Tuttavia, se la polarità della corrente viene invertita, lo zero deve essere reimpostato. Quando

si misura la corrente alternata, questo effetto è trascurabile, ma occorre tenere presente che quando l'erogazione della corrente viene interrotta, il punto zero può provocare un leggero sfasamento. I segni di polarità sul corpo della sonda sono il riferimento per l'indicazione della direzione della corrente: l'uscita verso lo strumento di misurazione è positiva quando la corrente scorre dal lato con il segno + al lato con il segno -. Sono presenti segni di polarità anche sull'attacco toroide, ma servono solo per garantire l'uniformità del collegamento; l'inversione del toroide non inverte la polarità.

Rimozione del toroide



Prima di toccare il toroide, assicurarsi dell'assenza di tensioni pericolose.

Per rimuovere il toroide, tenere sia il toroide che il corpo della sonda e avvolgerli leggermente di 30° allontanandoli l'uno dall'altro. L'azione di avvolgimento utilizza le alette sulla parte anteriore della sonda per allontanare i lati dell'alloggiamento del toroide, agevolando sensibilmente la rimozione rispetto alla sola azione di tiro.

Misurazione della corrente in una traccia di circuito stampato

Prima di toccare la sonda su tracce ad alta tensione, controllare sempre le condizioni dell'isolamento della punta. La punta della sonda è a doppio isolamento; sotto la parte sagomata nera ad alto punto di fusione che indica l'usura della punta si trova un secondo elemento sagomato chiaro che contiene il sensore vero e proprio. Se la parte sagomata chiara è visibile, la sonda non è più sicura in presenza di alte tensioni. È necessaria un'attenta verifica estetica poiché lo sporco o i segni di usura possono rendere la differenza di colore difficile da notare. Per ottimizzare la vita utile della punta, evitare di passarla sopra superfici ruvide.



Le misurazioni su apparecchi esposti a tensioni pericolose devono essere effettuate solo da tecnici competenti ed esperti in grado di riconoscere i rischi che comportano. Tenere sempre le mani lontane dalle alte tensioni.

La sonda misura la corrente in una traccia del circuito stampato misurando il campo magnetico intorno alla traccia causato dalla corrente. La sonda deve essere tenuta in posizione centrale sulla traccia, con la parte lunga della punta sopra la traccia e il corpo della sonda il più perpendicolare possibile alla traccia. Quando l'uscita è positiva sullo strumento di misurazione, la corrente scorre dal polo + al polo -, indicati dai segni + e - sul corpo della sonda. Poiché non si tratta di un circuito magneticamente chiuso, la sonda viene anche influenzata da tutti i campi magnetici esterni al punto di misurazione. Questi campi hanno molte cause: il campo magnetico della Terra, che può essere modificato da carpenterie metalliche, campi di perdita provenienti da induttori o trasformatori, componenti magnetizzati, come le viti, e anche materiali magnetici negli elettrodi o terminazioni di componenti elettrici. Di conseguenza, è piuttosto difficile effettuare misure quantitative precise, ma esistono molte applicazioni in cui le misurazioni qualitative danno tutte le informazioni necessarie.

Misurazioni qualitative

Le principali aree di applicazione di questa sonda sono gli alimentatori a commutazione, gli amplificatori di potenza o altri circuiti in cui scorre alta corrente. La sonda è ottimizzata per la fedeltà alle forme d'onda e per il fatto che misura anche la CC consente di visualizzare forme d'onda precise. La sua natura molto localizzata consente un'analisi dettagliata dei percorsi seguiti dalle correnti.

Ad esempio, può essere usata per analizzare l'efficienza del serbatoio o dei condensatori di bypass: una corrente a impulsi deve scorrere tra il dispositivo di commutazione o il rettificatore e il condensatore e solo un componente a CC deve scorrere dall'altro lato del raccordo. I segnali di commutazione residui, causati dall'errata disposizione o da componenti inadeguati, sono facilmente visibili.

La sonda può essere particolarmente utile nell'analisi del flusso della corrente in piani di terra e piani di alimentazione. Si rileva spesso che se un piano di terra viene diviso e successivamente riunito, probabilmente intorno a un gruppo di componenti, una corrente di circolazione imprevista può essere indotta intorno all'anello che viene creato. Può anche essere usata per mostrare le radiazioni e l'accoppiamento tra i circuiti e per controllare la corretta cancellazione nei circuiti in cui deve essere bilanciata.

Un'altra applicazione è nella ricerca dei cortocircuiti in un circuito stampato, dove la corrente può essere seguita dall'origine al punto in cui viene deviata verso il difetto. Confrontando il segnale con la corrente inserita e disinserita è possibile distinguere tra una corrente di errore e campi magnetici esterni.

Le correnti possono essere misurate non solo nelle tracce del circuito stampato, ma anche nei terminali del componente, inclusi i terminali dei circuiti integrati. Evitare l'utilizzo di componenti roventi, come le resistenze a filo, che possono superare il valore massimo di temperatura della punta della sonda.

Calibrazione per misurazioni quantitative sulle tracce del circuito stampato

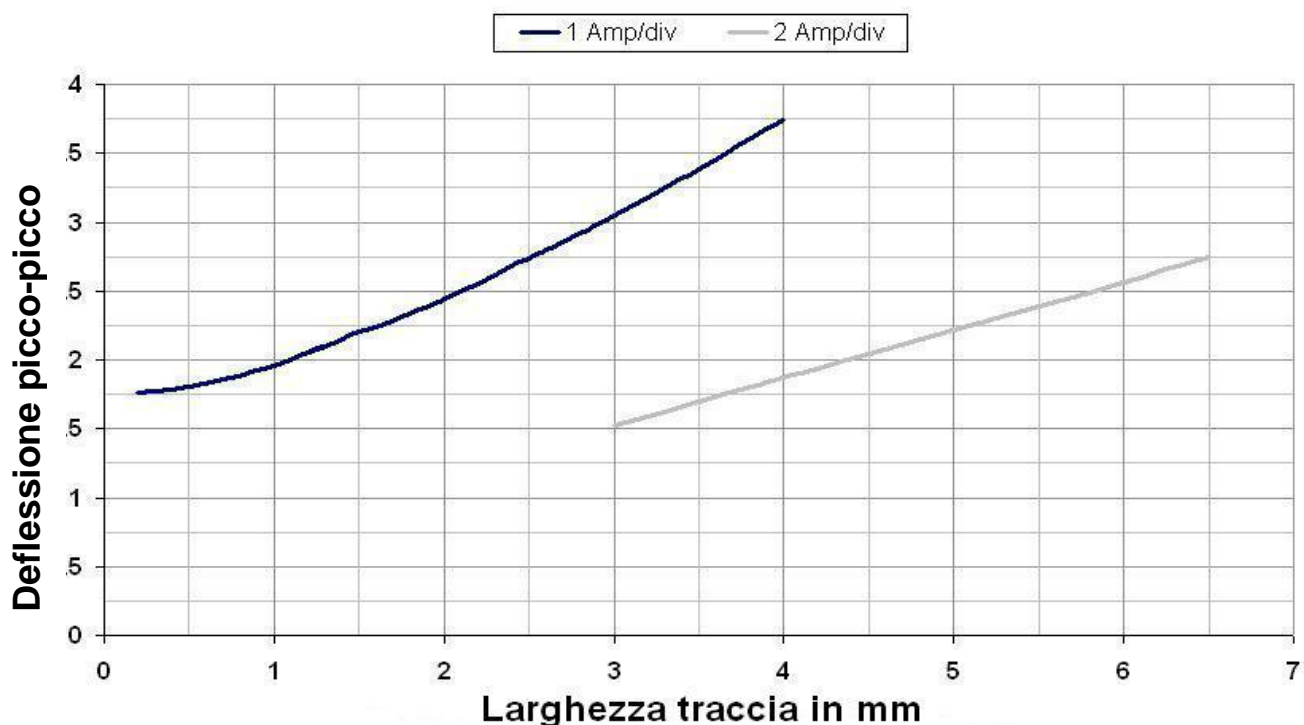
La relazione tra la tensione di uscita nell'oscilloscopio e la corrente effettiva nella traccia del circuito stampato dipende dal complesso rapporto tra la larghezza della traccia, quella del sensore all'interno della sonda di corrente e lo spessore dell'isolamento della sonda tra la traccia e il sensore. Per ottenere misurazioni quantitative, la regolazione della sensibilità nella centralina deve essere configurata per adattarsi alla larghezza della traccia misurata. Più larga è la traccia, più bassa è la resistenza del campo per una corrente specifica, quindi maggiore è il guadagno necessario per ottenere una sensibilità di 1 A/V. Con una larghezza superiore a circa 3,5 mm, il sistema deve essere regolato per una sensibilità di 2 A/V.

Questo rapporto tra la larghezza della traccia e il guadagno richiesto viene indicato nel seguente grafico di calibrazione. La procedura di calibrazione presuppone il posizionamento della sonda nel foro di calibrazione nella centralina e l'applicazione della corrente di calibrazione. Il controllo della sensibilità viene quindi regolato per ottenere la specifica tensione di uscita (misurata dalla deflessione della traccia dell'oscilloscopio) idonea per la larghezza della traccia rilevata. Il calibratore può produrre un'onda quadra o una corrente di calibrazione CC. Per evitare difficoltà causate dall'influenza del campo magnetico terrestre e dall'ambiente magnetico locale, la calibrazione viene normalmente eseguita utilizzando il segnale di onda quadra ottenuto impostando l'interruttore nella posizione verso l'interno(↓). Il segnale è un'onda quadra a circa 1 kHz. La configurazione dell'ampiezza fa riferimento all'ampiezza picco-picco tra le parti piatte dell'onda quadra, ignorando le sovraoscillazioni nelle transizioni.

Procedura dettagliata

Per prima cosa, decidere la larghezza della traccia da sottoporre a misurazione calibrata. Quindi, utilizzando il grafico, osservare la configurazione di deflessione della calibrazione per la larghezza della traccia e impostare l'oscilloscopio su una sensibilità idonea (1 Volt per divisione per le tracce strette o 0,5 Volt per le tracce più larghe).

Impostazione guadagno circuito stampato I-prober 520



Inserire la sonda nel vano di calibrazione e accendere il segnale di calibrazione impostando l'interruttore CALIBRATOR sulla posizione AC (indicata con ↓, verso il centro della centralina). Ottimizzare l'orientamento della sonda all'interno del vano di calibrazione per ottenere l'ampiezza massima del segnale sull'oscilloscopio, quindi regolare il controllo Trace Position in modo da centrare la traccia sullo schermo.

Regolare il controllo PCB Sensitivity (Sensibilità circuito stampato) in modo che la deflessione picco-picco (ignorando la sovraoscillazione) sia pari al valore ottenuto sopra dal grafico di calibrazione per riflettere la larghezza della traccia richiesta.

Spegnerne il segnale di calibrazione riportando l'interruttore CALIBRATOR (Calibratore) alla posizione centrale.

Per tracce più ampie di 6,5 mm, si può presumere che la lettura sia inversamente proporzionale alla larghezza della traccia più 2,2 mm. Diversamente, passare alla modalità Magnetic Field (Campo magnetico) e misurare il campo in ampere per metro. Il valore può essere convertito in ampere presupponendo che la lunghezza del percorso sia doppia rispetto alla larghezza della traccia più 4,4 mm (questo valore è spiegato dal fatto che il sensore si trova 0,7 mm sopra la superficie della traccia). Questo rapporto presuppone che la traccia sia lunga rispetto alla sua larghezza e abbia una disposizione ragionevolmente uniforme.

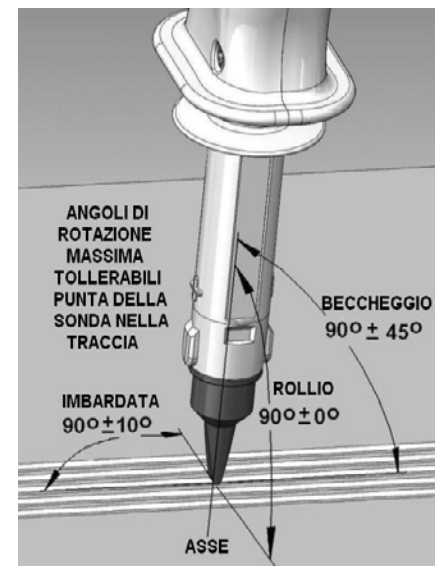
Aspetti pratici delle misurazioni quantitative

Per misurare con precisione la corrente in una traccia, è tassativo che la sonda sia posizionata con precisione in senso verticale in due dimensioni, esattamente sopra il centro della traccia e allineata con il lato lungo della punta perpendicolare rispetto alla traccia.

La figura mostra l'orientamento corretto. Se la sonda non viene posizionata perpendicolarmente alla traccia (imbardata), l'uscita varia secondo il teorema dei seni, quindi piccoli errori vengono tollerati. Allo stesso modo, ruotando la sonda in avanti o indietro intorno alla punta arrotondata (beccheggio) non si provocano errori di grande entità. I requisiti di posizione più importanti sono la centratura sulla traccia e la posizione verticale da lato a lato (rollio), in modo che la sonda sia piatta sulla traccia, non inclinata sull'angolo della punta.



Evitare di manipolare la punta della sonda con le dita, a meno che si sia certi dell'assenza di tensioni pericolose.



In assenza di campi irregolari estranei, la posizione corretta è quella che offre l'uscita più grande; tuttavia, si rileverà che, in un ambiente che contengono molti materiali magnetici, il campo magnetico localizzato può variare molto in ampiezza e direzione dal campo nord-sud terrestre esistente nello spazio libero. Di conseguenza, anche piccoli spostamenti della posizione della sonda possono avere un effetto significativo sulla tensione di uscita residua. Il miglior modo per ridurre questo effetto è di posizionare la sonda nella posizione richiesta sulla traccia da misurare, togliere la corrente e impostare la posizione zero, quindi inserire di nuovo la corrente e osservarne l'ampiezza. Molte di queste difficoltà possono essere evitate se è possibile effettuare una misurazione CA.

Quando si misurano correnti di piccole dimensioni (piccole rispetto all'effetto del campo magnetico dell'ambiente locale), è utile mantenere la posizione della sonda in una posizione fissa nello spazio (utilizzando un supporto da buretta o un dispositivo simile) e spostare il segnale da analizzare sotto la sonda fissa.

Notare che la procedura di calibrazione sopra descritta restituisce risultati previsti solo se la misurazione avviene in una traccia isolata a una certa distanza da altre correnti. Le tracce adiacenti che trasportano corrente, incluse quelle sull'altro lato del circuito stampato, hanno un effetto significativo sulla misurazione. La possibilità di ottenere un risultato quantitativo in tali circostanze richiede analisi matematica dai principi base.

Manutenzione

I fabbricanti o i loro agenti locali prestano un servizio di riparazione per qualsiasi unità difettosa. Nei casi in cui i proprietari desiderano effettuare da sé le operazioni di manutenzione, devono affidarle esclusivamente a personale qualificato in conformità con il manuale di assistenza, che può essere acquistato direttamente dai fabbricanti o dai loro agenti locali.

Pulizia

Se lo strumento necessita di pulizia, utilizzare un panno leggermente inumidito con acqua o con un detergente neutro.

ATTENZIONE! PER EVITARE IL RISCHIO DI FOLGORAZIONE O DANNI ALLO STRUMENTO, EVITARE L'INGRESSO D'ACQUA NELL'INVOLUCRO. PER EVITARE DANNI ALL'INVOLUCRO, NON PULIRLO CON SOLVENTI.

Isolamento della punta

Se l'isolamento della punta della sonda si usura o si danneggia a tal punto da mostrare lo strato di isolamento interno, contattare i fabbricanti o i loro agenti locali.

Calibrazione

Il parametro fondamentale di calibrazione è il campo magnetico; la calibrazione richiede un campo calibrato da una bobina di Helmholtz di precisione. Il fabbricante può prestare un servizio di ricalibrazione idoneo nel caso in cui il servizio di calibrazione locale non sia in grado di fornirlo.

Tuttavia, se è richiesta solo una ricalibrazione con la corrente nel cavo (con l'attacco toroide), può essere effettuata anche con un calibratore DMM standard, più facilmente reperibile. La calibrazione viene eseguita utilizzando una sinusoide da 50 o 60 Hz. Prestare attenzione a creare una posizione ripetibile del cavo all'interno dell'apertura nel toroide; di solito, è opposta alla punta della sonda e il più indietro possibile.

Collegamento Web

Per assistenza, visitare www.aimtti.com.

Introducción

El I-prober 520 de Aim es un dispositivo único, capaz de observar y medir la corriente en circuitos impresos y otros lugares donde las sondas de corriente convencionales no pueden utilizarse. Es una sonda de corriente «posicional», que obtiene sus mediciones del campo magnético existente en una posición definida respecto del elemento conductor de la corriente. Ello permite tanto la observación como la medición de dicha corriente simplemente aplicando la punta aislada de la sonda sobre la pista de un circuito impreso, la patilla de un componente o un plano de tierra.

Se incluye además una pieza toroidal que permite convertirla en una sonda de corriente «de circuito magnético cerrado» más convencional en caso de que sea necesario.

Esta sonda de corriente emplea un método de detección generalmente conocido como magnetómetro de puerta de flujo, que mide el campo magnético generado alrededor de la corriente eléctrica. El magnetómetro está formado por una pequeña bobina conductora dispuesta alrededor de un núcleo de un material avanzado que cuenta con propiedades magnéticas especiales. Al pasar una corriente magnetizante (de unos 40 MHz) a través de la bobina, el núcleo se magnetiza de manera alterna en direcciones opuestas. En ausencia de un campo magnético externo, esta magnetización es simétrica. Al aplicar un campo externo, la asimetría resultante es detectada por un bucle de retroalimentación que aplica a la bobina una corriente opuesta para restaurar a cero el campo neto. La tensión de salida resultante es proporcional a esta corriente opuesta y, por tanto, a la magnitud del campo.

La especial característica de esta sonda es el diminuto tamaño de la pieza del magnetómetro, que permite la medición de los campos en un punto del espacio determinado con gran precisión y posibilita además que el ancho de banda de la señal se extienda desde la corriente continua hasta los 5 MHz. Se permiten además dos configuraciones de menor ancho de banda para un menor ruido.

A diferencia de las sondas de transformador que, o bien son solo acopladas a corriente alterna, o bien necesitan de un mecanismo aparte (por ejemplo, un dispositivo de efecto Hall) para proporcionar una respuesta que alcance la corriente continua, esta sonda utiliza el mismo mecanismo de medición para todas las frecuencias de su ancho de banda.

Está diseñada para utilizarse con un osciloscopio que tenga una impedancia de entrada estándar de $1\text{ M}\Omega$.

Sonda de corriente

De acuerdo con la clasificación de la CEI, este instrumento pertenece a la clase de seguridad III y ha sido diseñado para satisfacer las prescripciones generales de la norma EN 61010-1 (*Requisitos de seguridad de equipos eléctricos de medida, control y uso en laboratorio*) y partes de la norma EN 61010-031, según sean aplicables a esta particular forma de sonda de corriente.

Este instrumento se ha sometido a pruebas con arreglo a las normas EN 61010-1 y EN 61010-031 y se suministra en condiciones de funcionamiento seguro. El presente manual de instrucciones contiene información y advertencias importantes que el usuario debe seguir, con el fin de garantizar y perpetuar la seguridad de funcionamiento.

Este instrumento ha sido diseñado para su uso en interiores, en entornos con una polución de grado 2 y dentro de un intervalo de temperaturas comprendido entre 5 °C y 40 °C, con una humedad relativa comprendida entre el 20% y el 80% (sin condensación). Se puede someter ocasionalmente a temperaturas comprendidas entre +5 °C y -10 °C, sin que su seguridad se vea reducida. No se debe utilizar cuando haya condensación.

ADVERTENCIAS Y PRECAUCIONES

- El uso de este instrumento de forma distinta a la especificada en estas instrucciones puede afectar a sus mecanismos de seguridad.
- La sonda solamente podrá ser usada por personal cualificado, conocedor de los riesgos asociados a la medición de partes conductoras con tensiones peligrosas, como pueden ser más de 70 V de corriente continua (CC) o una tensión de corriente alterna (CA) que supere los 33 V_{rms} o los 46,7 V_{pico}. La tensión máxima de los conductores al descubierto sobre los que puede ser empleada es de 300 V_{rms} para CAT II o de 600 V_{rms} para CAT I.
- La temperatura máxima de la superficie donde vaya a colocarse la punta de la sonda durante un periodo breve (2 minutos máximo) es de 150 °C. No exponga ninguna otra parte a altas temperaturas.
- Conecte el adaptador de CA a la caja base y el conector BNC de la señal de salida al osciloscopio antes de poner la sonda en contacto con la señal a medir. Use únicamente el adaptador de CA incluido y nunca emplee un osciloscopio que no tenga su chasis conectado a tierra.
- Antes de cada uso, compruebe que ni la punta de la sonda ni la carcasa o el cableado muestren signos de desgaste o daños. La seguridad depende enteramente de la integridad del aislamiento en la sección del eje de la sonda situado más allá del ribete de seguridad y de la punta de la sonda en particular.

NO UTILICE LA SONDA SI ALGUNA PIEZA APARENTA ESTAR AVERIADA.

Consulte la sección «Mantenimiento» para saber dónde retornar las sondas averiadas.

No desmonte la sonda ni su mango base; no contiene piezas reemplazables por el usuario.

- No sostenga la sonda más allá del protector situado entre el mango y el eje al realizar una medición de un conductor que se encuentre a una tensión peligrosa, y no permita que ninguna tensión peligrosa se aproxime al protector más allá del ribete de seguridad situado en el eje de la sonda. Consulte el diagrama de la página siguiente.
- Antes de acoplar o desacoplar la pieza toroidal de un cable al descubierto que esté a una tensión peligrosa, asegúrese de que el conductor no tenga todavía corriente.
- No use la sonda cuando esté mojada, o si existe condensación. No humedezca el instrumento al limpiarlo.

Adaptador de corriente alterna

El adaptador/cargador suministrado tiene una tensión nominal de entrada universal de 100-240 V AC, a 50/60 Hz. Es un dispositivo de clase II (doble aislamiento), de plena conformidad con las normas EN 60950-1 (2001) y UL 60950 (listado UL E245390).

Símbolos

La sonda de corriente y este manual utilizan los siguientes símbolos:



ADVERTENCIA: Riesgo de descarga eléctrica.



PRECAUCIÓN: Consulte la documentación adjunta (el presente manual). El instrumento puede resultar averiado si se ignoran estas precauciones.



No aplicar en los alrededores de, o sacar de, conductores con tensión peligrosa.



Es posible aplicar en conductores con tensión peligrosa.



Protegido mediante un doble aislamiento o con aislamiento reforzado.



Corriente alterna (AC).



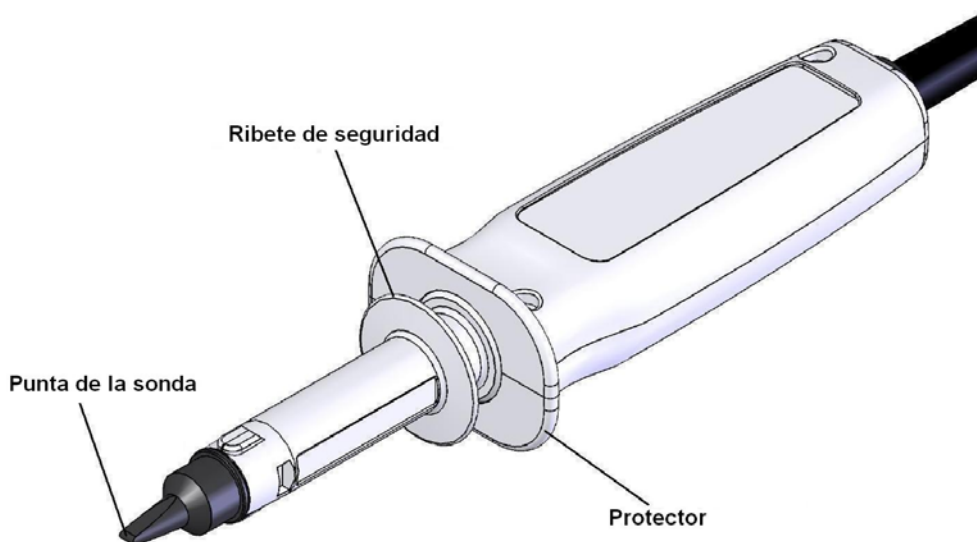
Corriente continua (DC).

CAT II

Indica mediciones de categoría II; la tensión nominal máxima a tierra para mediciones CAT II es habitualmente mostrada con este símbolo. Las mediciones de categoría II son aquellas que se realizan en circuitos directamente conectados a una alimentación de baja tensión como pueden ser los equipos y aparatos portátiles. CAT II **no** incluye las mediciones realizadas en circuitos distribuidores como paneles de distribución, disyuntores, barras colectoras, etc., o en instalaciones industriales, ya que todos ellos se clasifican como CAT III.

CAT I

Indica mediciones de categoría I; la tensión nominal máxima a tierra para mediciones CAT I es habitualmente mostrada con este símbolo. Las mediciones de categoría I son aquellas que se realizan en circuitos no directamente conectados a una alimentación de baja tensión. Esta categoría incluye los circuitos secundarios separados por un transformador de los circuitos alimentados directamente, así como los circuitos derivados de la alimentación en los que se han tomado las medidas necesarias para limitar las sobretensiones transitorias a un nivel inferior adecuado. La sobretensión transitoria máxima permitida para la clasificación CAT I de 600 V de esta sonda es de 2500 V.



Tensión de la red de alimentación

Este instrumento incluye un adaptador de CA con un rango de entrada universal que funcionará con un suministro eléctrico nominal de 115 V o 230 V a 50 Hz o 60 Hz sin modificaciones. Asegúrese de que el suministro de la red eléctrica local cumpla con este requisito.

Instale el tipo de enchufe adecuado para su país en el adaptador deslizándolo por los surcos hasta que quede trabado.

El aparato solamente puede utilizarse con el adaptador de corriente incluido.

Desconéctelo del suministro eléctrico cuando no lo utilice.

El adaptador de CA es un dispositivo perteneciente a la clase de seguridad II (doble aislamiento) que proporciona 5,2 V CC a una intensidad de hasta 1 amperio. La referencia a tierra para el sistema de medición es la conexión a tierra del osciloscopio. Utilice siempre un osciloscopio cuyo chasis esté conectado a tierra de forma que la parte exterior del conector BNC esté a tierra.

Aspectos generales de la instalación

Al usar la sonda sin la pieza toroidal (para una corriente en un cable), esta se verá notablemente influenciada por todos los campos magnéticos externos existentes en el punto de medición; no solo el terrestre (que puede verse modificado por elementos de acero) sino también campos residuales de inductores o transformadores, componentes magnetizados, etc. La sección «Funcionamiento» contiene una serie de notas útiles para lograr las mejores mediciones, cualitativas y cuantitativas, en los diferentes modos de funcionamiento en presencia de dichos campos magnéticos dispersos.

Conexiones

Conexión a la red eléctrica

Instale el tipo de enchufe adecuado para su país en el adaptador suministrado deslizándolo por los surcos hasta que quede trabado y conéctelo a la red eléctrica. Conecte el cable de salida del adaptador al enchufe de entrada de la corriente ubicado en la caja de control y marcado como DC IN (entrada de CA).

El aparato solamente puede utilizarse con el adaptador de corriente incluido.

Señal de salida

Enchufe el conector BNC del cable de salida sujeto a la caja de control (marcado OUTPUT, *salida*) a una entrada de 1 M Ω del osciloscopio. Este cable es sensible a la capacitancia, por lo que no deberá alargarse si se requiere una reproducción precisa de la forma de onda. Utilice siempre un osciloscopio cuyo chasis esté conectado a tierra de forma que la parte exterior del conector BNC esté a tierra, y realice esta conexión antes de medir tensiones altas.

La sensibilidad del eje Y del osciloscopio puede ajustarse a la magnitud del campo que se investigue. El acoplamiento de CA puede usarse para eliminar el efecto del campo magnético terrestre u otros campos fijos procedentes de materiales permanentemente magnetizados, siempre y cuando no sean tan grandes que sobrecarguen la sonda.

Conexión para la medición

El cable que une la sonda y la caja de control está sujeto a ambos extremos y no puede ser sustituido por el usuario. Se deberá cuidar de que no entre en contacto con objetos muy calientes.

La medición de la corriente se produce de hecho sin contacto alguno; no se efectúa conexión galvánica de ningún tipo con el conductor de la corriente a medir. La punta de la sonda y su eje, a partir del ribete de seguridad, disponen de doble aislamiento y permiten medir de forma segura conductores con tensiones altas respecto a tierra, de acuerdo con los límites indicados en las especificaciones. Sin embargo, es imperativo que el aislamiento de la punta de la sonda no haya sido dañado como resultado de la abrasión o el contacto con superficies a más de 150 °C.



Lea y comprenda la sección «Seguridad» de este manual antes de usar la sonda.

Las mediciones realizadas en aparatos con tensiones peligrosas al descubierto solo serán efectuadas por técnicos con la suficiente formación y experiencia para ser conscientes de los riesgos asociados.

Compruebe siempre que la punta de la sonda no manifieste signos de desgaste antes de usarla en conductores con tensiones peligrosas.

Controles

Los siguientes controles están montados en la caja de control.

Interruptor de modo

Este interruptor deslizante de tres posiciones ajusta la ganancia de la sonda para obtener unos resultados calibrados en las tres circunstancias principales de funcionamiento:

FIELD (campo)	Medición del campo magnético.
PCB TRACK (pista PCB)	Medición de la corriente en la pista del circuito impreso situada bajo la punta de la sonda.
WIRE (cable)	Medición de la corriente de un cable con ayuda de la pieza toroidal.

Sensibilidad

Este control solamente se encuentra activo en la posición PCB TRACK y se emplea para ajustar la ganancia y adecuarla a la anchura física de la pista que se esté midiendo.

Posición de traza

Este control ajusta el desplazamiento de CC de la señal de salida para compensar otros campos magnéticos como el terrestre. Cuando opera con altas sensibilidades, este control cuenta con un rango mucho mayor que el control de posición Y de la mayoría de osciloscopios.

Ancho de banda

Este interruptor de tres posiciones permite que el usuario elija el mejor compromiso entre ancho de banda de la señal y nivel de ruido. Los tres anchos de banda nominales son 5 MHz, 500 kHz y 2 Hz. La posición de 2 Hz eliminará casi totalmente cualquier efecto visible procedente de los campos de frecuencias de la red eléctrica de 50 o 60 Hz, pero tenga en cuenta que la sonda podría ser sobrecargada de forma no visible por un gran campo a frecuencias por encima del límite del ancho de banda.

Calibrador

Con la sonda insertada en el orificio de calibración hasta que haga contacto con el circuito impreso, esta es sometida al campo procedente de una corriente conocida. El interruptor de tres posiciones permite seleccionar una corriente alterna (onda cuadrada de 1 kHz) o continua. La posición central desactiva la calibración. Más adelante se detalla el procedimiento para calibrar de esta manera la sensibilidad de la sonda a la medida de una pista específica.

La calibración se deberá desactivar cuando no se utilice.

Sobrecarga

El indicador de sobrecarga se iluminará cuando la señal supere el nivel de corte del amplificador de salida o en caso de que el campo magnético sea tan grande que sature el sistema, lo cual podría hacer que la señal de salida pareciera estar dentro del rango de funcionamiento. En particular, se deberá vigilar este indicador cuando se use acoplamiento de CA en el osciloscopio, ya que seguirá siendo posible que los campos de CC sobrecarguen la sonda.

Medición de los campos magnéticos

El campo magnético se mide a lo largo de la dimensión más ancha de la punta de la sonda. El factor de escalado es de 250 μT (microteslas) por voltio, por lo que la secuencia de configuración normal del osciloscopio arroja 250 $\mu\text{T}/\text{div}$ a 1 V/div, 500 $\mu\text{T}/\text{div}$ a 2 V/div y 1,25 mT/div a 5 V/div. Los múltiplos de más sensibilidad escalan de la manera esperada. 250 μT equivalen a 2,5 gauss.

Como alternativa, el factor de escalado puede interpretarse como 200 amperios por metro por voltio, de forma que los factores de escalado correspondientes son 200 A/m/div, 400 A/m/div y 1000 A/m/div.

En cualquiera de los casos, la tensión máxima de salida es de ± 10 V, que se corresponden con el campo de trabajo máximo, que es de $\pm 2,5$ mT o ± 2000 A/m.

Si la sonda se sostiene con su punta hacia abajo (y el mango arriba), con el signo + de cara al usuario y orientada para dar una tensión de salida positiva, las líneas de flujo pasarán desde un polo norte a su izquierda hasta un polo sur a su derecha. En el campo magnético terrestre, ello significa que el norte geográfico se encuentra a la derecha.

Notas de uso para las mediciones de los campos magnéticos

Debido a las reducidas dimensiones de la punta de la sonda, esta es capaz de percibir la variación de los campos magnéticos en zonas muy localizadas. Al poder detectar los campos magnéticos existentes alrededor de los inductores y de los espacios de sus núcleos, existe la posibilidad de que, en ocasiones, se produzcan interferencias inesperadas con los circuitos electrónicos. También puede percibir los campos irradiados a través de ranuras y orificios de las carcasas de otros equipos, a menudo fuente de incompatibilidades electromagnéticas. La sonda cuenta con un ancho de banda que cubre la mayoría de formas de onda de las fuentes de alimentación de modo conmutado.

El bajo ruido del sistema le hace capaz de medir campos mucho más pequeños que el terrestre con lo que, al configurar el osciloscopio a una alta sensibilidad, se puede generar una traza que se salga completamente de la pantalla. El ajuste TRACE POSITION (posición de traza) de la caja de control tiene un rango mucho mayor que el típico control del eje Y de los osciloscopios. En muchos casos es posible usar el acoplamiento de CA del osciloscopio para minimizar el problema en caso de que la distorsión de baja frecuencia de la onda sea aceptable.

Medición de corriente en cables

La pieza toroidal incluida permite medir la corriente que circula por un cable. Esta contiene un núcleo magnético que concentra en el sensor de la sonda de corriente el campo magnético existente alrededor del cable. Se acopla mecánicamente al frente de la sonda para conservar la relación correcta entre el hueco de la pieza toroidal y el sensor situado en la punta de la sonda.

Sujeción de la pieza toroidal al cable



Antes de sujetar la pieza toroidal al cable que se desee medir, asegúrese de que no exista riesgo de descarga eléctrica para el usuario, bien comprobando que el cable se encuentre correctamente aislado para la tensión que transporte o bien desconectándolo de su alimentación.

Haga pasar el cable a través del extremo abierto de las mandíbulas de la pieza toroidal y coloque la sonda de manera que los salientes grandes de su frontal estén en línea con los huecos situados en la carcasa de la pieza toroidal. A continuación empújelos juntos en línea recta. Las mandíbulas de la pieza cederán para permitir el paso de la sonda hasta que encaje en las ranuras de sujeción, momento en el que se escuchará un clic. Confirme que ambas partes hayan quedado firmemente unidas girando y empujando suavemente la sonda. Para obtener unos resultados calibrados, disponga el cable en la parte posterior del agujero de la pieza toroidal, lejos del sensor de la punta de la sonda.

Seleccione la posición Wire (cable) en el interruptor MODE (modo) de la caja de control. Se configurará una sensibilidad calibrada de 1 voltio por amperio. Establezca en el osciloscopio la sensibilidad que desee para el eje Y y seleccione el ancho de banda adecuado (BANDWIDTH).

Nota: La calibración de 1 V/A solamente es aplicable cuando la sonda se emplea con la pieza toroidal. Las piezas toroidales no son intercambiables entre sondas. Verifique que los números de serie de la sonda y de la pieza toroidal coincidan para asegurarse de que el par esté correctamente calibrado.

Notas de funcionamiento para el uso de la pieza toroidal

El circuito magnético de la pieza toroidal reduce la sensibilidad a los campos magnéticos externos, incluyendo el terrestre, hasta aproximadamente una quinta parte, por lo que la medición se ve mucho menos afectada por la posición de la sonda; sin embargo, para obtener unos resultados más consistentes, dispóngala de forma que descansa en una posición fija, alejada de fuertes campos magnéticos locales.

Para obtener mayor sensibilidad puede enrollar el cable varias vueltas alrededor de la pieza. El consiguiente aumento de la inductancia por inserción reducirá ligeramente la respuesta de la frecuencia,

pudiendo afectar a algunos circuitos de frecuencias altas pero, por lo demás, el factor de escalado se multiplicará en función del número de vueltas.

Al medir corriente continua, los resultados pueden verse afectados por pequeños efectos de histéresis y remanencia en el material magnético de la pieza toroidal. Para lograr la mayor precisión, aplique en primer lugar la corriente en la dirección deseada para premagnetizar el circuito, retírela y ponga a cero el control TRACE POSITION (posición de traza) del osciloscopio; a continuación vuelva a aplicar la corriente para medirla. Este punto cero no variará mucho con los cambios de la corriente, siempre y cuando esta permanezca en la misma dirección. Por el contrario, si su polaridad se invirtiera, deberá reestablecer el valor cero de nuevo. Al medir la corriente alterna este efecto es insignificante, aunque se debe tener en cuenta que al desconectar la corriente el punto cero puede presentar cierto desplazamiento.

Las marcas de polaridad ubicadas en el mango de la sonda son la referencia para indicar la dirección de la corriente: la salida al instrumento de medición será positiva cuando la corriente fluya desde el costado con el signo + hasta el costado con el signo -. También la pieza toroidal cuenta con marcas de polaridad, aunque su única función es ayudar a acoplarla de forma consistente a la sonda; invertir la pieza no invierte la polaridad.

Extracción de la pieza toroidal



Antes de tocar la pieza toroidal asegúrese de que no existan tensiones peligrosas.

Para extraer la pieza, sosténgala junto al cuerpo de la sonda y gírela suavemente unos 30° mientras tira de ambas en dirección contraria. El movimiento de giro utiliza los salientes del frontal de la sonda para hacer palanca en los brazos de la pieza toroidal de manera que estos se separan y facilitan la extracción sin necesidad de tirar directamente.

Medición de corriente en un circuito impreso

Antes de que la sonda entre en contacto con pistas que transporten altas tensiones, compruebe siempre el buen estado del aislamiento de la punta. La punta de la sonda dispone de doble aislamiento; bajo la funda negra, de alta resistencia a la fusión, que protege la punta se encuentra una segunda funda de color claro, que contiene el propio sensor. No deberá usar la sonda para medir tensiones altas en caso de que la funda interior de color claro sea visible. Deberá inspeccionarla cuidadosamente, ya que el desgaste o la suciedad pueden hacer que la diferencia de color sea difícil de percibir. Para prolongar al máximo la vida de la punta, evite frotarla contra superficies rugosas.



Las mediciones realizadas en aparatos con tensiones peligrosas al descubierto solo serán efectuadas por técnicos con la suficiente formación y experiencia para ser conscientes de los riesgos asociados. Asegúrese siempre de mantener las manos alejadas de las altas tensiones.

La sonda puede determinar la corriente de una pista de un circuito impreso mediante la medición del campo magnético generado por dicha corriente alrededor de la pista. La sonda deberá sostenerse centrada sobre la pista, con el lado largo de su punta **de lado a lado** de la pista y el cuerpo de esta sosteniéndose lo más perpendicular posible a la pista. Cuando la salida sea positiva en el instrumento de medición, la corriente circulará de + a - conforme a las marcas ubicadas en el mango de la sonda. Al no tratarse de un circuito magnéticamente cerrado, la sonda se verá influenciada por todos los campos magnéticos externos existentes en el punto de medición. Las causas de estos campos son muchas: el propio campo magnético terrestre (que puede verse modificado por elementos de acero), campos residuales de inductores o transformadores, componentes magnetizados (por ejemplo tornillos) e incluso materiales magnéticos en electrodos o en terminaciones de componentes electrónicos. Por ello es bastante difícil realizar mediciones cuantitativas precisas, aunque existen muchas aplicaciones donde una medición cualitativa proporciona toda la información necesaria.

Medición cualitativa

Las principales áreas de aplicación de esta sonda son las fuentes de alimentación de modo conmutado, los amplificadores de potencia y otros circuitos por donde discurren tensiones altas. La sonda está optimizada para una fiel percepción de las ondas. El hecho de que su respuesta se extienda hasta la

corriente continua permite visualizar las formas con exactitud. Su naturaleza extremadamente localizada facilita una detallada investigación de los caminos exactos seguidos por estas corrientes.

Puede, por ejemplo, usarse para investigar la efectividad de los condensadores de filtrado o de desacoplo: una corriente por impulsos debería circular entre el dispositivo conmutador o rectificador y el condensador, mientras que solo una componente de corriente continua circularía desde el otro lado de la confluencia. Las señales de conmutación residuales producidas por una incorrecta disposición o un uso inadecuado de los componentes pueden detectarse con facilidad.

La sonda puede ser de especial utilidad para investigar el flujo de la corriente en planos de alimentación y de tierra. A menudo sucede que, si un plano de tierra se divide y posteriormente se vuelve a unir, por ejemplo alrededor de un grupo de componentes, es posible que se induzca de forma inesperada una corriente que circule alrededor del bucle resultante. También puede emplearse para mostrar las interferencias y acoplamientos cruzados entre circuitos, así como para verificar la correcta cancelación de aquellos circuitos que deben estar equilibrados.

Otra aplicación es la de encontrar cortocircuitos en una placa impresa, al poder seguir la corriente desde su origen hasta el punto en donde el fallo la desvíe. Al comparar la señal con la corriente conectada y desconectada se puede distinguir entre el fallo de esta y los campos magnéticos externos.

No solo es posible medir la corriente en las pistas de los circuitos impresos, sino también en las patillas de los componentes, incluidas las terminales de los circuitos integrados. Tenga cuidado con componentes muy calientes como las resistencias helicoidales, que podrían superar la temperatura nominal de funcionamiento de la punta de la sonda.

Calibración para medición cuantitativa de pistas de circuitos impresos

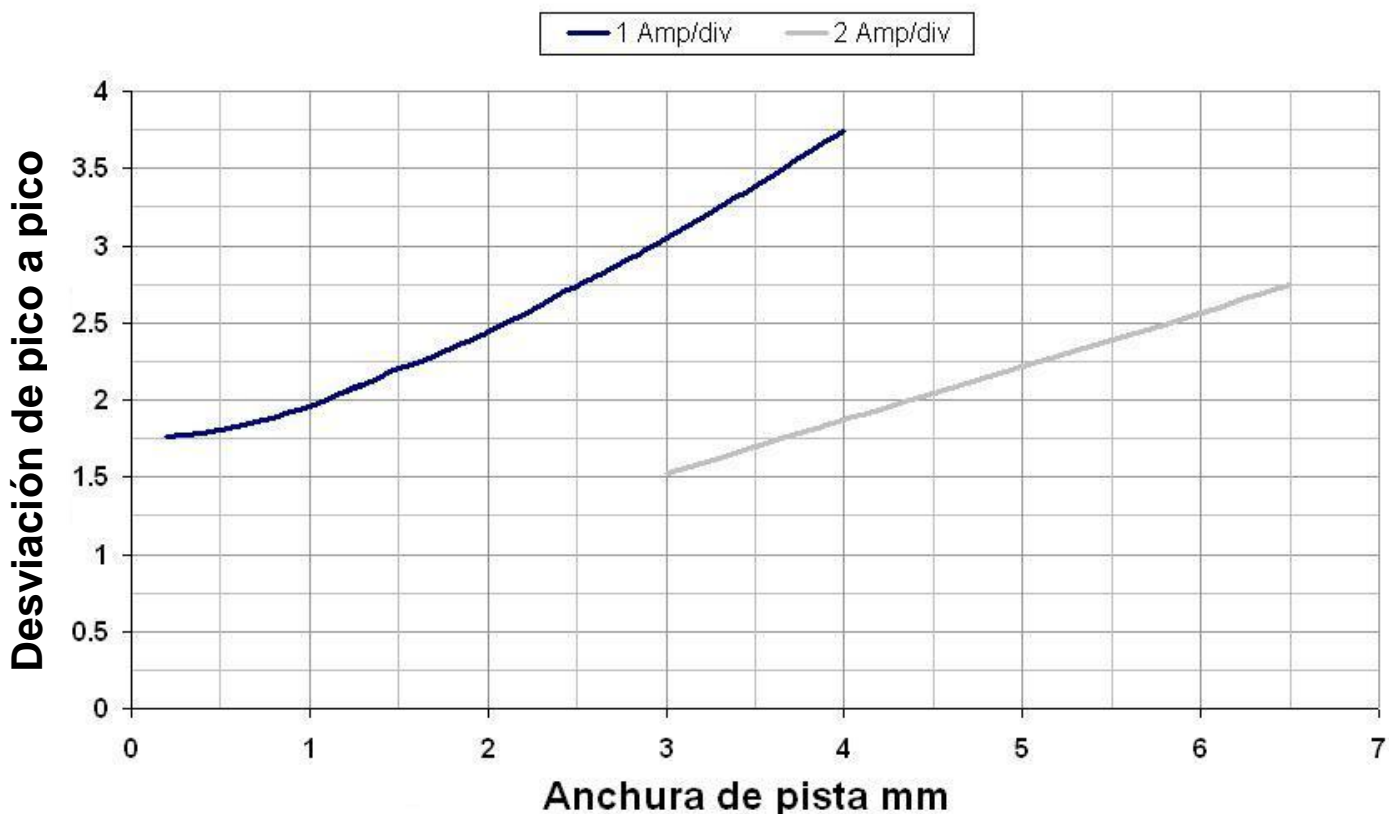
La diferencia entre la tensión de salida mostrada por el osciloscopio y la corriente actual en la pista del circuito impreso depende de una compleja relación entre la anchura de la pista, la anchura del sensor del interior de la sonda de corriente y el grosor de su aislamiento entre la pista y el propio sensor. Para realizar mediciones cuantitativas, el ajuste de sensibilidad ubicado en la caja de control deberá adecuarse a la pista específica que se vaya a medir. Cuanto mayor sea la pista, menor será la fuerza del campo para una corriente dada y mayor será la ganancia requerida para obtener una sensibilidad de 1 A/V. En pistas de anchura superior a 3,5 mm, el sistema deberá ajustarse para una sensibilidad de 2 A/V.

Esta relación entre la anchura de la pista y la ganancia requerida está incluida en la gráfica de calibración siguiente. El procedimiento de calibración consiste en colocar la sonda en el orificio de calibración de la caja de control y aplicar la corriente de calibración. El control de sensibilidad debe entonces ajustarse para obtener así la tensión de salida que se corresponda con la anchura de pista deseada, en función de lo que refleje la desviación de la traza del osciloscopio. El calibrador puede producir una corriente de calibración continua o de onda cuadrada. Para evitar las dificultades provocadas por la influencia del campo magnético terrestre y los campos magnéticos locales, la calibración se realiza habitualmente utilizando la señal de onda cuadrada obtenida colocando el interruptor en la posición interior (↓). Esta señal es una forma de onda cuadrada de aproximadamente 1 kHz. La configuración de la amplitud se refiere a la amplitud de pico a pico entre las partes planas de la onda cuadrada, ignorando cualquier exceso en las transiciones

Procedimiento pormenorizado

En primer lugar, decida la anchura de la pista en la que necesita realizar una medición calibrada. A continuación, use la gráfica para buscar la configuración del desvío de calibración para esa anchura, y ajuste el osciloscopio a una sensibilidad adecuada (1 voltio por división para pistas estrechas o 0,5 voltios por división para pistas más anchas).

Configuración de ganancia para circuito impreso en I-prober 520



Inserte la sonda en el orificio de calibración y encienda la señal de calibración colocando el interruptor CALIBRATOR (calibrador) en la posición de corriente alterna (con la marca ↓, hacia el centro de la caja de control). Optimice la orientación de la sonda en el interior del orificio del calibrador para obtener la máxima amplitud de señal en el osciloscopio y a continuación ajuste el control Trace Position (posición de traza) para centrar la traza en la pantalla.

Ajuste el control PCB Sensitivity (sensibilidad del circuito impreso) de manera que la desviación de pico a pico (ignorando los excesos) sea igual al valor obtenido en la gráfica de calibración anterior para la anchura de pista correspondiente.

Desconecte la señal de calibración colocando de nuevo el Interruptor CALIBRATOR en su posición central.

Para pistas de anchura superior a 6,5 mm, se puede asumir que la lectura es inversamente proporcional a la anchura de la pista más 2,2 mm. Como alternativa, active el modo Magnetic Field (campo magnético) y mida el campo en amperios por metro. Este valor puede convertirse a amperios asumiendo que la longitud de la ruta es el doble de la anchura de la pista más 4,4 mm (esta cifra tiene en cuenta el hecho de que el sensor se encuentra 0,7 mm por encima de la superficie de la pista). La anterior relación asume además que la pista es alargada con respecto a su anchura y con una disposición razonablemente uniforme.

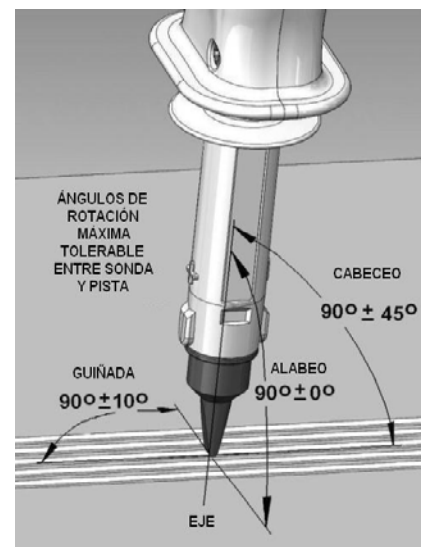
Aspectos prácticos de la medición cuantitativa

Para medir con precisión la corriente de una pista, la sonda debe posicionarse verticalmente en dos dimensiones exactas, colocarse perfectamente sobre el centro de la pista y alinearse con la dimensión larga de la punta formando un ángulo recto con respecto a la pista.

El diagrama muestra la orientación correcta. Si la sonda no se alinea en ángulo recto a través de la pista (guiñada), la salida varía de acuerdo con una ley sinusoidal, por lo que los pequeños errores son tolerables; de manera similar, la rotación de la sonda hacia adelante o hacia atrás alrededor de su punta redondeada (cabeceo) no provoca errores importantes. El requisito más importante en cuanto a la posición es el centrado en la pista y la colocación vertical de lado a lado (alabeo), de forma que la sonda se encuentre plana sobre la pista y no apoyada en la esquina de su punta.



Evite la tentación de manipular la punta de la sonda con los dedos, salvo que tenga la certeza de que no hay presentes tensiones peligrosas.



En ausencia de campos extraños irregulares, la posición correcta es aquella que proporcione la mayor salida, aunque se observará que, en entornos con muchos materiales magnéticos, el campo magnético local puede variar sustancialmente tanto en magnitud como en dirección del campo norte-sur de La Tierra presente en el espacio libre. Es por ello que incluso un pequeño movimiento en la posición de la sonda puede tener un impacto significativo en la tensión de salida residual. La mejor forma de reducir al mínimo este efecto es colocar la sonda en la posición requerida de la pista a medir, desconectar la corriente y fijar la posición cero para después volver a conectar la corriente y anotar su magnitud. Muchas de estas dificultades pueden evitarse en caso de que sea factible realizar mediciones de corriente alterna.

Al medir pequeñas corrientes (pequeñas en relación con el efecto del campo magnético del entorno local), resulta de ayuda que la sonda pueda mantenerse fija en el espacio (usando un portamatraz o similar), para mover la señal que se esté probando bajo la sonda fija.

Tenga en cuenta que el procedimiento de calibración indicado anteriormente solamente arrojará resultados precisos cuando la medición se realice en una pista aislada, a cierta distancia de cualquier otra corriente. Las pistas próximas que transporten corriente, incluidas aquellas situadas en la otra cara del circuito impreso, tendrán un impacto significativo sobre las mediciones. La obtención de un resultado cuantitativo en tales circunstancias requiere un análisis matemático a partir de primeros principios.

Mantenimiento

La empresa fabricante o sus representantes en el extranjero ofrecen un servicio de reparación para cualquier unidad en la que surja un fallo. Si los propietarios desean realizar ellos mismos el trabajo de mantenimiento, este sólo podrá ser llevado a cabo personal cualificado, consultando el manual de servicio que se puede solicitar directamente a la empresa fabricante o a sus representantes en el extranjero.

Limpieza

Si es necesario limpiar el instrumento, utilice un paño ligeramente humedecido con agua o un detergente suave.

¡ADVERTENCIA! PARA EVITAR DESCARGAS ELÉCTRICAS Y DAÑOS EN EL INSTRUMENTO, NO PERMITA NUNCA QUE ENTRE AGUA EN LA CARCASA. PARA EVITAR DAÑOS EN LA CARCASA, NO LA LIMPIE NUNCA CON DISOLVENTES.

Aislamiento de la punta

Si el aislamiento de la punta de la sonda muestra signos de desgaste o daños de tal manera que quede visible la capa de aislamiento interior, póngase en contacto con el fabricante o con sus representantes en el extranjero.

Calibración

El parámetro fundamental para la calibración es el campo magnético; la calibración requiere de un campo calibrado por medio de una bobina Helmholtz de precisión. El fabricante puede proporcionar un servicio de recalibración apropiado en caso de que el servicio de calibración local no se lo pueda ofrecer.

Sin embargo, si solamente se necesita una recalibración de corriente en cable (con la pieza toroidal), esta se puede lograr por medio de un calibrador para multímetros digitales estándar, de más amplia disponibilidad. La calibración se efectúa mediante una onda sinusoidal de 50 ó 60 Hz. Asegúrese de establecer una posición repetible del cable en la apertura de la pieza toroidal; para ello normalmente deberá colocarlo en dirección contraria a la punta de la sonda y lo más atrás posible.

Vínculo web

Para asistencia le rogamos visite www.aimtti.com.



Thurlby Thandar Instruments Ltd.

Glebe Road • Huntingdon • Cambridgeshire • PE29 7DR • England (United Kingdom)

Telephone: +44 (0)1480 412451 • Fax: +44 (0)1480 450409

International web site: www.aimtti.com • UK web site: www.aimtti.co.uk

Email: info@aimtti.com