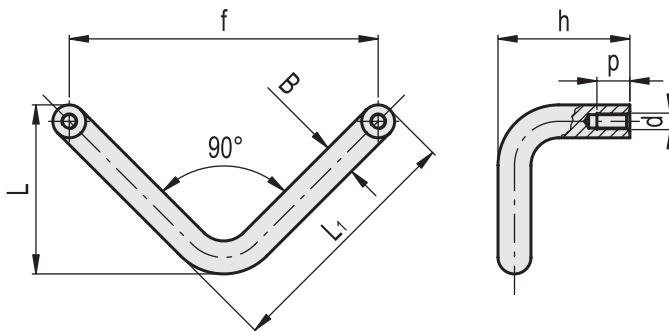


MATERIAL

Round cross section steel bar, chrome-plated surface, glossy finish.

STANDARD EXECUTION

Threaded blind holes.



- 1
- 2
- 3
- 4
- 5
- 6
- 7
- 8
- 9
- 10
- 11
- 12
- 13
- 14
- 15
- 16
- 17
- 18

Code	f	L	d	p	L1	B	h	⚖️
RHWS-08.075.22	75	41	M4	8	61	8	32	56
RHWS-10.090.22	90	49	M5	10	73	10	40	107