

PCB Mount Fuseholders



DESCRIPTION

A semi-enclosed PCB mount fuseholder for 5x20mm fuses.

DISTINCTIVE FEATURES

- Through-hole PCB mount with straight pins for easy assembly
- Optional fuse carrier version to ease fuse insertion and extraction
- UL and VDE approved

APPLICATIONS

These R-TECH PCB-mount fuseholders are used to integrate a 5 x 20mm fuse safely within an electric circuit. They are ideal for applications where fuses can be safely accessed. A fuse carrier is available to protect the fused connections and to ease extraction and insertion. They are suited to professional and hobbyist applications.

5 x
20mm

PCB

IP40

10A

VDE

UL



ELECTRICAL SPECIFICATION

Shocksafe Category	PC2 to IEC 60127-6
Rated Voltage	250VAC
Rated Current (UL)	10A
Rated Current (VDE)	10A
Rated Power	2.5W/10A @ Ta 23°C Admissible power acceptance at higher ambient temperature see derating curves
IEC Acceptance (See derating curves)	See graph
Protection Class	Suitable for appliances with protection class 1 or 2 acc. to IEC 61140
Contact Resistance	< 5mΩ at 20 mV
Dielectric Strength (Between L-N)	> 3kV (50Hz; 1 min)
Dielectric Strength (Between L/N-PE)	> 4kV (50Hz; 1 min)
Insulation Resistance (Between L-N)	> 10MΩ (500VDC; 1 min)
Insulation Resistance (Between L/N-PE)	> 100MΩ (500VDC; 1 min)
Overtoltage Category	I - III acc. to IEC 60664-1
Impulse Withstand Voltage (Between L-N)	> 4kV
Impulse Withstand Voltage (Between L/N-PE)	> 6kV



GENERAL SPECIFICATION

Series	Fuseholder
Type	PCB mounting straight pin
Compatible Fuse Size (Diameter x Length)	5 x 20mm
Mounting Type	PCB mount
Mounting Method	Solder pins
Product Marking	Type, voltage, current, approvals



MATERIALS

Base/ Body	Thermoplastic UL94-V0
Carrier	Thermoplastic UL94-V0
Terminals	Tin-plated copper alloy
Base Colour	Black
Carrier colour	Black



ENVIRONMENTAL/OPERATING SPECIFICATION

Flame Retardancy	UL94-V0
IP Rating	IP40
Operating Temperature	-40°C to 85°C
Storage Temperature	0°C to 60°C
Storage RH	Max. 70% r.h
Pollution Degree	1 - 3 acc. to IEC 60664-1
Climatic Category	40/085/21 acc. to IEC 60068-1
Soldering Methods	Soldering iron
Solderability	350°C/2sec acc. to IEC 60068-2-20, Test Ta, method 2
Resistance to Soldering Heat	350°C/10sec acc. to IEC 60068-2-20 Test Tb, method 2
RoHS	Yes



CERTIFICATION AND STANDARDS

Approvals - VDE	Certificate Number 134125
Approvals - UL	Certificate Number E239034
Standards - IEC	IEC 60127-6
	IEC 61140
	IEC 60068-1
	IEC 60664-1
	IEC 60068-2-20
Standards - UL	UL4248-1/UL512
Standards - GB	GB9364.6



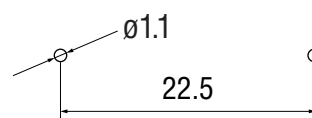
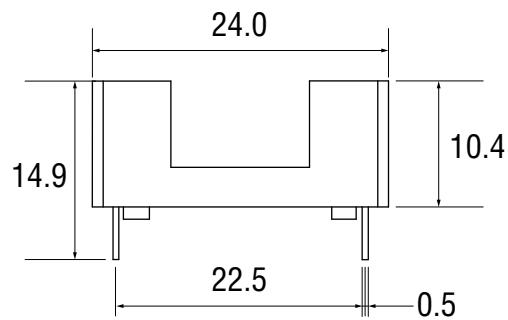
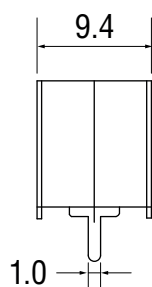
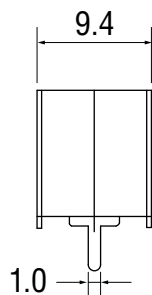
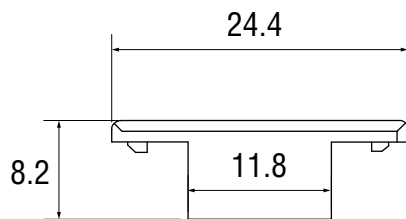
TERMINALS

Terminal Type	Solder pins
Terminal Dimension	4.5 x 1.0 x 0.5mm

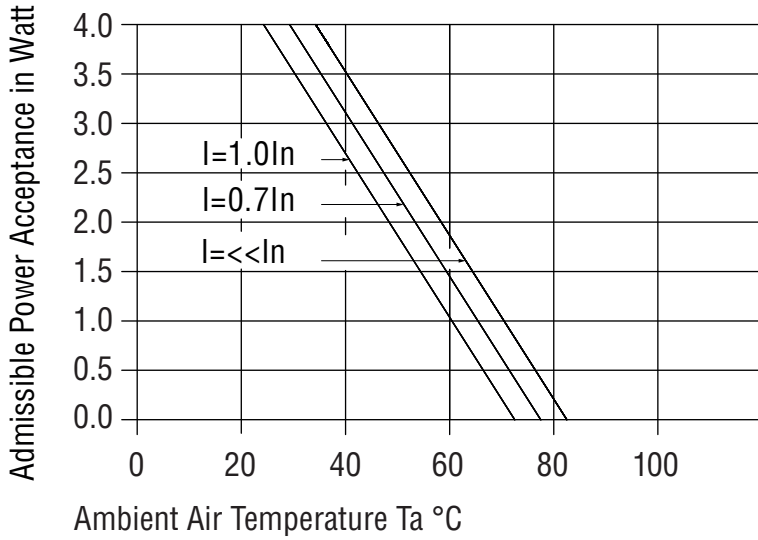


DIMENSIONS/DRAWINGS

Units	mm - unless stated otherwise	
Dimensions (Summary 52-2823)	24.0 x 9.4 x 14.9mm	
Dimensions (Summary 52-2824)	24.4 x 9.4 x 16.9mm	
	52-2823	52-2824
Length	24.0mm	24.4mm
Width	9.4mm	9.4mm
Height	14.9mm	16.9mm
Mounting Holes (See drawing)	22.5mm pitch ϕ 1.1mm	
Unit Weight (Socket/Carrier)	5.5/3.22g	
Max PCB Thickness	3.5mm	
Max PCB Thickness	3.5mm	



Derating Curves



OPTIONS (MOQ may apply)

Connection	Kinked pin version available
------------	------------------------------



PART NUMBER TABLE

Part Number Table	Type	UNSPSC	EAN	Country of Origin
52-2823	Without fuse carrier	39121624	5053556006403	China
52-2824	With fuse carrier	39121624	5053556006410	China



Tried & trusted technology

Important Notice: This data sheet and its contents (the "Information") belong to Rapid Electronics Limited or are licensed to it. No licence is granted for the use of it other than for information purposes in connection with the products to which it relates. No licence of any intellectual property rights is granted. The Information is subject to change without notice and replaces all data sheets previously supplied. The Information supplied is believed to be accurate but Rapid Electronics Limited assumes no responsibility for its accuracy or completeness, any error in or omission from it or for any use made of it. Users of this data sheet should check for themselves the Information and the suitability of the products for their purpose and not make any assumptions based on information included or omitted. Liability for loss or damage resulting from any reliance on the Information or use of it (including liability resulting from negligence or where Rapid Electronics Limited were aware of the possibility of such loss or damage arising) is excluded. This will not operate to limit or restrict Rapid Electronics Limited's liability for death or personal injury resulting from its negligence.