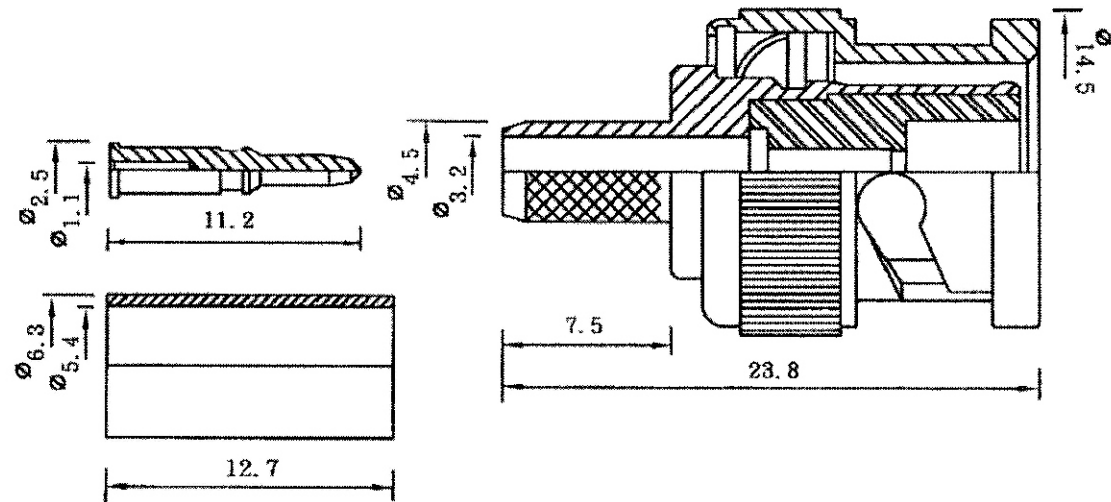


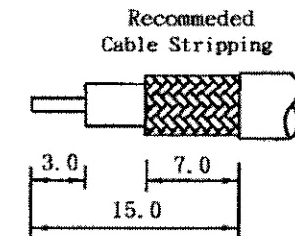
Electrical	
Impedance	50 Ω
Frequency range	0-4GHz
VSWR	≤ 1.2 typ
Test voltage	1500 volts rms
Working voltage	400 V rms
Voltage rating	500 volts peak
Power handling	≤ 80 W (2GHz)
Other (MIL-C-39012 Cable Connectors)	Contact resistance: center contact ≤ 1.5 mΩ outer contact ≤ 1 mΩ Insertion loss: ≤ 0.1x√f(GHz)dB Insulation resistance: ≥ 5000 mΩ
Material	
Mating cycles	≥ 500
Center contact captivation	axial: ≥ 27 N
Environmental	
Temperature range	-85°C + 165°C
Thermal shock	US MIL-STD 202, Meth, 107, Cond. B
Vibration	US MIL-STD 202, Meth, 204, Cond. B
Climatic class	IEC 60088 65/185/21
Shock	US MIL-STD 202, Meth, 213, Cond. B
Corrosion resistance	US MIL-STD 202, Meth, 101, Cond. B
Degree of protection (mated pair)	IEC 60529

NOTE: FINISH (PLATING THICKNESS IN MICRO-INCHES)

- BRASS PER J15-C3604
- TEFLON MIL-P-19468
- CONNECTOR INTERFACE PER MIL-STD-348A
- PART TO BE CLEAN AND FREE BURRS
- NICKEL PL. 70 μ" THICK OVER COPPER STRIKE
- GOLD PL 1-30" OVER NICKEL PL 70 μ" THICK OVER COPPER STRIKE



No	Description	Material	Finish
5	Ferrule	Brass	Nickel
4	Shell	Brass	Nickel
3	Insulator	Teflon	White
2	Contact	Brass	Gold
1	Body	Brass	Nickel
No	Description	Material	Finish



- Recommended Cable Stripping
- 1: CRIMPED CONTACT  
HEX CRIMP SIZE: .068"
  - 2: CRIMPED FERRULE  
HEX CRIMP SIZE: .213"