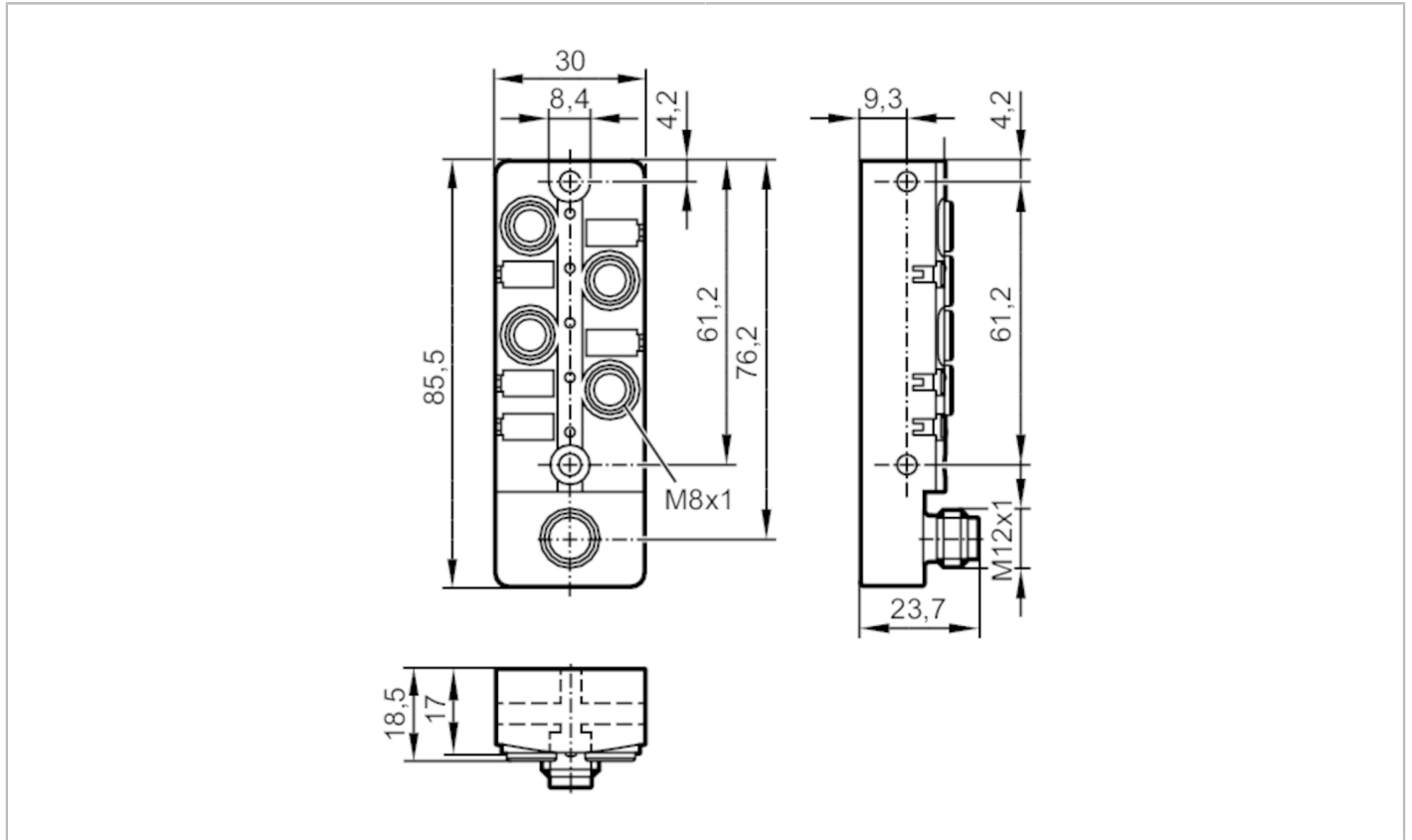


# AL2410



## IO-Link CompactLine module

IO-Link module 4 DI M8 IP 67



### Electrical data

Operating voltage	[V]	18...30 DC; ("supply class 2" to cULus)
Current consumption	[mA]	50
Sensor supply US		
Current rating per port	[A]	0.1

### Inputs / outputs

Number of inputs and outputs	Number of digital inputs: 4
------------------------------	-----------------------------

### Inputs

Number of digital inputs	4	
Input circuit of digital inputs	PNP	
Input current limitation	[mA]	15
Input current High	[mA]	6...10
Input current Low	[mA]	0...2
Min. switching level high signal	[V]	11
Digital inputs protected against short circuits		yes

### Interfaces

Communication interface	IO-Link
-------------------------	---------

# AL2410



## IO-Link CompactLine module

IO-Link module 4 DI M8 IP 67

IO-Link Device	
Transmission type	COM2 (38,4 kBaud)
IO-Link revision	1.1
SDCI standard	IEC 61131-9
IO-Link device ID	0x000315
SIO mode	no
Process data binary	32
Min. process cycle time [ms]	2.9

Operating conditions	
Ambient temperature [°C]	-25...70
Storage temperature [°C]	-25...85
Max. relative air humidity [%]	90; (non condensing)
Protection	IP 67

Tests / approvals	
EMC	EN 61000-6-2
	EN 61000-6-3
	IEC 61131-9

Mechanical data	
Weight [g]	144.2
Materials	PBT; socket: brass nickel-plated; O-ring: FKM

Displays / operating elements		
Display	operation	LED, green
	errors	LED, red
	function	LED, yellow

Accessories	
Accessories (supplied)	panel for labelling Protective caps: 2
Accessories (optional)	Protective cap: M8, E73005

Remarks	
Remarks	For use in NFPA 79 applications only The device is to be operated to IO-Link specification V1.1.2. The maximum cable length of the IO-Link cable is 20 m.
Pack quantity	1 pcs.

Electrical connection - IO-Link	
	IO-Link
1	L +
2	not used
3	L -
4	C/Q / IO-Link

Connector: 1 x M12

# AL2410



## IO-Link CompactLine module

IO-Link module 4 DI M8 IP 67



### Electrical connection - Inputs

	Inputs X1.0...X1.3
1	Sensor supply +24 V
3	Sensor supply -
4	data input

Connector: 4 x M8

