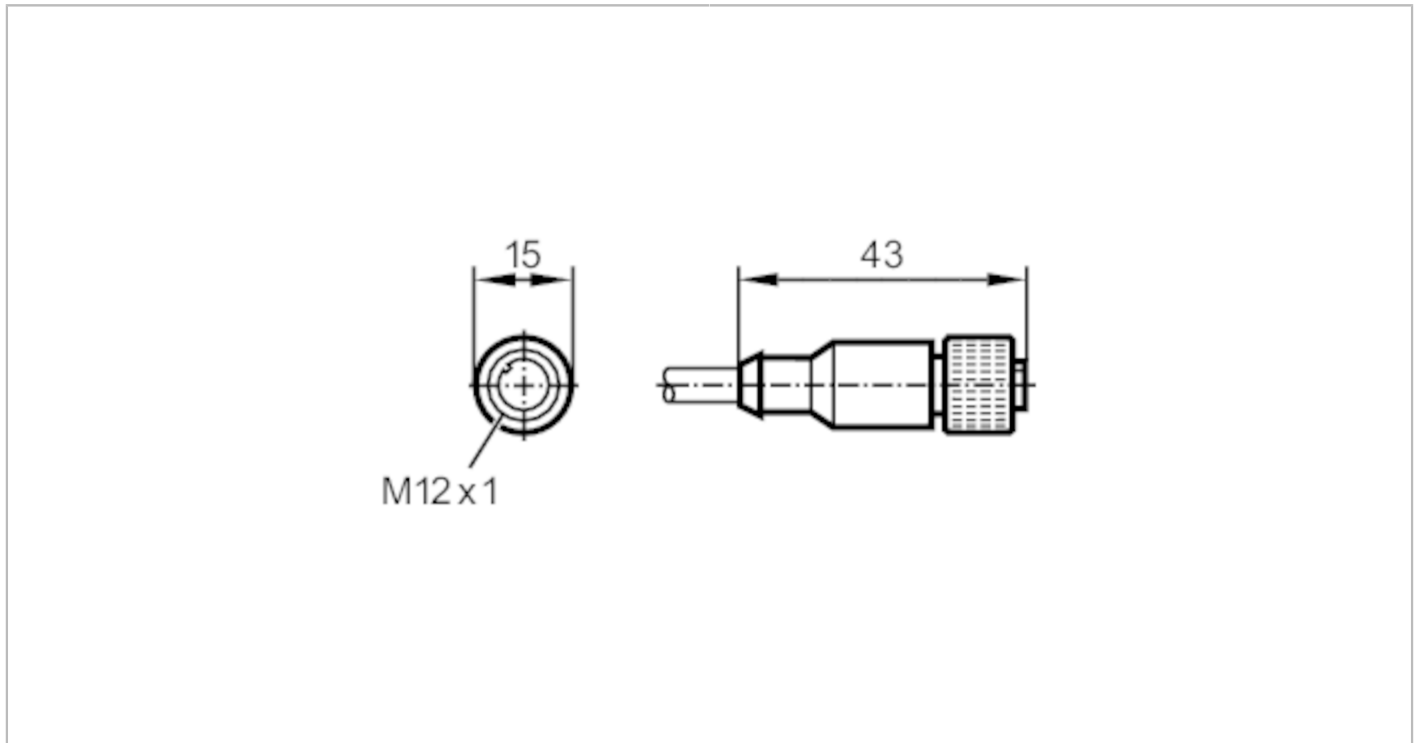


E12167



Connecting cable with socket

ADOGH080MSS0010B08



Electrical data

Operating voltage	[V]	< 30 AC / < 36 DC
Max. current load total	[A]	2

Operating conditions

Ambient temperature	[°C]	-40...80
Protection		IP 67

Mechanical data

Weight	[g]	537.5
Dimensions	[mm]	15 x 15 x 43
Materials		Housing: TPU black
Material nut		brass, nickel-plated

Remarks

Notes	For 8-pole sockets the core colours are not standardised.; Please note the wiring of the sensor and the sockets (see data sheet).
Pack quantity	1 pcs.

Electrical connection

Cable: 10 m, PUR, black; 8 x 0.25 mm² (32 x Ø 0.1 mm)

Electrical connection - socket

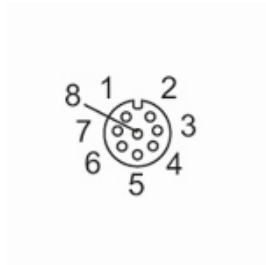
Connector: 1 x M12, straight; Moulded body: TPU; Locking: brass, nickel-plated; Tightening torque: 1...1.5 Nm

E12167



Connecting cable with socket

ADOGH080MSS0010B08



Connection

1	WH
2	BN
3	GN
4	YE
5	GY
6	PK
7	BU
8	RD

colours to DIN
47100

Core colours :

BN =	brown
BU =	blue
GN =	green
GY =	grey
PK =	pink
RD =	red
WH =	white
YE =	yellow