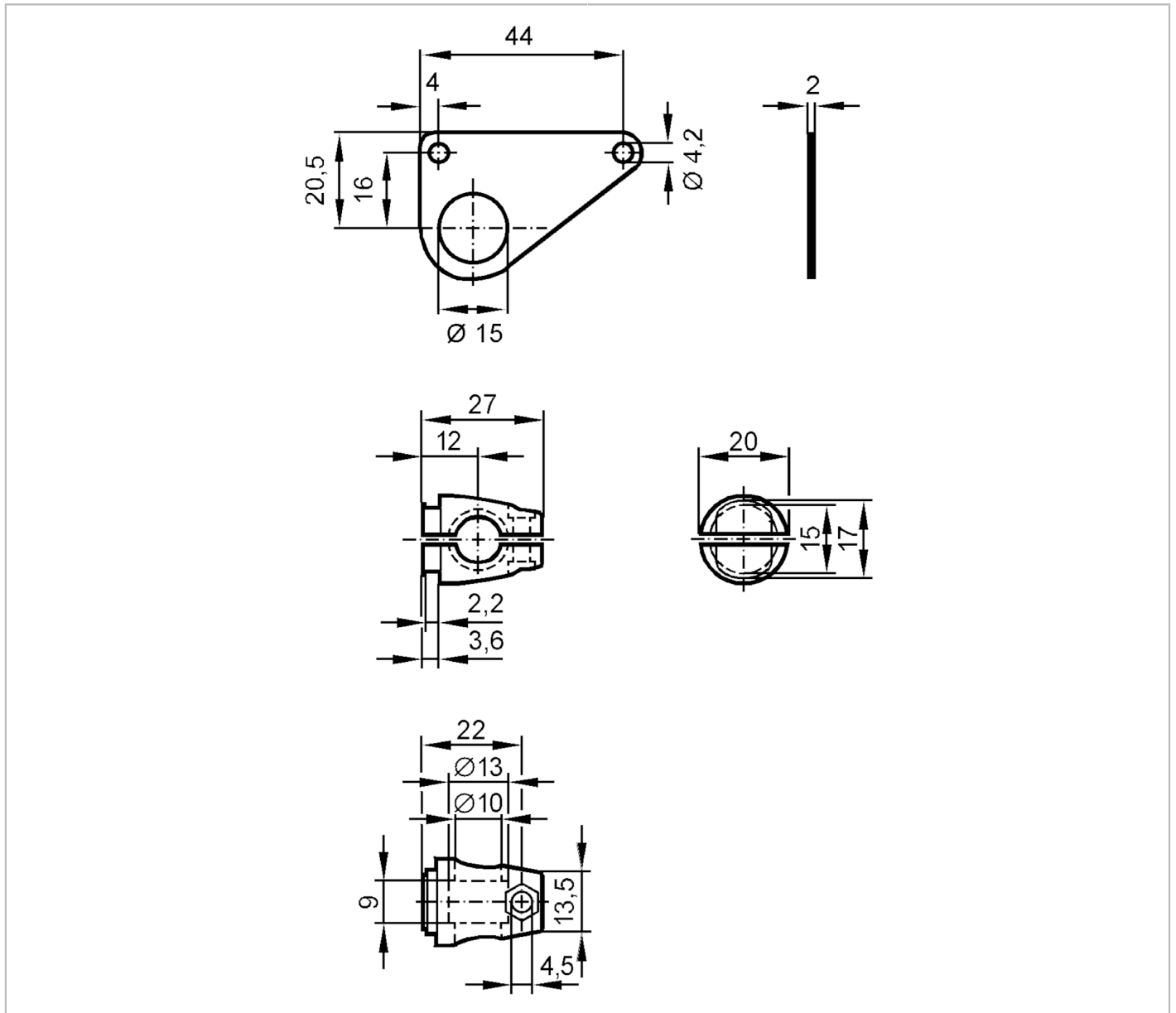


# E20884



## Mounting set for photoelectric sensors

SYSTEM COMPONENT OU BOLT



Application	
Design	clamp mounting
Mechanical data	
Weight [g]	97.5
Type of mounting	free-standing; (M8)
Materials	fixture: stainless steel (1.4571/316Ti); Clamp: stainless steel (1.4408)
Accessories	
Accessories (supplied)	screw: 1 x M8 x 40
Remarks	
Pack quantity	1 pcs.