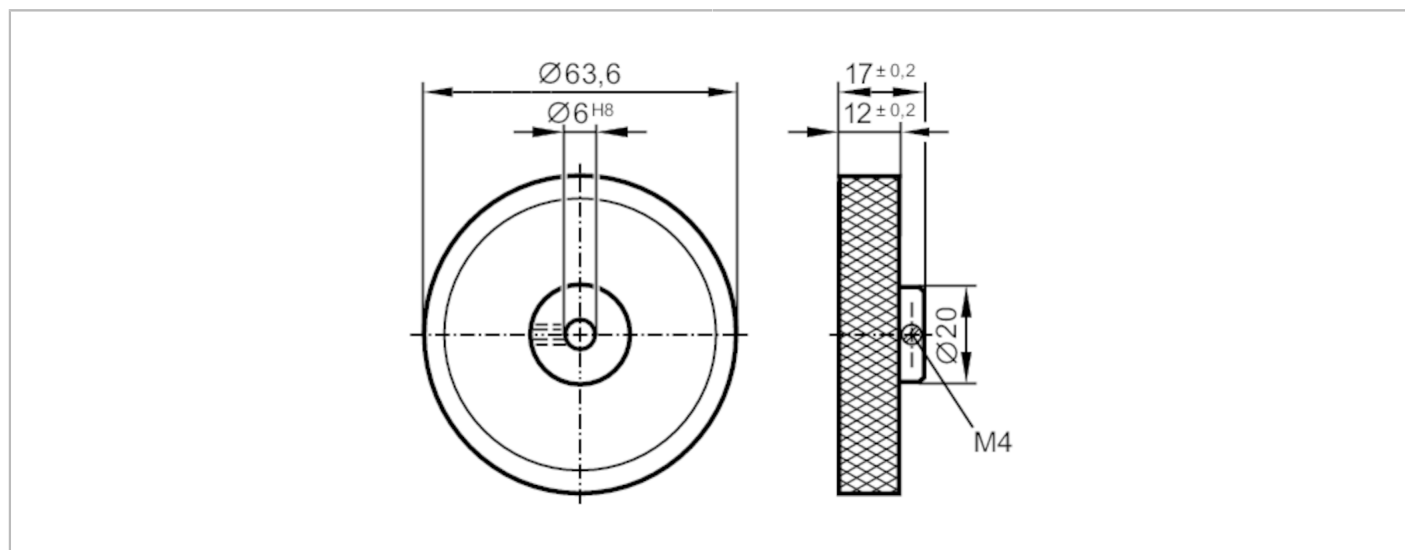


# E60006



## Measuring wheel

MEASURING WHEEL U:200 N:06



| Application              |  |
|--------------------------|--|
| Design                   | cross-knurl  |
| Operating conditions     |  |
| Ambient temperature [°C] | -30...80   |
| Mechanical data          |  |
| Weight [g]               | 66.8   |
| Inside diameter [mm]     | 6  |
| External diameter [mm]   | 63.6   |
| Materials                | wheel: aluminium; surface characteristics: aluminium |
| Circumference [mm]       | 200  |
| Remarks                  |  |
| Pack quantity            | 1 pcs.   |