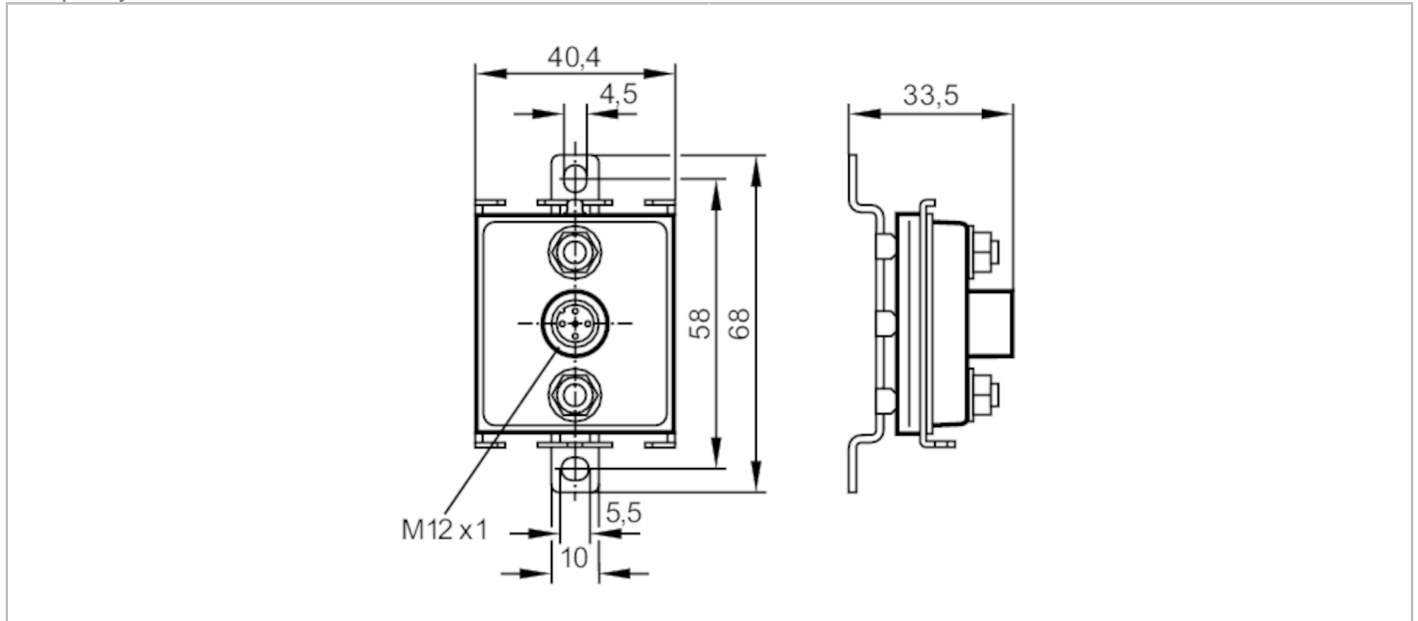


E7354A



AS-Interface flat cable insulation displacement connector

FCE Splitter ye/bk II 3D/3G



Electrical data	
Operating voltage [V]	24 DC; (to PELV)
Protection class	III
Max. current load total [A]	2
Outputs	
Electrical design	AS-i
Operating conditions	
Ambient temperature [°C]	0...60
Protection	IP 67; (outside hazardous areas: IP 68 / IP 69K)
Tests / approvals	
ATEX marking	<div style="display: flex; align-items: center;"> ⊕ II 3G Ex nA II T6 Gc X </div> <div style="display: flex; align-items: center; margin-top: 5px;"> ⊕ II 3D Ex tc IIIC T 70°C Dc X </div>
Mechanical data	
Weight [g]	145
Materials	metal parts: stainless steel (1.4404 / 316L); rubber gasket for contact pins: FKM; Sealing: EPDM
Accessories	
Accessories (optional)	Torque wrench:, E70390
Remarks	
Remarks	Use M12 connectors with hexagon nuts, tightening torque 0.8 Nm.
Pack quantity	1 pcs.

E7354A



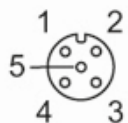
AS-Interface flat cable insulation displacement connector

FCE Splitter ye/bk II 3D/3G

Electrical connection - socket

1	AS-i +
2	0 V
3	AS-i -
4	+ 24 V
5	n. c.

Connector: 1 x M12



Connection