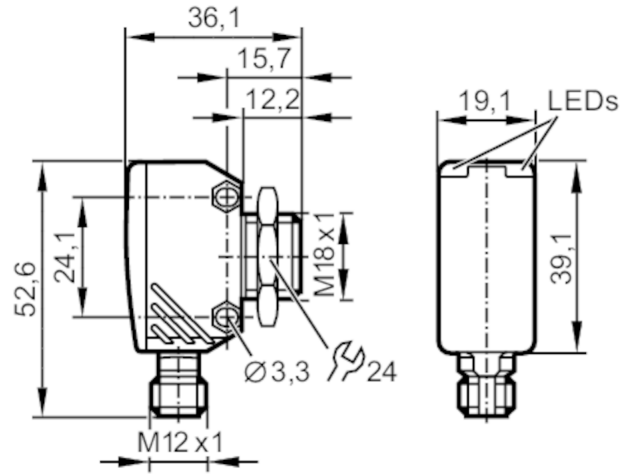


OGS280



Through-beam sensor transmitter

OGS-00KG/US/CUBE



transmitter in lower lens
receiver in upper lens



Product characteristics

Type of light	red light
Communication interface	IO-Link
Housing	rectangular
Dimensions [mm]	M18

Application

Function principle	Through-beam sensor
--------------------	---------------------

Electrical data

Operating voltage [V]	10...30 DC; ("supply class 2" to cULus)
Voltage rating [V]	32
Current consumption [mA]	17
Protection class	III
Reverse polarity protection	yes
Max. power-on delay time [ms]	300
Type of light	red light
Wave length [nm]	662

Detection zone

Transmitter / receiver	transmitter
Range [m]	20
Max. light spot diameter [mm]	800
Light spot dimensions refer to	at maximum range

OGS280



Through-beam sensor transmitter

OGS-OOKG/US/CUBE

Interfaces		
Communication interface	IO-Link	
Transmission type	COM2 (38,4 kBaud)	
IO-Link revision	1.1	
SDCI standard	IEC 61131-9	
IO-Link device ID	1135 d / 00 04 6F h	
Profiles	Smart Sensor: Device Identification, Device Diagnosis	
SIO mode	no	
Required master port type	A	
Min. process cycle time [ms]	2.5	
IO-Link functions (cyclical)	function	bit length
	device status	4
IO-Link functions (acyclical)	application specific tag; operating hours counter	
Note	For further information please see the IODD PDF file at "Downloads"	
Operating conditions		
Ambient temperature [°C]	-25...60	
Storage temperature [°C]	-40...60	
Protection	IP 67	
Tests / approvals		
EMC	EN 60947-5-2	
MTTF [years]	1011	
UL approval	Ta	-25...60 °C
	Enclosure type	Type 1
	voltage supply	Class 2
	File number UL	E174191
Mechanical data		
Weight [g]	68.2	
Housing	rectangular	
Dimensions [mm]	M18	
Thread designation	M18	
Materials	diecast zinc; PEI	
Lens material	PMMA	
Displays / operating elements		
Display	operation	1 x LED, green
Accessories		
Accessories (supplied)	lock nut: 1 x	
Remarks		
Pack quantity	1 pcs.	
Electrical connection		
Connector: 1 x M12		

OGS280

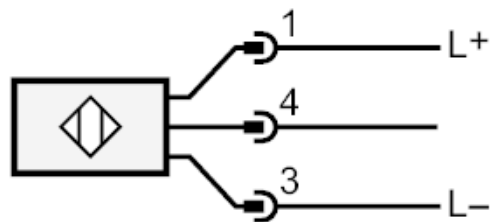


Through-beam sensor transmitter

OGS-00KG/US/CUBE



Connection





Through-beam sensor transmitter

OGS-00KG/US/CUBE

Diagrams and graphs

excess gain graph

