

MST 1-PHASE CONTROL AND ISOLATION TRANSFORMER

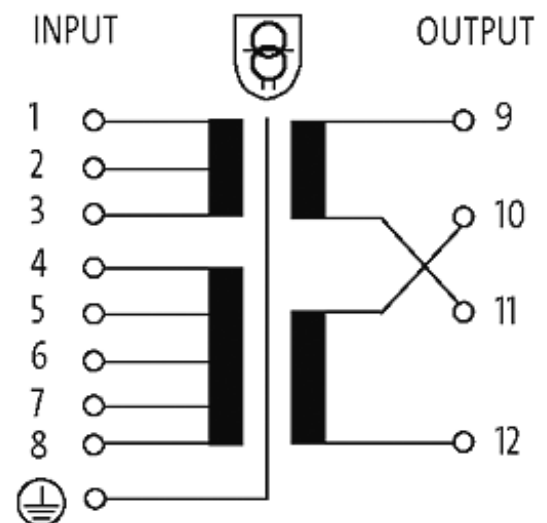
P: 250VA IN: 208...550VAC OUT: 2x115VAC

Single-phase - Control and Isolation Transformers
250 VA
Isolation class T 40/B

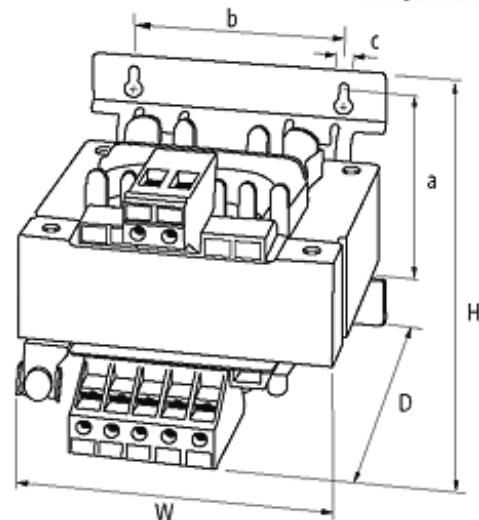
Other voltages on request.

[Link to Product](#)

Illustration



stay connected



Product may differ from Image

Approvals



Input

Input voltage	208, 230, 380, 400, 420, 440, 460, 480, 500, 525, 550 V AC
Input current	1.36 A (208 V AC); 0.51 A (550 V AC)
Inrush current	26 A (208 V AC); 9.6 A (550 V AC)
Short-circuit current	25 A (208 V AC); 9.2 A (550 V AC)
Frequency	50...60 Hz

General data

Standards	(EN 61558-1), (EN 61558-2-4), (EN 62041 category 0)
Test isolation voltage	4 kV (prim./sec.)
Mounting method	Key-hole mounting
Fixing centers a × b × c	74.4×90 mm
Drill hole Ø	5.8×10 mm
Dimensions H × W × D	104×120×122 mm
Temperature range	-20...+40 °C, no condensation

Output

Output voltage	2 × 115 V AC/230 V AC
----------------	-----------------------

Commercial data

country of origin	CZ
customs tariff number	85043180
minimum order quantity	1