



CIRCUIT-BREAKER, SIZE S00 FOR MOTOR PROTECTION, CLASS 10, A REL.0.14...0.2A, N REL.2.6A, SCREW CONNECTION, STANDARD BREAKING CAPACITY W. TRANSV. AUX. SWITCH 1NO/1NC

Figure similar

| | | |
|-----------------------|--|----------------------|
| product brand name | | SIRIUS |
| Product designation | | circuit breaker |
| Design of the product | | for motor protection |

General technical data:

| | | |
|---------------------------------------------------|---|-------------|
| Active power loss total typical | W | 5 |
| Shock resistance | | 25g / 11 ms |
| Surge voltage resistance Rated value | V | 6 000 |
| Mechanical service life (switching cycles) | | |
| • of the main contacts typical | | 100 000 |
| Protection class IP | | |
| • on the front | | IP20 |
| Equipment marking | | |
| • acc. to DIN EN 61346-2 | | Q |

Main circuit:

| | | |
|------------------------------------------------------------------------------------|---|--------------|
| Number of poles for main current circuit | | 3 |
| Adjustable response value current of the current-dependent overload release | A | 0.14 ... 0.2 |
| Operating voltage | | |
| • Rated value | V | 690 |
| • at AC-3 Rated value maximum | V | 690 |
| Operating current | | |
| • at AC-3 | | |
| — at 400 V Rated value | A | 0.2 |
| Operating power | | |
| • at AC-3 | | |

| | | |
|----------------------------|-----|------|
| — at 400 V Rated value | kW | 0.06 |
| Operating frequency | | |
| • at AC-3 maximum | 1/h | 15 |

Auxiliary circuit:

| | | |
|-------------------------------------------------------------|---|------------|
| Number of CO contacts | | |
| • for auxiliary contacts | | 0 |
| Product expansion Auxiliary switch | | Yes |
| Design of the auxiliary switch | | transverse |
| Operating current of the auxiliary contacts at AC-15 | | |
| • at 24 V | A | 2 |
| • at 230 V | A | 0.5 |
| Operating current of the auxiliary contacts at DC-13 | | |
| • at 24 V | A | 1 |
| • at 60 V | A | 0.15 |

Protective and monitoring functions:

| | | |
|--------------------------------------------------------------|----|----------|
| Trip class | | CLASS 10 |
| Maximum short-circuit current breaking capacity (Icu) | | |
| • with AC at 240 V Rated value | kA | 100 |
| • with AC at 400 V Rated value | kA | 100 |
| • with AC at 500 V Rated value | kA | 100 |
| • with AC at 690 V Rated value | kA | 100 |

Short-circuit:

| | | |
|--------------------------------------------------------------------|--|----------------|
| Design of the overcurrent release and short-circuit release | | thermomagnetic |
|--------------------------------------------------------------------|--|----------------|

Installation/ mounting/ dimensions:

| | | |
|------------------------------|----|----------------------------------------------------------------------------------------|
| mounting position | | any |
| Mounting type | | screw and snap-on mounting onto 35 mm standard mounting rail according to DIN EN 50022 |
| Height | mm | 90 |
| Width | mm | 45 |
| Depth | mm | 81 |
| Required spacing | | |
| • with side-by-side mounting | | |
| — Backwards | mm | 0 |
| — at the side | mm | 0 |

Connections/ Terminals:

| | | |
|----------------------------------------------------------------------|--|----------------------|
| Type of electrical connection | | |
| • for main current circuit | | screw-type terminals |
| • for auxiliary and control current circuit | | screw-type terminals |
| Arrangement of electrical connectors for main current circuit | | front side |

| | | |
|--------------------------------------------------------------------------------------------------------------------------------------------------------------------------------------------------------------------------------------------------------------------------------------------------------------------------------------------------------------------------------------------------------------------------------------------------------|--|-------------------------------------------------------------------------------------------------------------------------------------------------------------------------------------------------------------------------------------------------------------------------------------------------------------------------------------------------------------------------------------------------------------------|
| Product function | | No |
| <ul style="list-style-type: none"> removable terminal for auxiliary and control circuit | | |
| Type of connectable conductor cross-section | | |
| <ul style="list-style-type: none"> for main contacts <ul style="list-style-type: none"> — solid — stranded — finely stranded with core end processing for AWG conductors for main contacts for auxiliary contacts <ul style="list-style-type: none"> — solid — finely stranded with core end processing for AWG conductors for auxiliary contacts | | 2x (0.5 ... 1.5 mm ²), 2x (0.75 ... 2.5 mm ²) 2x (0.5 ... 1.5 mm ²), 2x (0.75 ... 2.5 mm ²) 2x (0.5 ... 1.5 mm ²), 2x (0.75 ... 2.5 mm ²) 2x (18 ... 14) 2x (0.5 ... 1.5 mm ²), 2x (0.75 ... 2.5 mm ²) 2x (0.5 ... 1.5 mm ²), 2x (0.75 ... 2.5 mm ²) 2x (18 ... 14) |

Safety related data:

| | | |
|--------------------------------------------|--|-------------|
| Protection against electrical shock | | finger-safe |
|--------------------------------------------|--|-------------|

Mechanical data:

| | | |
|------------------------------------|--|-----|
| Size of the circuit-breaker | | S00 |
|------------------------------------|--|-----|

Ambient conditions:

| | | |
|----------------------------------------------------------------------------------------------------------------------|----------------|-------------------------------------------|
| Installation altitude at height above sea level maximum | m | 2 000 |
| Ambient temperature | | |
| <ul style="list-style-type: none"> during operation during storage during transport | °C °C °C | -20 ... +60 -50 ... +80 -50 ... +80 |

Certificates/ approvals:

| | | |
|--------------------------|-------------------|-------------------|
| General Product Approval | Test Certificates | Shipping Approval |
|--------------------------|-------------------|-------------------|



[Special Test Certificate](#)



| |
|-------------------|
| Shipping Approval |
|-------------------|



| |
|-------|
| other |
|-------|

[Environmental Confirmations](#)

[Confirmation](#)

[Declaration of Conformity](#)



[other](#)

| |
|---------------------|
| Further information |
|---------------------|

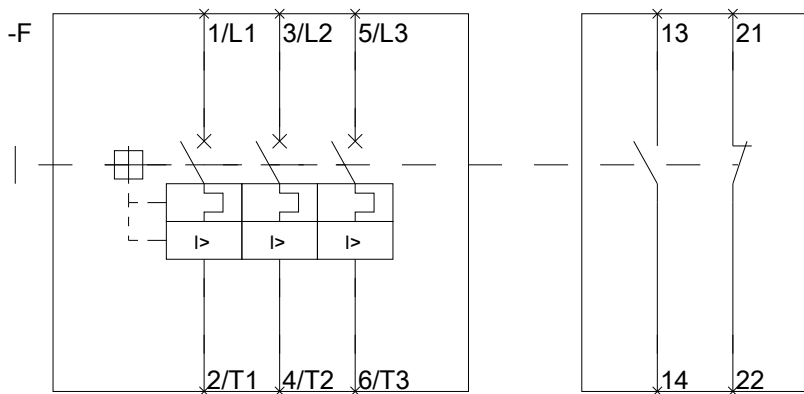
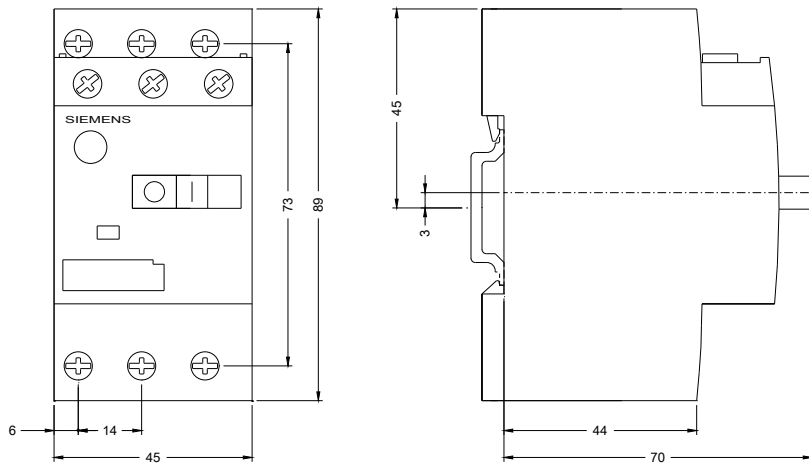
Information- and Downloadcenter (Catalogs, Brochures,...)
<http://www.siemens.com/industrial-controls/catalogs>

Industry Mall (Online ordering system)
<http://www.siemens.com/industrymall>

Cax online generator
<http://support.automation.siemens.com/WW/CAXorder/default.aspx?lang=en&mlfb=3RV10110BA15>

Service&Support (Manuals, Certificates, Characteristics, FAQs,...)
<http://support.automation.siemens.com/WW/view/en/3RV10110BA15/all>

Image database (product images, 2D dimension drawings, 3D models, device circuit diagrams, EPLAN macros, ...)
http://www.automation.siemens.com/bilddb/cax_de.aspx?mlfb=3RV10110BA15&lang=en



last modified:

11.03.2015