

SIDE MOUNTED ROTARY OPERATOR EMERGENCY-STOP IEC IP65 ACCESSORY FOR: 3VA2 400/630



Figure similar

Model		
product brand name		SENTRON
Design of handle		red-yellow
Protection class IP		IP65

Product details		
Product component / axis extension		Yes
Product property / lockable		Yes

Accessories		
accessories		Side panel rotary operating mechanism
Height	mm	93.5

General Product Approval	EMC	Declaration of Conformity	other
	<a href="#">other</a>		<a href="#">other</a>



[other](#)



EG-Konf.

[other](#)

### Further information

**Information- and Downloadcenter (Catalogs, Brochures,...)**

<http://www.siemens.com/lowvoltage/catalogs>

**Industry Mall (Online ordering system)**

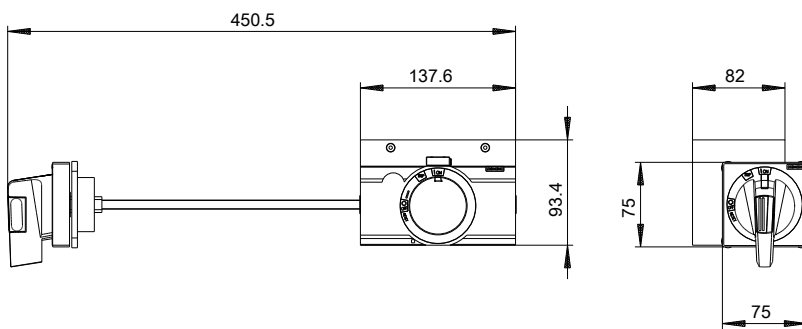
<https://eb.automation.siemens.com/mall/en/WW/Catalog/Product/3VA94670PK15>

**Service&Support (Manuals, Certificates, Characteristics, FAQs,...)**

<http://support.automation.siemens.com/WW/view/en/3VA94670PK15/all>

**Image database (product images, 2D dimension drawings, 3D models, device circuit diagrams, ...)**

[http://www.automation.siemens.com/bilddb/cax\\_en.aspx?mlfb=3VA94670PK15](http://www.automation.siemens.com/bilddb/cax_en.aspx?mlfb=3VA94670PK15)



last modified:

16.03.2015