

# Headset Condenser Microphone with Hirose 4 Pin

**PULSE**



## Description

A compact unobtrusive lightweight design headset microphone for using with beltpack transmitters.

## Features

- Telescopic microphone boom
- Microphone boom can be fitted on either side
- Highly sensitive condenser microphone
- Wide transmission range
- Excellent ambient noise control
- Different connector types available
- Supplied with windshield/pop noise head
- Light beige colour

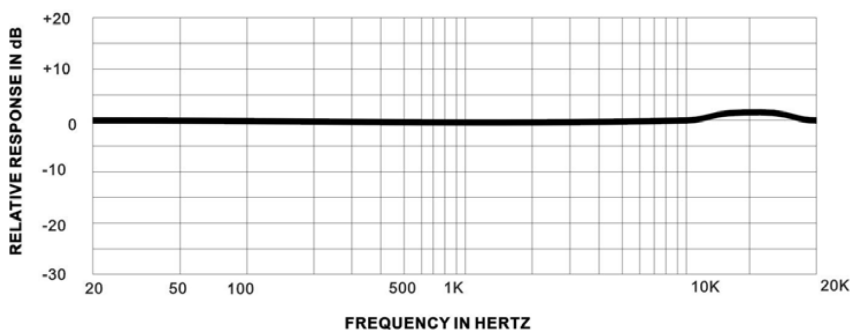
## Specifications

|                             |   |
|-----------------------------|---|
| Element                     | : Electret Condenser  |
| Directional Characteristics | : Omni-directional  |
| Frequency                   | : 20Hz to 20,000Hz  |
| Impedance                   | : $1500\Omega \pm 30\%$ (at 1000Hz)   |
| Sensitivity                 | : $-67\text{dB} \pm 3\text{dB}$ (0db=1 V/microbar 1000Hz indicated by open circuit) |
| Operating Voltage           | : DC 1V to 10V (RL=2.2k $\Omega$ )  |
| Max. Input Sound Level      | : 115dB SPL, 1kHz at 1%T.H.D  |

## Mechanical

|           |  |
|-----------|--|
| Dimension | : $\varnothing 4 \times 11\text{mm}$ (Capsule Housing)                   |
| Boom      | : $\varnothing 1 \times 150\text{mm}$                                    |
| Wire      | : $\varnothing 1.5 \times 1.3\text{m}$ with 4 Pin Hirose Audio Technical |
| Weight    | : 23g  |

## Frequency Response Curve



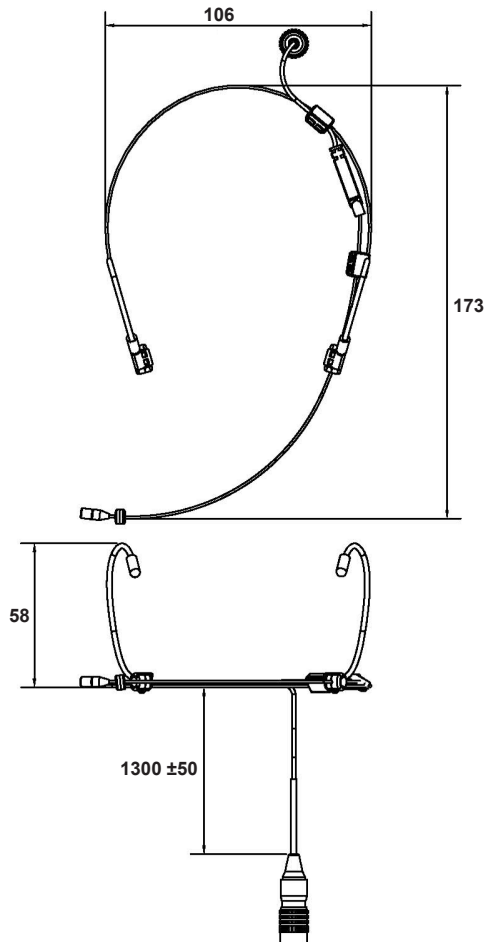
Newark.com/b/Pulse  
Farnell.com/b/Pulse  
sg.element14.com/b/pulse

**PULSE**

# Headset Condenser Microphone with Hirose 4 Pin

**PULSE**

## Diagram



Dimensions : Millimetres

## Part Number Table

| Description                                    | Part Number |
|--|-------------|
| Headset Condenser Microphone with Hirose 4 Pin | MIC-3000HRS |

**Important Notice :** This data sheet and its contents (the "Information") belong to the members of the AVNET group of companies (the "Group") or are licensed to it. No licence is granted for the use of it other than for information purposes in connection with the products to which it relates. No licence of any intellectual property rights is granted. The Information is subject to change without notice and replaces all data sheets previously supplied. The Information supplied is believed to be accurate but the Group assumes no responsibility for its accuracy or completeness, any error in or omission from it or for any use made of it. Users of this data sheet should check for themselves the Information and the suitability of the products for their purpose and not make any assumptions based on information included or omitted. Liability for loss or damage resulting from any reliance on the Information or use of it (including liability resulting from negligence or where the Group was aware of the possibility of such loss or damage arising) is excluded. This will not operate to limit or restrict the Group's liability for death or personal injury resulting from its negligence. PULSE is the registered trademark of Premier Farnell Limited 2019.

Newark.com/b/Pulse  
Farnell.com/b/Pulse  
sg.element14.com/b/pulse

**PULSE**