

59250 ✓ ACTIVE

AMP

TE Internal #: 59250

Hand Crimping Tools, Premium Crimp Tooling, Not Releasable, Not Adjustable, Fixed In Tool, MIL Spec / TE Product Specification (114-)

[View on TE.com >](#)



Application Tooling > Hand Crimping Tools



Tool Grade: Premium Crimp Tooling

Ratchet Configuration: Not Releasable, Not Adjustable

Die Sets Type: Fixed In Tool

Specification Type: MIL Spec, TE Product Specification (114-)

TE Certification: Yes – Certificate Included

Features

Other

Crimp Form-Wire Barrel Type	Closed Barrel - Confined Crescent
Tool Grade	Premium Crimp Tooling
Ratchet Configuration	Not Releasable, Not Adjustable
Die Sets Type	Fixed In Tool
Specification Type	MIL Spec, TE Product Specification (114-)
TE Certification	Yes – Certificate Included
Power Technology Type	Battery, Manual
Tooling Type	T Head Hand Tool

Product Compliance

[For compliance documentation, visit the product page on TE.com>](#)

EU RoHS Directive 2011/65/EU	Out of Scope
EU ELV Directive 2000/53/EC	Out of Scope
China RoHS 2 Directive MIIT Order No 32, 2016	No Restricted Materials Above Threshold
EU REACH Regulation (EC) No. 1907/2006	Current ECHA Candidate List: JAN 2023 (233) Candidate List Declared Against: JUL 2021 (219) Does not contain REACH SVHC

Halogen Content

Low Halogen - Br, Cl, F, I < 900 ppm per homogenous material. Also BFR/CFR/PVC Free

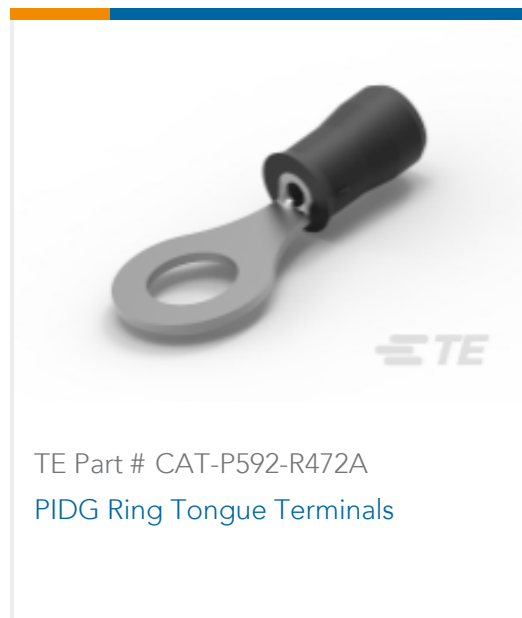
Solder Process Capability

Not applicable for solder process capability

Product Compliance Disclaimer

This information is provided based on reasonable inquiry of our suppliers and represents our current actual knowledge based on the information they provided. This information is subject to change. The part numbers that TE has identified as EU RoHS compliant have a maximum concentration of 0.1% by weight in homogenous materials for lead, hexavalent chromium, mercury, PBB, PBDE, DBP, BBP, DEHP, DIBP, and 0.01% for cadmium, or qualify for an exemption to these limits as defined in the Annexes of Directive 2011/65/EU (RoHS2). Finished electrical and electronic equipment products will be CE marked as required by Directive 2011/65/EU. Components may not be CE marked. Additionally, the part numbers that TE has identified as EU ELV compliant have a maximum concentration of 0.1% by weight in homogenous materials for lead, hexavalent chromium, and mercury, and 0.01% for cadmium, or qualify for an exemption to these limits as defined in the Annexes of Directive 2000/53/EC (ELV). Regarding the REACH Regulation, the information TE provides on SVHC in articles for this part number is based on the latest European Chemicals Agency (ECHA) 'Guidance on requirements for substances in articles' posted at this URL: <https://echa.europa.eu/guidance-documents/guidance-on-reach>

Compatible Parts

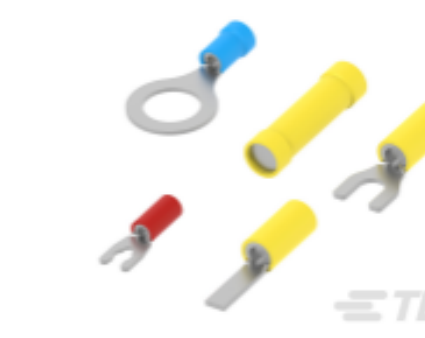




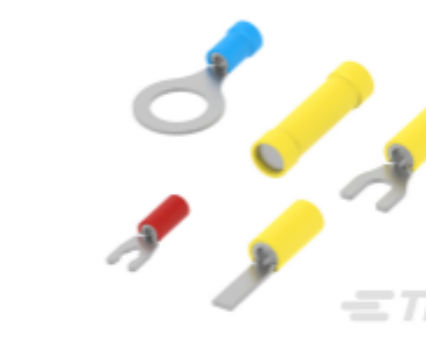
TE Part # CAT-P592-R2456
PIDG Rectangular Tongue Terminals



TE Part # 34313
PIDG HK 22-16 COMM 22-18 MIL 6



TE Part # CAT-EN85-T273
Ring Tongue Terminals, Vinyl, Insulated



TE Part # CAT-EN85-T273A
Spade Terminals, Vinyl Insulated



TE Part # 8-31880-1
PIDG R 22-16 COMM 22-18 MIL 4



TE Part # 8-34148-1
PG R 22-16 COMM 22-18 MIL 8



TE Part # 324227
PG SHUR PLUG 16-14



TE Part # 66023-2
TAB,PIDG TERMI-BK 22-16

Customers Also Bought



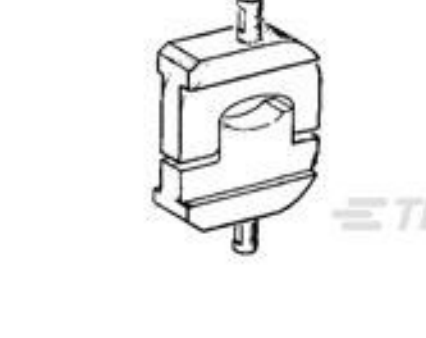
TE Part #49935
DAHT SOLIS 22-10 ASSY



TE Part #47386
DAHT PG PIDG 26-16 ASSY



TE Part #1734510-1
MINI USB, TYPE B, R/A, T/H



TE Part #45433
HYP8/10 SOLIS 2AWG DIE SET



TE Part #46988
DAHT STRATO 16-14 ASSY



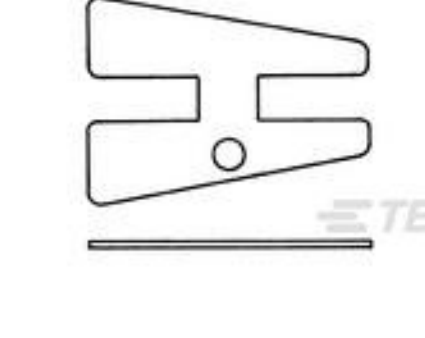
TE Part #959025-000
AD-1377-S-SPEC-CRIMP-TOOL




TE Part #90166-1
DAHT 250 FASTON REC 22-18 ASSY



TE Part #45219-2
DAHT AMP CLOSED END SPLICES 22-10 ASSY



TE Part #699016-000
D-659-0001



TE Part #993938-000
AT-1319-19

Documents



Product Drawings

[T-HEAD PIDG 26-14 ASSY](#)

English

Datasheets & Catalog Pages

[Bottoming Dies](#)

English

[PIDG TERMINALS & SPLICES Quick Reference Guide](#)

English

Instruction Sheets

[Instruction Sheet \(U.S.\)](#)

English

[Instruction Sheet \(U.S.\)](#)

English