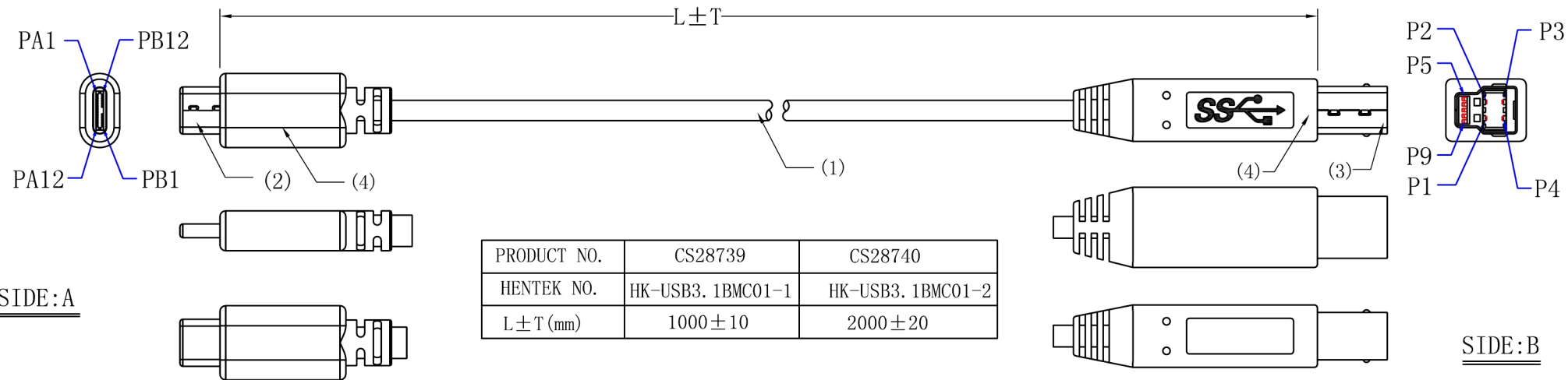


CUSTOMER	CPC
PRODUCT NO.	CS287**Series
HENTEK NO.	HK-USB3.1BMC01-*Series



SIDE:A

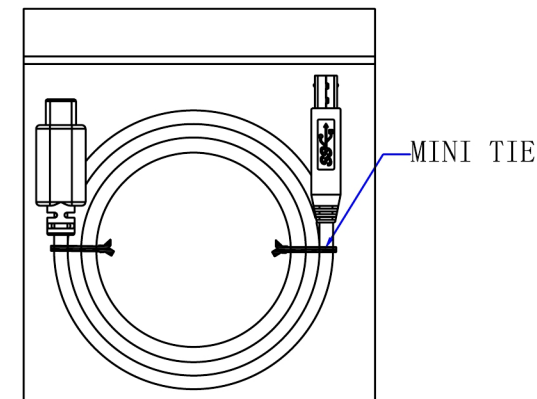
SIDE:B

PRODUCT NO.	CS28739	CS28740
HENTEK NO.	HK-USB3.1BMC01-1	HK-USB3.1BMC01-2
$L \pm T$ (mm)	1000 ± 10	2000 ± 20

NOTE:

- Cable Spec: (30AWG*1P+DAM)*2+30AWG*1P+28AWG*2C
Jacket Material:PVC OD: 4.6 ± 0.2 mm
Colour: Black
- Connector A: USB3.1 C MALE Solder type
Insulation:Black
Contacts:Gold Plated
Shell:Nickel Plated
- Connector B: USB3.1 B MALE Solder type
Insulation:Blue
Contacts:Gold Plated
Shell:Nickel Plated
- Over Mold Colour: PVC-Black
- Parameter Settings: CT-8681FA
1. Insulation Resistance: $5M \Omega$ (MIN.)
2. Conductive Resistance: 2.0Ω (MAX.)
- 100% OPEN, SHORT&MISWIRE TEST
- PACKING:PEBAG PACKING.

<u>SIDE:A</u>		<u>SIDE:B</u>
USB CM		USB BM
A4+B4+A9+B9	red	1
A6	white	3
A7	green	2
A1+B1+A12+B12	black	4+7
A2	blue	9
A3	yellow	8
A1+B1+A12+B12	drain	4+7
B10	orange	5
B11	purple	6
A1+B1+A12+B12	drain	4+7
Shell	braid	Shell



PACKING: (7)

PIN OUT: (5)

GENERAL TOLERANCES (UNLESS SPECIFIED)							
LENGTH: X. ± 1 . X ± 0.2 . XX ± 0.10		UNIT:mm	REV:0/A			NAME	USB3.1 C MALE/B MALE
ANGLE: X° . $\pm 1^\circ$. X° $\pm 0^\circ 30'$		DRAWING	XIAODENG	2015/5/21	S. P. NO.	HT-6490	
		CHECK			P. O. NO.		DWG. NO.
		APPROVE			SIZE		PAGE
							1/1

00	NEW	2015/5/21
REV	DESCRIPTION	DATE