



# Product Change Notification



Product Group: TC/Thu Mar 3, 2022/PCN-TC-006-2021-REV-0

## Carrier tape width change for TL8, B0 case

**DESCRIPTION OF CHANGE:** Change carrier tape width from 12mm to 8mm for TL8, B0 case capacitors

**REASON FOR CHANGE:** 1. Unify tape width for case size 1411 (3528) manufactured in various production series.  
2. Allow to use same automatic taping equipment dedicated for 8 mm tapes.

**EXPECTED INFLUENCE ON QUALITY/RELIABILITY/PERFORMANCE:** No influence

**PART NUMBERS/SERIES/FAMILIES AFFECTED:** TL8B0336M016C, TL8B0336M020C, TL8B0476M010C,

**VISHAY BRAND(s):** Vishay Sprague

**TIME SCHEDULE:**

Start Shipment Date: Mon Jun 6, 2022

**SAMPLE AVAILABILITY:** Upon Request

**PRODUCT IDENTIFICATION:** Per product part number

**QUALIFICATION DATA:** Upon Request

**This PCN is considered approved, without further notification, unless we receive specific customer concerns before Mon Jun 6, 2022 or as specified by contract.**

**ISSUED BY:** Iliia Litvachuck, ilia.litvachuck@vishay.com

**For further information, please contact your regional Vishay office.**

**CONTACT INFORMATION:**

**Americas**

David Bellomy  
7557 Rambler Road, Suite 575  
Dallas TX United States 75231-4142  
David.Bellomy@vishay.com  
Phone: (254)479-0010  
Fax: +1 214-363-9444

**Europe**

Thomas Poessnecker  
Dr.-Felix-Zandman-Platz 1  
Selb Germany 95100  
Thomas.Poessnecker@vishay.com  
Phone: + 49 9287 712 595  
Fax: + 49 9287 712 274

**Asia**

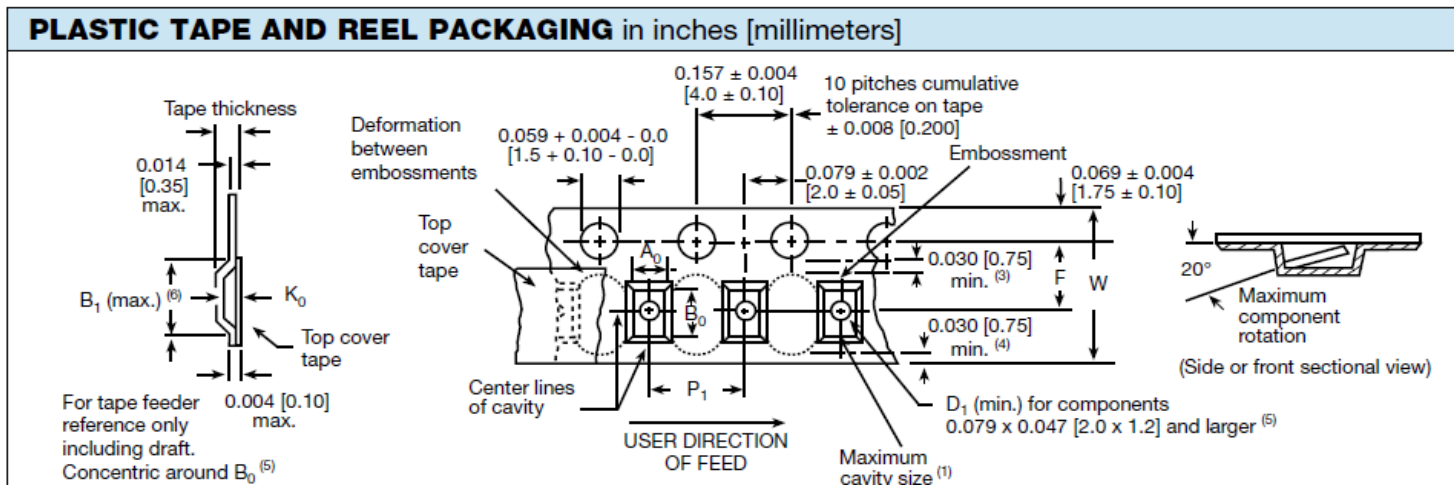
Boon Hooi Tan  
37A Tampines Street 92 #07-01  
Singapore Singapore 528886  
Boonhooi.Tan@Vishay.com  
Phone: + 65 - 6780 - 7759  
Fax: + 65 - 6780 - 7749

Vishay Intertechnology, Inc.

Corporate Headquarters 63 Lincoln Highway, Malvern, PA 19355-2143 U.S.A. Phone (610) 644-1300 Fax (610) 296-0657 [www.vishay.com](http://www.vishay.com)

ONE OF THE WORLD'S LARGEST MANUFACTURERS OF DISCRETE SEMICONDUCTORS AND PASSIVE COMPONENT

### TL8, B0 case tape change Rev. 1



CARRIER TAPE DIMENSIONS in inches [millimeters] FOR TL8, CASE CODE B0							
TAPE	TAPE WIDTH	B1 (MAX)	D1 (MIN)	F	K0 (MAX)	P1	W
CURRENTLY USED	12mm	0.181 [4.61]	0.059 [1.5]	0.217 [5.5]	0.049 [1.25]	0.157 [4.0]	0.472 [12.0]
PROPOSED (NEW)	8mm	0.157 [4.0]	0.039 [1.0]	0.138 [3.5]	0.057 [1.45]	0.157 [4.0]	0.315 [8.0]