

## Description

Single pole switch/thermal circuit breaker (S-type TO CBE to EN 60934) with tease-free, trip-free, snap action mechanism. Designed for snap-in panel mounting utilising round hole or industry standard fuse-holder cut-out dimensions. Featuring an ergonomically styled two colour actuator with indicator band clearly showing the tripped/OFF position.

Approved to CBE standard EN 60934 (IEC 60934).

## Typical applications

Motors, transformers, solenoids, extra low voltage systems, household and office machines, instrumentation, marine applications, mobile homes.

## Ordering information

Type No.	
1110	snap in panel mounting
<b>Mounting</b>	
F1	panel thickness 0.8...1.6 mm (.031 -.063 in)
F2	panel thickness 1.8...3 mm (.071-.118 in)
<b>Number of poles</b>	
1	1 pole protected
<b>Actuator style</b>	
2	black push button/white indicator ring, standard Other indicator ring colours are available to special order
<b>Terminal design</b>	
P1	blade terminals A6.3-0.8 (QC .250)
<b>Characteristic curve</b>	
M1	medium delay
<b>Current ratings</b>	
0.05...16 A	
1110 - F1 1 2 - P1 M1 - 0.05 A = ordering example	

## Standard current ratings and typical internal resistance values

Current rating (A)	Internal resistance (Ω)	Current rating (A)	Internal resistance (Ω)
0.05	442	2	0.25
0.08	173	2.5	0.19
0.1	110	3	0.12
0.2	27.8	3.5	0.09
0.3	12.4	4	0.07
0.4	7.0	5	0.05
0.5	4.5	6	0.04
0.6	3.1	7	≤ 0.02
0.7	2.3	8	≤ 0.02
0.8	1.7	10	≤ 0.02
1	1.1	12	≤ 0.02
1.2	0.71	15	≤ 0.02
1.5	0.41	16	≤ 0.02
1.8	0.38		

## Approvals

Authority	Voltage ratings	Current ratings
BV	AC 250 V; DC 28 V	0.05...16 A
UL	AC 250 V	0.05...6 A
	AC 125 V	7...16 A
	DC 50 V	0.05...16 A
CSA	AC 250 V; DC 50 V	0.05...16 A
VDE	AC 250 V	0.05...10 A



1110-F1..

## Technical data

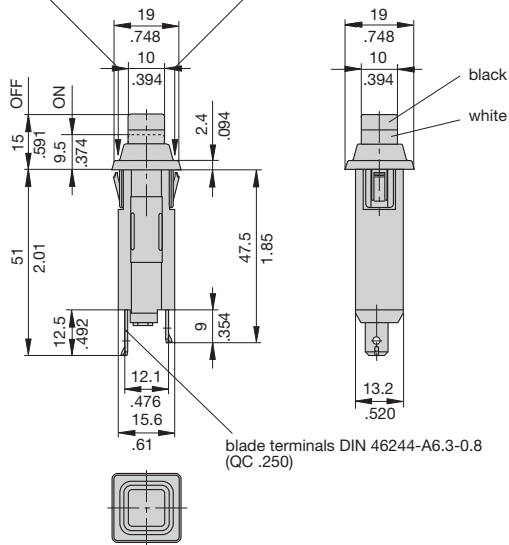
For further details please see chapter: Technical Information

Voltage rating	AC 250 V; DC 28 V (UL: AC 250 V; DC 50 V)		
Current rating	0.05...16 A		
Typical life	AC + DC		
	0.05...10 A	10,000 operations at 1 x I <sub>N</sub> , inductive	
	12...16 A	6,000 operations at 1 x I <sub>N</sub> , inductive	
Ambient temperature	-20...+60 °C (-4...+140 °F)		
Insulation co-ordination (IEC 60664 and 60664 A)	rated impulse	pollution degree	
	withstand voltage	2	
	2.5 kV	reinforced insulation in operating area	
Dielectric strength (IEC 60664 and 60664A) operating area	test voltage		
	AC 3,000 V		
Insulation resistance	> 100 MΩ (DC 500 V)		
Interrupting capacity I <sub>cn</sub>	AC 250 V:	0.05...16 A	8 x I <sub>N</sub>
	DC 28 V:	0.05...6 A	10 x I <sub>N</sub>
		7...10 A	200 A
		12...16 A	300 A
Interrupting capacity (UL 1077/EN60934 PC 1)	I <sub>N</sub>	U <sub>N</sub>	
		0.05...6 A	AC 250 V 1,000 A
		7...16 A	AC 125 V 1,000 A
		0.05...16 A	DC 50 V 1,000 A
Degree of protection (IEC 60529/DIN 40050)	operating area IP40 terminal area IP00		
Vibration	8 g (57-500 Hz)±0.61 mm (10-57 Hz), to IEC 60068-2-6, test Fc, 10 frequency cycles/axis		
Shock	30 g (11 ms) to IEC 60068-2-27, test Ea		
Corrosion	96 hours at 5 % salt mist, to IEC 60068-2-11, test Ka		
Humidity	240 hours at 95 % RH to IEC 60068-2-3, test Ca		
Mass	approx. 12 g		

## Dimensions

### 1110-F1.. / -F2..

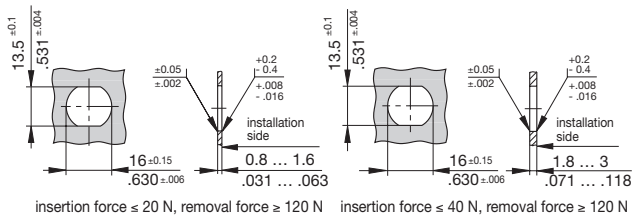
When installing the circuit breaker apply pressure on bezel only.



### Panel cut out

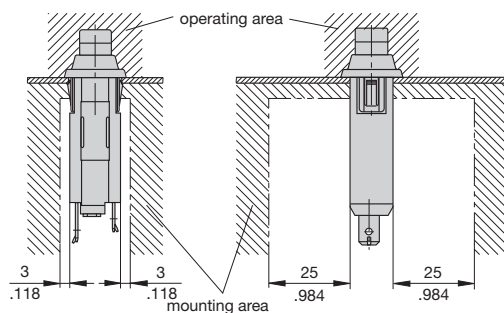
#### 1110-F1..-P.M1-...A

#### 1110-F2..-P.M1-...A

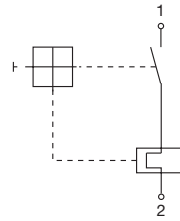


## Installation drawing

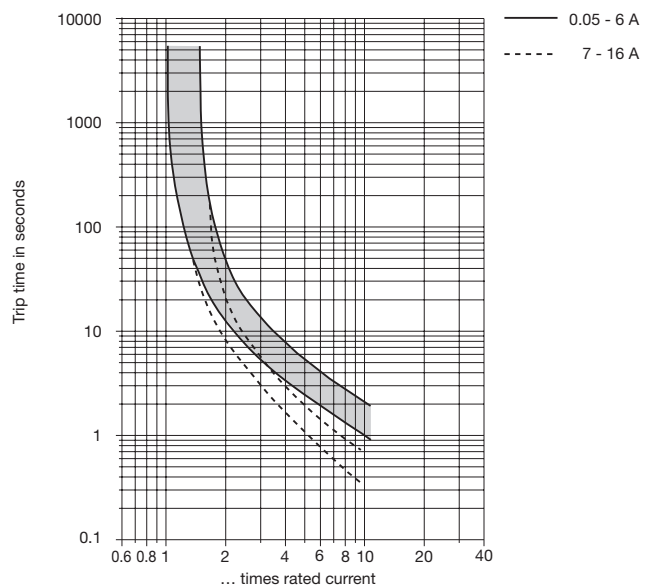
When installing the circuit breaker apply pressure on bezel only.



## Internal connection diagram



## Typical time/current characteristics at +23°C/+73.4°F



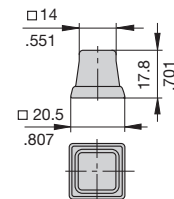
The time/current characteristic curve depends on the ambient temperature prevailing. In order to eliminate nuisance tripping, please multiply the circuit breaker current ratings by the derating factor shown below. See also section 9 – Technical information.

Ambient temperature °F	-4	+14	+32	+73.4	+104	+122	+140
°C	-20	-10	0	+23	+40	+50	+60
Derating factors	0.76	0.84	0.92	1	1.08	1.16	1.24

## Accessories - Water splash covers (transparent)

### Push button splash cover transparent Y 304 745 01 (IP64)

When using splash cover please note that the max. panel thickness is reduced by 0.5 mm/0.02 in.



### Terminal shroud Y 305 602 01 (IP64)

