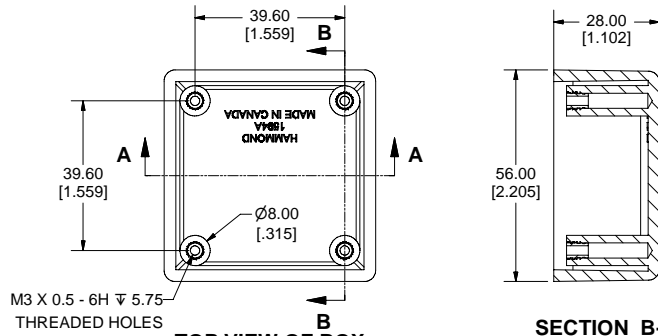
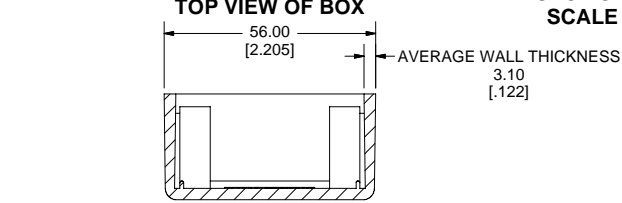


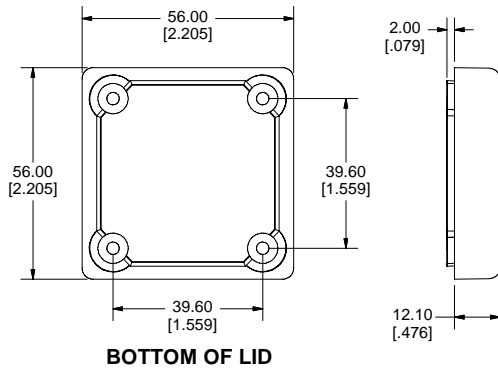
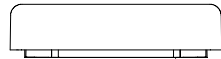
DRAFT ANGLE OF APPROXIMATELY 1°



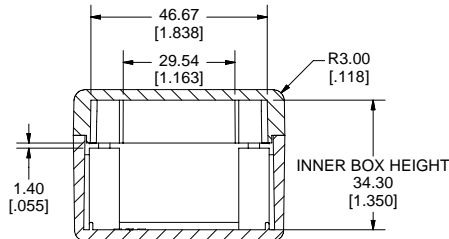
**SECTION B-B  
SCALE 1 : 1**



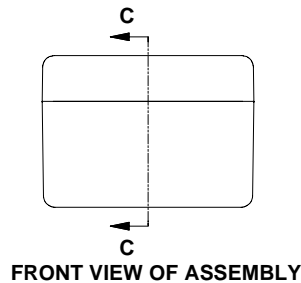
**SECTION A-A  
SCALE 1 : 1**



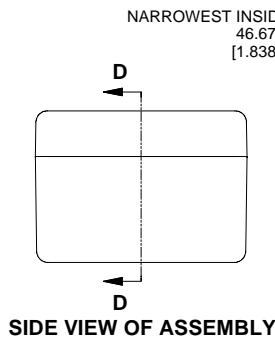
**BOTTOM OF LID**



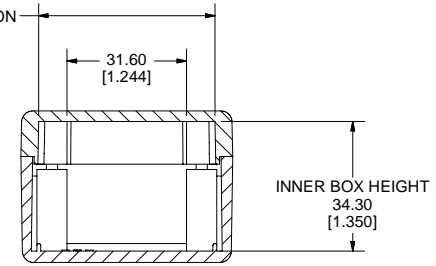
**SECTION C-C  
SCALE 1 : 1**



**FRONT VIEW OF ASSEMBLY**



**SIDE VIEW OF ASSEMBLY**



**SECTION D-D  
SCALE 1 : 1**



Enclosures can be Factory Modified ( Milling, Drilling, Printing etc. )  
Solid models of this enclosure available in STEP or IGES.  
Contact Factory [mjm@hammondmfg.com](mailto:mjm@hammondmfg.com)

<b>1594A Enclosure</b>	
<b>FLAME RETARDANT ABS</b>	
Black - RAL 9011	1594ABK
Grey - RAL 7018	1594AGY
<b>NON-FLAME RETARDANT ABS</b>	
Grey - RAL 7035	1594ASGY
Black - RAL 9011	1594ASBK
<b>LIQUID RESISTANT</b>	
Black - RAL 9011	1594AWBK
<b>ACCESSORIES</b>	
Cover Screws Non-Flame Retardant (pkg. 100) [#4 x 1" Self-Tapping]	1594TS100
Cover Screws Flame Retardant (pkg. 100) [M3 - 0.5 x 20mm]	1594MS100
Cover Screws Liquid Resistant (pkg. 100) [M3 - 0.5 x 20mm]	1594WMS100
Circuit Board Holders	(See 1594Z Series)



**HAMMOND  
MANUFACTURING™**

**1594A**

[www.hammondmfg.com](http://www.hammondmfg.com)