

⚠ WARNING

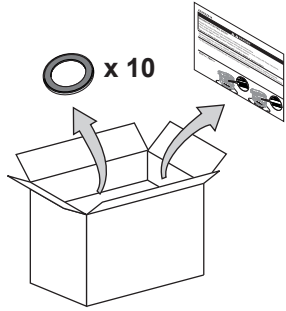
UNEXPECTED EQUIPMENT OPERATION

- Install ZB4FBZ014 following the installation conditions described below.
- Hole shape and diameter, tightening torques and SPACER orientation must comply with these instructions.
- Ground ZB4FBZ100 when installed on isolating support.
- Periodically check the tightening torque.

Failure to follow these instructions can result in death or serious injury.

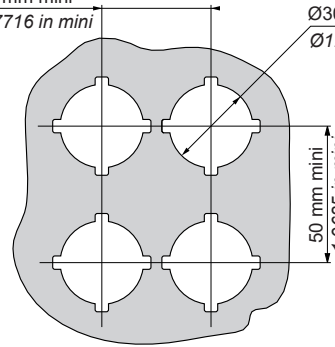
Not compatible with accessories from range 9001.

For EU Declaration of Conformity see: www.se.com



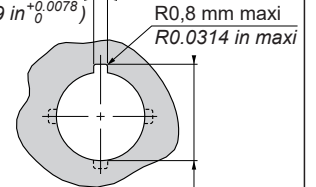
For use on flat surface of a type 4, type 4X, type 12, and type 13 enclosure.

45 mm mini
1.7716 in mini



Ø30,75 mm ± 0,25 recommended (Ø1.2106 in ± 0.0098 recommended)
Ø1.2106 in ± 0.0098 recommended (Ø1.2007 in^{+0.0196})

4,9 mm ± 0,1 recommended (4,8 mm^{+0.2})
0.1929 in ± 0.0039 recommended (0.1889 in^{+0.0078})



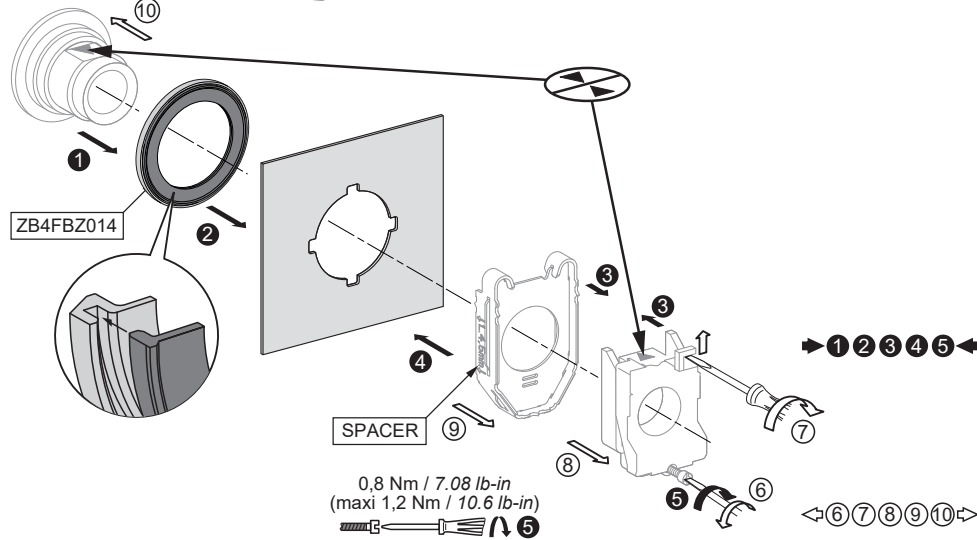
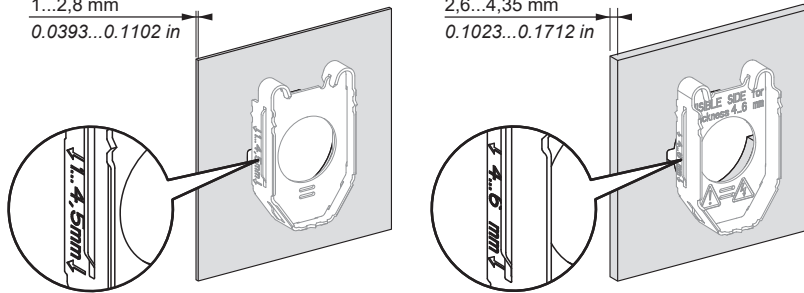
33,25 mm ± 0,25 recommended (33 mm^{+0.5})
1.3090 in ± 0.0098 recommended (1.2992 in^{+0.0196})

Electrical equipment should be installed, operated, serviced, and maintained only by qualified personnel. No responsibility is assumed by Schneider Electric for any consequences arising out of the use of this material.

XB4F... / ZB4F... Standard mounting

1...2,8 mm
0.0393...0.1102 in

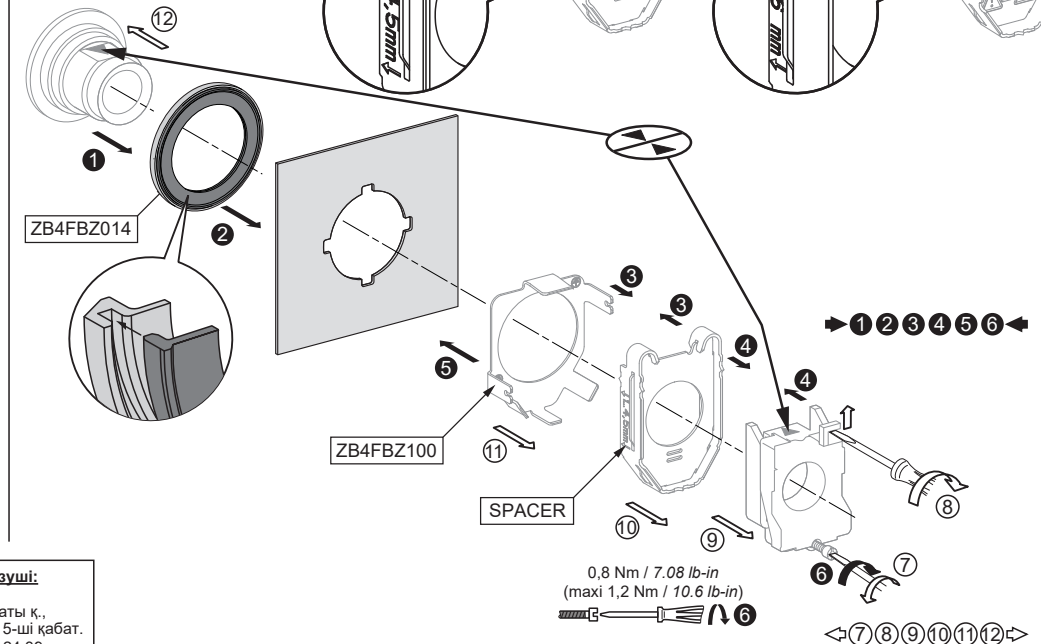
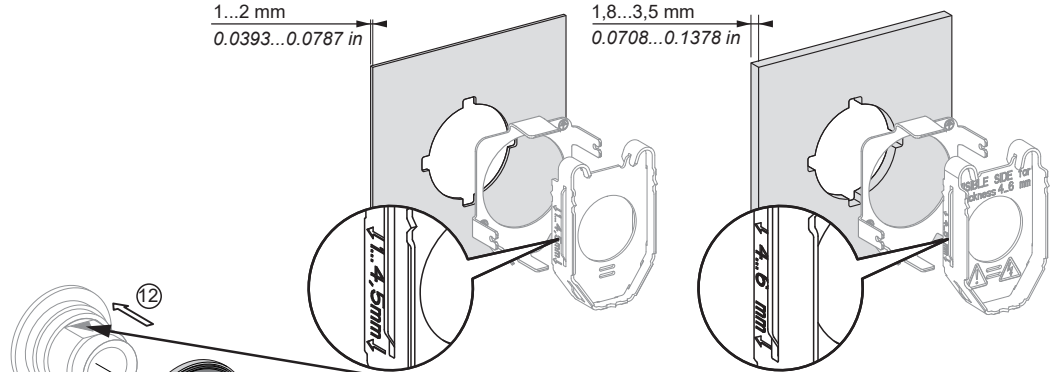
2,6...4,35 mm
0.1023...0.1712 in



XB4F... / ZB4F... Mounting with accessory ZB4FBZ100

1...2 mm
0.0393...0.0787 in

1,8...3,5 mm
0.0708...0.1378 in



UK Representative:
Schneider Electric Limited
Stafford Park 5
Telford, TF3 3BL, UK

Уполномоченный поставщик в РФ:
АО «Шнейдер Электрик»
Адрес: 127018, Россия, г. Москва,
ул. Двинцев, д.12, корп.1
Тел.: +7 (495) 777 99 90 - Факс +7 (495) 777 99 92

Қазақстан Республикасында ресми жеткізуші:
ЖШС «Шнейдер Электрик»
Мекен-жайы: Қазақстан Республикасы, Алматы қ.,
Достық даң., «Кен Дала» Бизнес Орталығы, 5-ші қабат.
Тел.: +7 (727) 357 23 57 - Факс.: +7(727) 357 24 39

⚠ WARNING

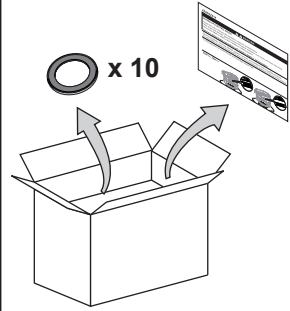
UNEXPECTED EQUIPMENT OPERATION

- Install ZB4FBZ014 following the installation conditions described below.
- Hole shape and diameter, tightening torques must comply with these instructions.
- Use ZB5AZ905 to tighten the nut.
- Periodically check the tightening torque.

Failure to follow these instructions can result in death or serious injury.

Not compatible with accessories from range 9001.

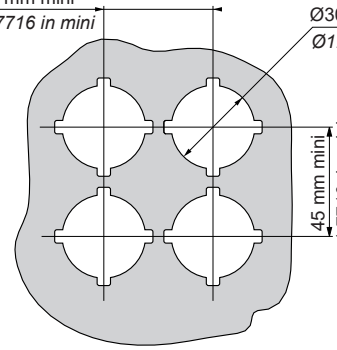
For EU Declaration of Conformity see: www.schneider-electric.com



Electrical equipment should be installed, operated, serviced, and maintained only by qualified personnel. No responsibility is assumed by Schneider Electric for any consequences arising out of the use of this material.

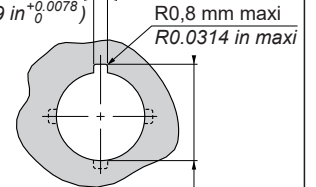
For use on flat surface of a type 4, type 4X, type 12, and type 13 enclosure.

45 mm mini
1.7716 in mini



$\varnothing 30,75 \text{ mm} \pm 0,25$ recommended ($\varnothing 30,5 \text{ mm}^{+0,5}$)
 $\varnothing 1.2106 \text{ in} \pm 0.0098$ recommended ($\varnothing 1.2007 \text{ in}^{+0,0196}$)

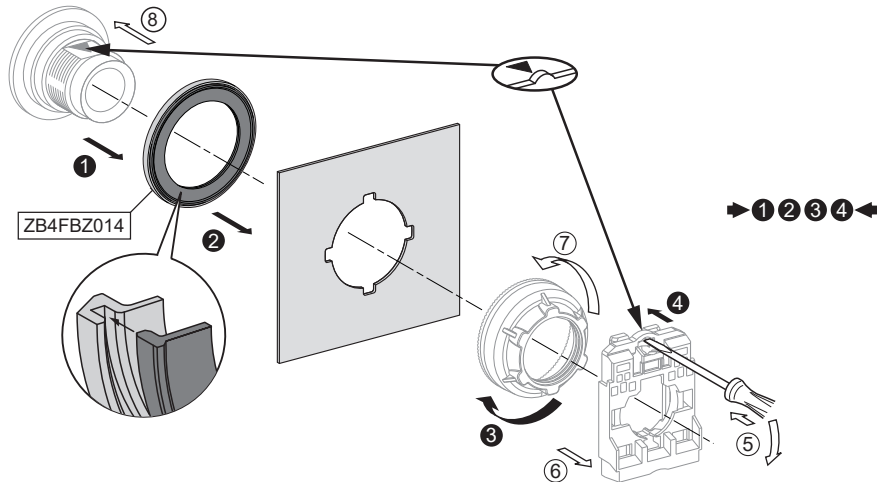
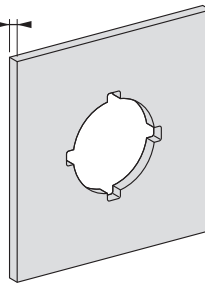
$4,9 \text{ mm} \pm 0,1$ recommended ($4,8 \text{ mm}^{+0,2}$)
 $0.1929 \text{ in} \pm 0.0039$ recommended ($0.1889 \text{ in}^{+0,0078}$)



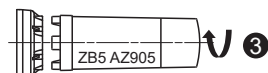
$33,25 \text{ mm} \pm 0,25$ recommended ($33 \text{ mm}^{+0,5}$)
 $1.3090 \text{ in} \pm 0.0098$ recommended ($1.2992 \text{ in}^{+0,0196}$)

XB5F... / ZB5F... Standard mounting

1...4,5 mm
0.0393...0.1771 in



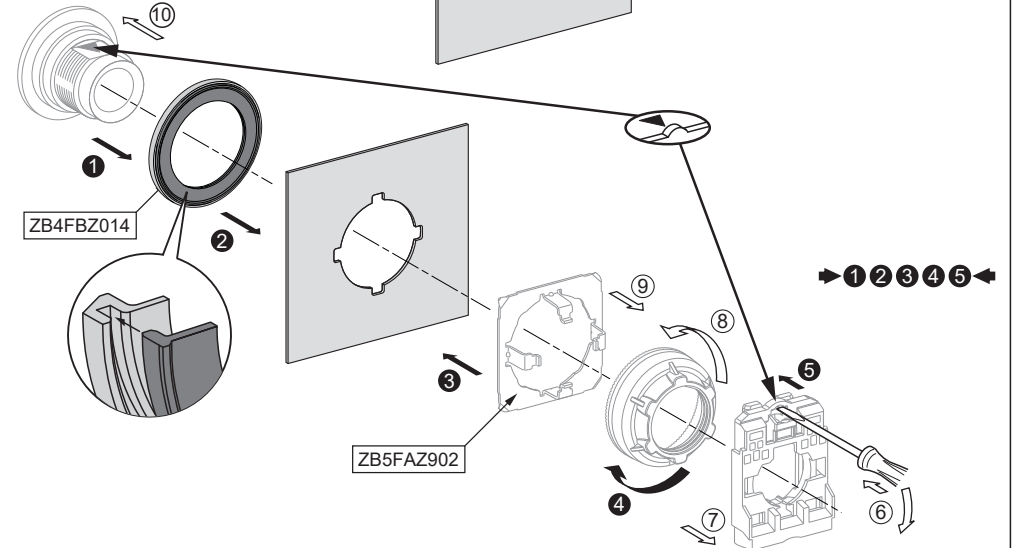
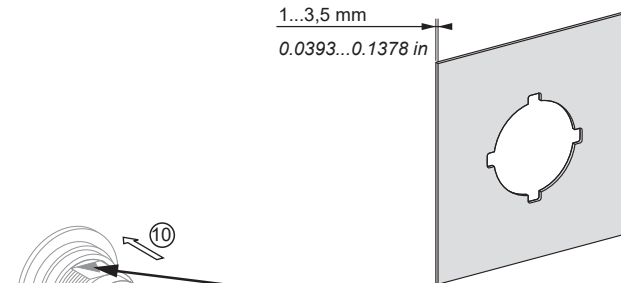
2,2 Nm±0,2 / 19.5 lb-in±1.8



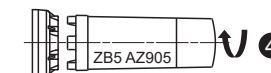
↔ 5 6 7 8 ↔

XB5F... / ZB5F... Mounting with accessory ZB5FAZ902

1...3,5 mm
0.0393...0.1378 in



2,2 Nm±0,2 / 19.5 lb-in±1.8



↔ 6 7 8 9 10 ↔